

# MODULAR RAMP SYSTEM

## GUIDELINES & SPECIFICATIONS MANUAL

PRODUCT INFORMATION FOR SALES STAFF & PROVIDERS



# TABLE OF CONTENTS

INTRODUCTION.....	3
COMPANY PROFILE .....	3
FEATURES & BENEFITS .....	3
ADA OVERVIEW.....	4
WHERE DO MODULAR RAMPS FIT IN? .....	4-6
SITE EVALUATION.....	7-9
SITE EVALUATION WORKSHEET .....	8
SITE EVALUATION, ENTRY REFERENCE SHEET .....	9
SPECIFICATIONS.....	10
ARCHITECTURAL SPECS .....	11-13
WARRANTY & REGISTRATION.....	14
SAFETY & MAINTENANCE .....	15

# INTRODUCTION

The EZ-ACCESS<sup>®</sup> MODULAR Ramp System was built to address the accessibility needs of the residential and light commercial market. We have created a whole new concept for designing, ordering, and installing the perfect modular ramp system. Particular attention to appearance, ease of installation, and durability are key to our design.

We invite you to read our manual and see for yourself how easy ordering and installing the EZ-ACCESS MODULAR ramp system really is. You'll be reassured by the quality and enjoy peace of mind knowing that your freedom is just a ramp away.

## COMPANY PROFILE

Since 1984, we have been in the business of manufacturing and providing mobility and personal care accessories to the home health care industry. It started with just one product, the EZ-SHAMPOO<sup>®</sup>, and the company's two founders; Glenda Everard and her daughter, Deanne Sandvold.

Today, EZ-ACCESS<sup>®</sup> is the leading manufacturer of portable wheelchair ramps, having introduced, trademarked, and manufactured our line of EZ-ACCESS portable ramps for over 20 years. We are focused on supporting our customers through a commitment to quality, customer service excellence, and distribution support.

# FEATURES & BENEFITS

## CONSTRUCTION

- Designed with ADA specifications, section 4.8, in mind
- Sides are finished and flush, with no hazardous nuts or bolts protruding onto the usable ramp area
- Ramps and platforms are made of lightweight and rust-resistant aluminum
- All components feature captured fasteners
- Extruded skid resistant surface
- Integrated independently adjustable supports
- 850 pound weight capacity
- Patented rail joiners require no drilling or riveting
- Welded construction

## CONVENIENCE

- Unmatched customer service! Whether you have a simple question or need help with your ramp system design, we are here for you
- Easy installation! Set up a 24' system, including handrails, in less than 30 minutes
- Configure a ramp system for almost any site
- Ramps, handrails, and platforms are pre-assembled
- No anchoring into concrete footings is required
- Low maintenance
- Universal Platforms allow change of direction
- Quick shipping

## ATTRACTIVE

- Powder coated handrails insulates from hot/cold, improves grip, and ensures superior appearance
- Architecturally designed for a clean, modern appearance
- An asset that can be moved, reused, or resold

# ADA OVERVIEW

The Americans with Disabilities Act (ADA) was set forth in 1990. The ADA recognizes and protects the civil rights of individuals with disabilities, enabling them to share in and contribute to the vitality of American life. The ADA means access to:

- Jobs
- Public accommodations
- Government services
- Public transportation
- Telecommunications

ADA's regulations are issued and enforced by both the Department of Justice and the Department of Transportation. The Americans with Disabilities Act Accessibility Guidelines (ADAAG) of the U.S. Architectural and Transportation Compliance Board (ATBCB) require public facilities and grounds to comply with design, construction, and installation standards. Although not binding to personal residences, these standards should be taken into consideration when purchasing a modular ramp.

## WHERE DO MODULAR RAMPS FIT IN?

As it relates to ramps, the ADAAG specifies how steep (incline) a ramp must be, ramp width, handrail design, etc. The EZ-ACCESS Modular Ramp System was designed with the ADAAG requirements in mind. Although a ramp system installed at a private residence typically is not obligated to meet ADAAG requirements, by following these guidelines the end user is assured acceptable levels of convenience, comfort, and safety:

### 4.8.1 GENERAL

Any part of an accessible route with a slope greater than 1:20 shall be considered a ramp and shall comply with 4.8.

### 4.8.2 SLOPE AND RISE

The maximum slope of a ramp in new construction shall be 1:12. The maximum rise for any single ramp run shall be 30-inches (760 mm). Curb ramps and ramps to be constructed on existing sites or in existing buildings or facilities shall be permitted to have slopes and rises provided space limitations prohibit use of a 1:12 may have slopes and rises as follows (4.1.6):

- 1) A slope between 1:10 and 1:12 is allowed for a maximum rise of 6-inches.
- 2) A slope between 1:8 and 1:10 is allowed for a maximum rise of 3-inches. A slope steeper than 1:8 is not allowed.

### 4.8.3 CLEAR WIDTH

The minimum clear width of a ramp shall be 36-inches (915 mm) (see FIG A).

### 4.8.4 LANDING

Ramps shall have level landings (platforms) at the bottom and top of each ramp and each ramp run. Landings shall have the following features:

- 1) Landing width shall be at least as wide as the ramp run leading to it.
- 2) Landing length shall be 60 inches (1525 mm) minimum clear.
- 3) Ramps that change direction at landings (platforms) shall have a 5'x 5' (1525 mm by 1525 mm) minimum landing (platform).
- 4) If a doorway is located at a landing (platform), then the area in front of the doorway shall comply with 4.13.6.

### 4.13.6 MANEUVERING CLEARANCES AT DOORS

Minimum maneuvering clearances at doors that are not automatic or power assisted shall be as shown in FIG A. The floor or ground area within the required clearances shall be level and clear.

#### **4.8.5 HANDRAILS**

If a ramp run has a rise greater than 6-inches (150 mm) or a run greater than 72-inches (1833 mm), then it shall have handrails on both sides. Handrails shall comply with 4.26 and have the following features:

- 1) Handrails shall be provided along both sides of ramp segments. The inside handrail on switchback (turn back platform) or dogleg (turn platform) ramps shall always be continuous.
- 2) If handrails are not continuous, they shall extend at least 12-inches (305 mm) beyond the top and bottom of the ramp segment and shall be parallel with the floor or ground surface (see FIG A).
- 3) The clear space between the handrail and the wall shall be 1½-inches (38 mm).
- 4) Gripping surfaces shall be continuous.
- 5) Top of handrail gripping surface shall be mounted between 34" and 38" (865 mm and 965 mm) above ramp surfaces.
- 6) Ends of handrails shall be either rounded or returned smoothly to floor, wall, or post.
- 7) Handrails shall not rotate within their fittings.

#### **4.8.6 CROSS SLOPE AND SURFACES**

The cross slope of ramp surfaces shall be no greater than 1:50; ramp surfaces shall comply with 4.5:

##### **4.5.1 GENERAL**

Ground and floor surfaces along accessible routes and in accessible rooms and spaces including floors, walks, ramps, stairs, and curb ramps, shall be stable, firm, slip-resistant and comply with 4.5.

#### **4.8.7 EDGE PROTECTION**

Ramps and landings (platforms) with drop-offs shall have curbs, walls, railings, or projecting surfaces that prevent people from slipping off the ramp. Curbs shall be a minimum of 2-inches (50 mm) high (see FIG A).

#### **4.8.8 OUTDOOR CONDITIONS**

Outdoor ramps and their approaches shall be designed so that water will not accumulate on walking surfaces.

THE ABOVE TEXT WAS TAKEN FROM

**CODE OF FEDERAL REGULATIONS, ADA STANDARDS FOR ACCESSIBLE DESIGN 28CFR PART 36**

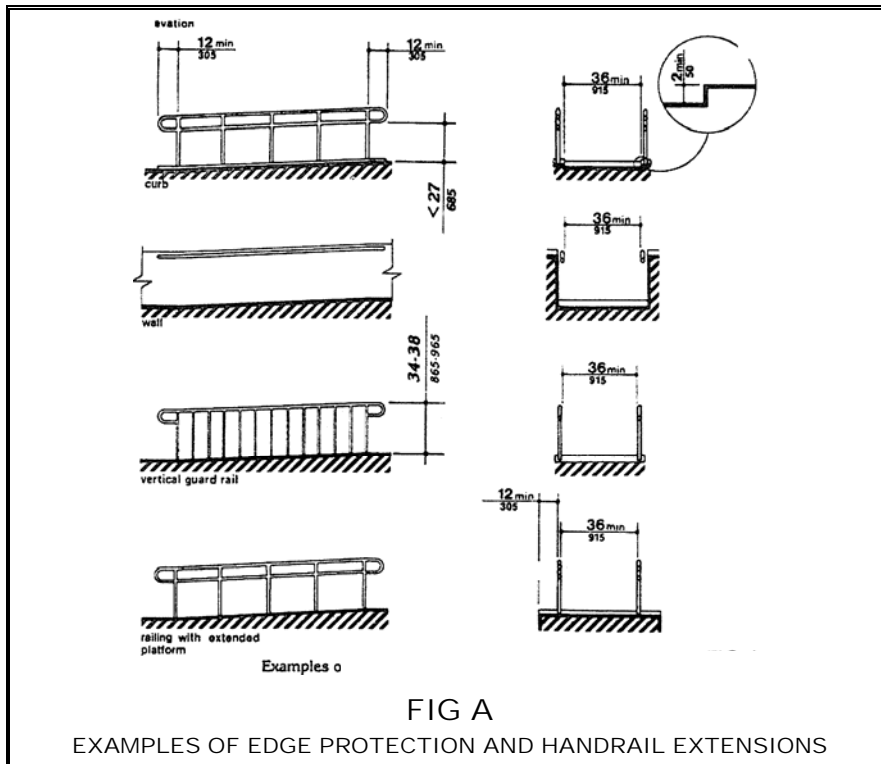


FIG A  
EXAMPLES OF EDGE PROTECTION AND HANDRAIL EXTENSIONS

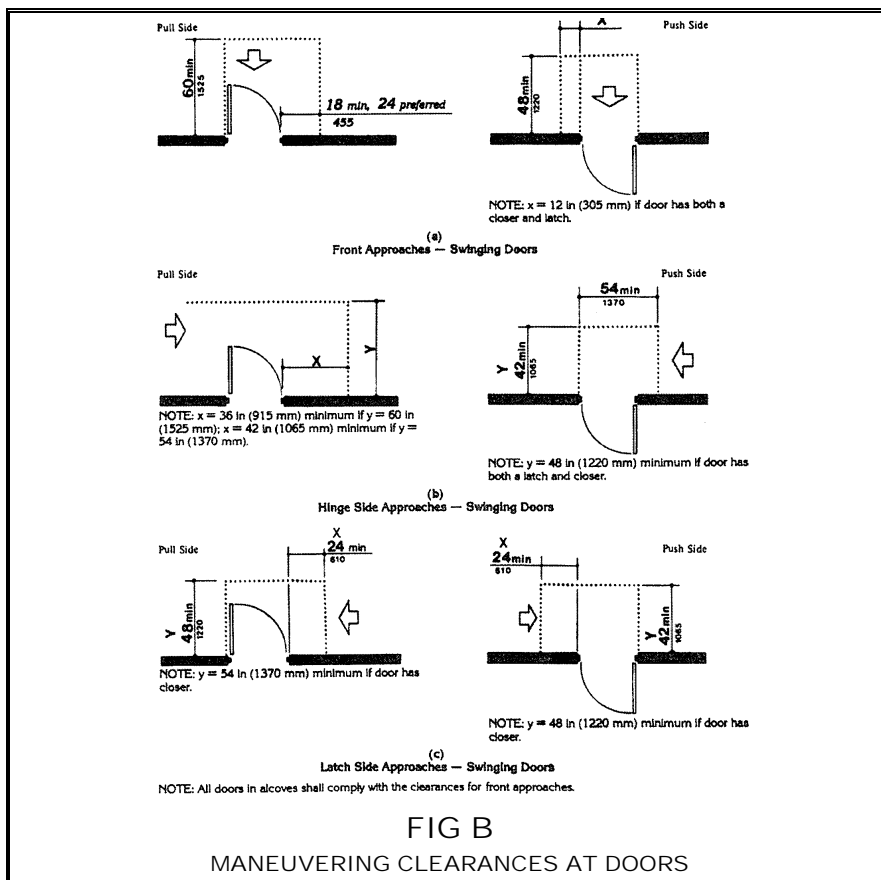


FIG B  
MANEUVERING CLEARANCES AT DOORS

# SITE EVALUATION

1) **DISCUSS THE NEEDS OF THE CUSTOMER**

Evaluate the ramp site and explain to your customer the guidelines relating to a 1:12 slope (12 inches of ramp to one inch of rise, or 4.8°). There are times that a site may not allow for this incline; this and other considerations need to be addressed for each site evaluation.

2) **PICK A START AND END POINT FOR THE RAMP**

What is the approximate workable area that the ramp system can occupy? For a wheelchair to transition smoothly onto or off from the ramp, the top and bottom of the ramp should be placed on a firm, level surface. Are platforms or landing pads needed? (Guidelines suggest a 5' x 5' maneuvering area, which can be either a porch or platform.) Consider these variations:

**A) CONNECTS TO EXISTING PORCH**

If the top of the ramp connects to a porch, account for the door swing and chair maneuvering room (FIG B).

**B) OVER AN EXISTING PORCH OR STEPS**

If the platform is over an existing porch, be aware that the deck of the platform will be 3½ -inches higher than the surface of the porch or steps. If the door (or screen door) swings outward, the platform will not allow the door to open. If this happens, two options are available:

- i. A custom porch platform is available that adds only 1½" to the height of the porch surface.
- ii. Mount the platform flush to the front edge of the porch.

**C) DIRECTLY AGAINST A DOOR (WITHOUT PORCH)**

If a platform used is directly against a door it is best to keep the platform surface even with the doorway threshold.

**D) IT IS RECOMMENDED NOT TO CONNECT A RAMP DIRECTLY TO A DOOR WITHOUT A LANDING.**

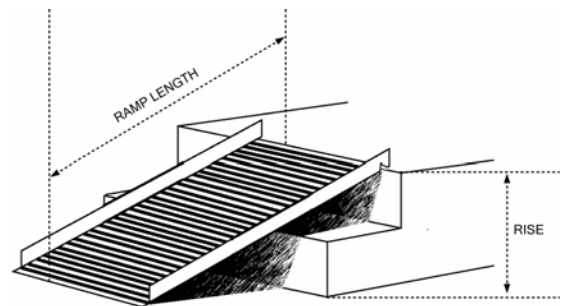
This does not allow safe maneuvering room to open the door.

3) **IS THE PORCH WOOD OR CONCRETE?**

The upper end of the ramp or platform must be attached to the porch. Fasteners are supplied that will attach to either wood or concrete (a masonry bit or rotary hammer will be necessary for the concrete fasteners).

4) **MEASURE THE TOTAL RISE (see diagram at right)**

**A)** The length of the ramp needed is determined by the total rise (the vertical height of the area requiring a ramp). The total rise is the difference in height between the top of the steps or landing and the ground. Using a builder's level or tape measure, determine the rise and keep in mind that this measurement always includes door thresholds, steps, and all slopes down to the lowest area (uneven yard, etc.).



**B)** Once this height is determined, (i.e., 40" rise), measure out 40' to see if there are additional drops or difference in rise due to uneven yard, etc.

5) **CONSIDER HANDRAILS**

EZ-ACCESS, along with most regulatory agencies and building codes, recommends the use of handrails for all modular ramps. A minimum of 1½" of outside clearance is needed for finger allowance (see ADA 4.8.5 for additional information on handrails).

When handrails are attached, the overall outside width of the ramp is 43" (includes handrails as well as supports). When measuring for the system, be sure to allow for 43".

6) **LOOK FOR OBSTACLES**

Describe any porch railings, trees, shrubs, etc. that may interfere with the ramps, platforms, platform support tubes, rails, and ramp support assemblies.

7) **COMBINED LENGTH**

What is the combined length of ramp system (NOT including platforms)?

8) **DETERMINE SURFACE**

What type of surface is at the bottom of the ramp? Is it level and suitable for wheelchair use?

9) **COMPLETE "SITE EVALUATION WORKSHEET" and QUOTE RAMP**

# SITE EVALUATION WORKSHEET

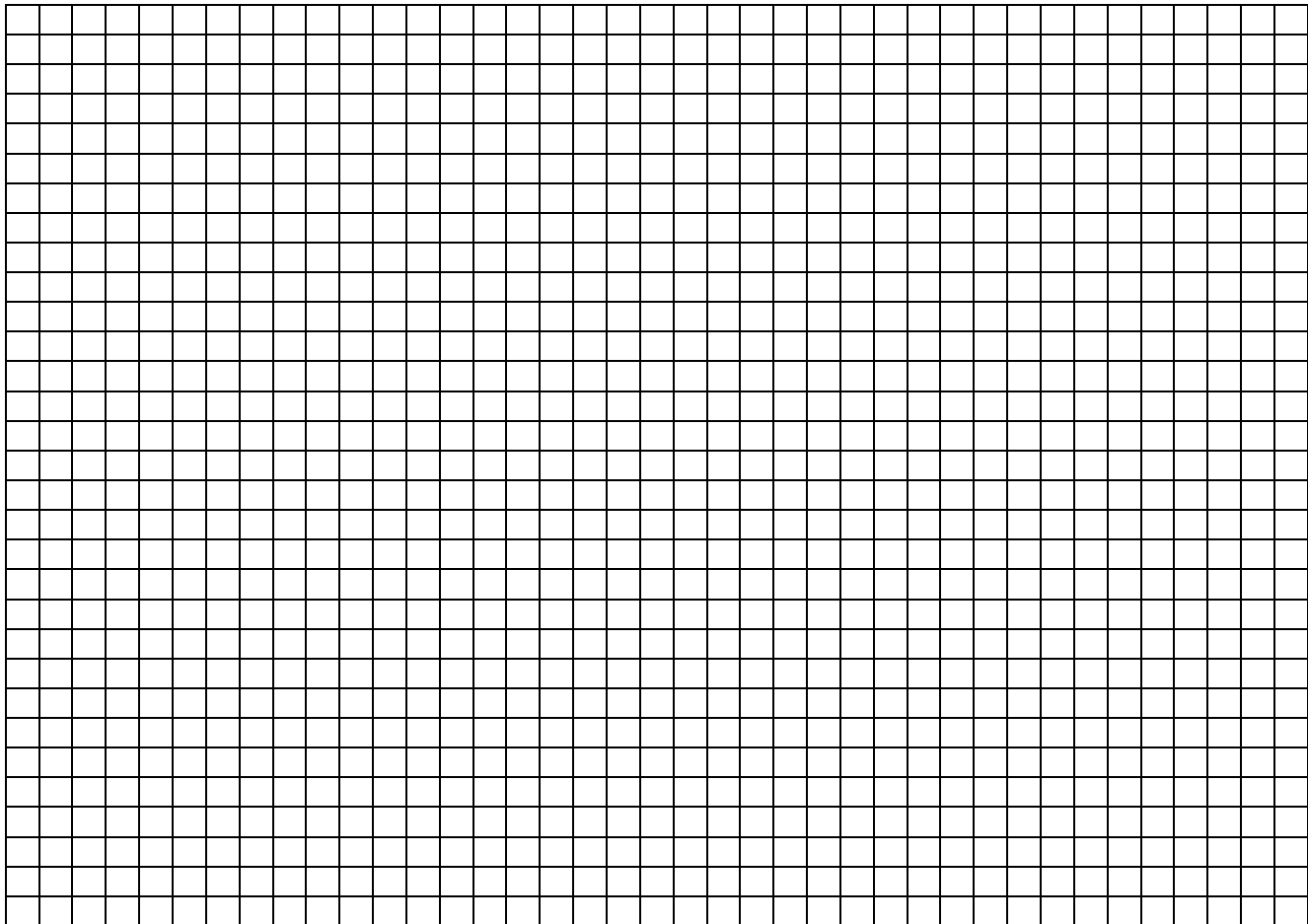
PROJECT # \_\_\_\_\_

SECTION 1 - JOB SITE & END-USER INFORMATION			
TODAY'S DATE	END USER LAST NAME	END USER FIRST NAME	TELEPHONE
JOB SITE ADDRESS		CITY	STATE ZIP

SECTION 2 - EVALUATOR INFORMATION			
EVALUATION DATE	EVALUATION COMPANY NAME	EVALUATOR'S NAME	TELEPHONE
EVALUATOR'S ADDRESS		CITY	STATE ZIP

SECTION 3 - CONSIDER THE FOLLOWING			
TOTAL RISE	ENTRANCE	<input type="checkbox"/> FRONT	<input type="checkbox"/> REAR
		<input type="checkbox"/> SIDE	<input type="checkbox"/> GARAGE

SCALE: 1 SQUARE = 1 FOOT (BE SURE TO NOTE OBSTACLES SUCH AS DRIVEWAY, SIDEWALKS, TREES, SHRUBS, ETC.)



NOTES



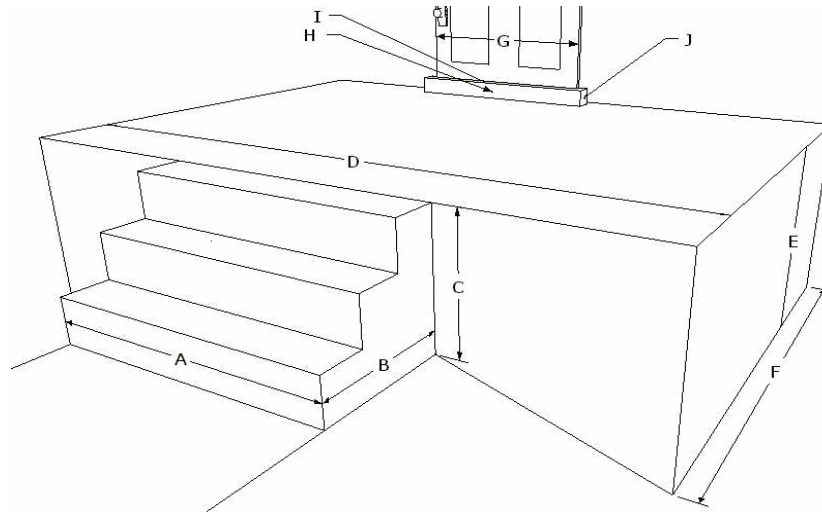
# ENTRY REFERENCE WORKSHEET

PROJECT # \_\_\_\_\_

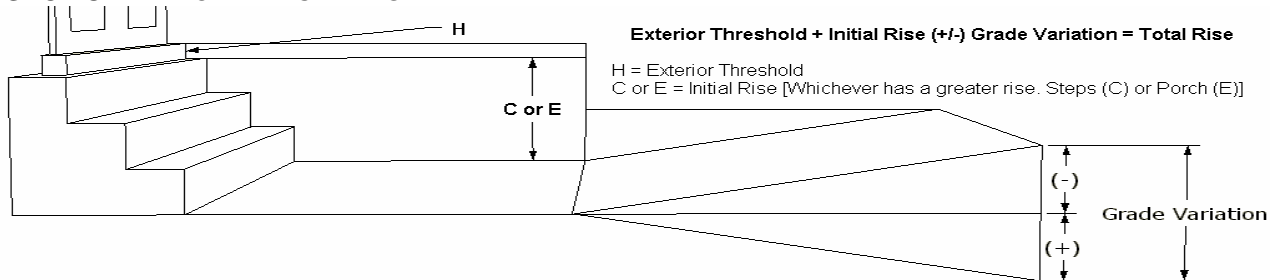
SECTION 1 – EVALUATOR'S NAME	SECTION 2 – END USER NAME
------------------------------	---------------------------

**NOTE:** All measurements that do not apply to the entry are to be given a value of 0

### SECTION 3 – ENTRY DIAGRAM



### SECTION 4 – TOTAL RISE DIAGRAM



### SECTION 5 - MEASUREMENTS

- WIDTH OF STEPS (or between the hand rail) ..... A= \_\_\_\_\_
- DEPTH OF STEPS ..... B= \_\_\_\_\_
- RISE OF STEPS ..... C= \_\_\_\_\_
- WIDTH OF PORCH (if differs from steps) ..... D= \_\_\_\_\_
- RISE OF PORCH (if differs form steps) ..... E= \_\_\_\_\_
- DEPTH OF PORCH ..... F= \_\_\_\_\_
- WIDTH OF DOOR (usable space) ..... G= \_\_\_\_\_
- RISE OF EXTERIOR THRESHOLD ..... H= \_\_\_\_\_
- RISE OF INTERIOR THRESHOLD ..... I= \_\_\_\_\_
- DEPTH OF THRESHOLD ..... J= \_\_\_\_\_

### SECTION 6 – CLARIFYING QUESTIONS

- RISE OF EXTERIOR THRESHOLD                    H= \_\_\_\_\_
- INITIAL RISE OF STEPS/PORCH            +C or E= \_\_\_\_\_
- \* GRADE VARIATION (if any)            + or - \_\_\_\_\_
- TOTAL RISE    = \_\_\_\_\_
- IS A BRIDGE PLATE REQUIRED? (yes or no)    \_\_\_\_\_
- THE DOOR OPENS (in or out/left or right)    \_\_\_\_\_

\* Any ground variations should be added (decline) or subtracted (incline) from the total rise.

EZ-ACCESS, along with most regulatory agencies, recommend 1-foot of ramp run per 1-inch of rise in height (1:12 ratio). For example, if a porch and steps have a total rise of 20-inches, a ramp with a 20-foot run would be required. Please note that this does not include platforms that may be necessary for the ramp system.

© 2007 Homecare Products, Inc. All rights reserved. All text and images contained on this document are proprietary and may not be shared, modified, distributed, reproduced, or used without the express written permission of EZ-ACCESS.

# SPECIFICATIONS

## RAMP SECTIONS & HANDRAILS

	4' RAMP WITH HANDRAILS	6' RAMP WITH HANDRAILS	8' RAMP WITH HANDRAILS	10' RAMP WITH HANDRAILS	5' X 5' TURN/STRAIGHT PLATFORM	5' X 8' TURN BACK PLATFORM (2 pieces)
Made of aluminum	✓	✓	✓	✓	✓	✓
Raised tread surface	✓	✓	✓	✓	✓	✓
Weight (lbs.)	57	76	95	117	102/104	172
Usable width	36"	36"	36"	36"	60"	96"
Weight capacity (lbs.)	850	850	850	850	850	850
Width to outside of handrail	40¼"				61"	97"
Width to outside of support feet	43¼"				68"	104"
Side rail height	2"					
Upper handrail height	34½"					
Lower handrail height	23½"					
Handrail diameter	1½"					
Minimum platform height ( <u>without</u> support tubes)					3.5"	3.5"

## TRANSITION PLATES

	TOP	BOTTOM
Made of aluminum	✓	✓
Raised tread surface	✓	✓
Length	3½"	6"
Width	35⅜"	35⅜"

# ARCHITECTURAL SPECS

## PART 1 – GENERAL

### 1.1 DESCRIPTION OF PRODUCT

- a. The product described herein, manufactured by HOMECARE PRODUCTS, INC. is an aluminum modular ramp consisting of ramp sections, platforms, rails, and supports that are selected to provide adequate ramping height.

### 1.2 QUALITY ASSURANCE

- a. The ramp may be subject to state, local, and city approval prior to installation and subject to inspection after installation.

### 1.3 REFERENCE CODES

- a. AMERICANS WITH DISABILITIES ACT HANDBOOK (published by the Equal Employment Opportunity Commission and the U.S. Department of Justice, publication EEOC-BK-19).

### 1.4 SUBMITTALS

- a. Shop drawings by contractor or manufacturers literature for approval. Drawings shall indicate layout, unit locations, unit identification, connections details, support items, and dimensions.
- b. A sample of the ramp treads showing slip resistant ramp surfaces.

### 1.5 DELIVERY AND HANDLING

- a. The contractor shall inspect the components upon delivery to ensure that the proper materials have been received and are not damaged or defective. Damaged or defective materials shall be removed from the site.

### 1.6 FIELD MEASUREMENTS

- a. Verify that field measurements are as indicated on the placement of plans.

### 1.7 WARRANTY

- a. The manufacturer shall have in writing a warranty against any defect in materials and workmanship for a period of three (3) years.

## PART 2 – OVERVIEW

### 2.1 OVERVIEW

- a. All EZ-ACCESS® modular ramps and accessories shall be prefabricated modular units as manufactured by EZ-ACCESS, a division of Homecare Products, Inc. These ramps shall be modular in design to allow for relocation.

### 2.2 MATERIALS

- a. ENGINEERING
  1. Ramp sections shall be designed for a minimum uniform live load of 150 pounds per square foot and a concentrated vertical load of 300 lbs. per square foot. Overall weight capacity of 850 lbs.
- b. MATERIALS
  1. Ramp sections shall be all aluminum construction alloy 6061 or 6063.
  2. All structural fasteners which attach ramps together and handrails to ramps shall be of grade 5 strength or higher, and shall include a zinc chromate finish.

**c. DESIGN AND FABRICATION**

1. Modular ramp units are to be built to shape, size, and finish as indicated on approved drawings.
2. Ramp surface is to be continuous, without gaps, and shall have an extruded skid resistant surface. Platform deck surface will be knurled to make skid resistance bi-directional.
3. Ramps shall be constructed of interlocking 1<sup>1</sup>/<sub>8</sub>" x 6" treads welded to the side rails.
4. All ramp sections shall have a 2" minimum curb height.
5. Top of all ramps must accept a full-width pivoting top adapter plate with a minimum 3" extension with a preformed angle between 8° and 12° with a skid resistant surface.
6. Bottom of all ramps must accept a full-width pivoting bevel with a skid-resistant surface from ramp to ground transition.
7. All fasteners shall be captured either on outside of ramp or underneath.
8. There shall be no fasteners protruding into the inner usable ramp or curb surface.

**2.3 PLATFORMS****a. ENGINEERING**

1. Platforms shall be designed for a minimum uniform live load of 100 pounds per square foot and a concentrated vertical load of 300 lbs per square foot. Overall weight capacity of 850 lbs.

**b. MATERIALS**

1. Platform sections shall be all aluminum construction alloy 6061 or 6063.

**c. DESIGN AND FABRICATION**

1. Platform units are to be built to shape, size, and finish as indicated on approved drawings.
2. Platform surface is to be continuous, without gaps, and shall have an extruded skid-resistant surface, knurled to make skid resistance bi-directional.
3. Platforms shall be constructed of interlocking 1<sup>1</sup>/<sub>8</sub>" x 6" treads welded to the side rails.
4. Platforms shall be designed for variable height adjustment.

**2.4 SUPPORT LEG ASSEMBLIES****a. ENGINEERING**

1. All support assemblies shall be designed to support the ramp and platform sections (uniform live load 2.2, 2.3).
2. Support assemblies shall be designed to hold ramp sections in alignment about all axis.
3. Support legs shall be of aluminum with a minimum wall thickness of .140".

**b. MATERIALS**

1. Support assemblies shall be aluminum construction.
2. All fasteners shall be grade 5 strength or higher with zinc chromate finish.

**c. DESIGN**

1. The legs of the support assemblies shall adjust for variable height and slope adjustment. The legs should be designed to swivel as to always be perpendicular to the ground and the load should remain vertical regardless of the slope.
2. All aluminum brackets shall be supplied for attachment of the ramps and/or platforms to the proper support assembly.
3. All legs shall have a foot pad.

## **2.5 HANDRAILS**

- a. MATERIALS
  - 1. Handrails shall be all aluminum construction alloy 6061 or 6063.
- b. DESIGN AND FABRICATION
  - 1. Handrails shall be provided along both sides of ramp segments. The inside handrail on turn platforms and dogleg ramps shall always be continuous. Gripping surfaces shall be continuous, without interruption by newel posts, other construction elements, or obstructions.
  - 2. Gripping system diameter shall be 1½”.
  - 3. The top of the handrail gripping surface shall be mounted between 30” and 34” above the ramp surface, and the top of the intermediate rail shall be mounted between 18” and 22” above the ramp surface.
  - 4. All handrail tubes shall be deburred and all sharp edges removed from all gripping surfaces.
  - 5. All handrails shall be supplied with a textured powder coat finish.

## **PART 3 – EXECUTION**

### **3.1 EXAMINATION**

- a. Verify site conditions are ready to receive work of this section.

### **3.2 ASSEMBLY**

- a. Install prefabricated aluminum ramps according to manufacturer’s instructions and the approved drawings without damage to shape or finish. Repair or replace any damaged units.
- b. Align and maintain uniform slope and horizontal joints as installation progresses.
- c. Fasten units in place as indicated in shop drawings or plans.
- d. Install railings according to manufacturer’s instructions and as shown on approved drawings.

### **3.3 MAINTENANCE**

- a. Ramp system must be maintained in accordance with Manufacturer’s instructions.

### **3.4 IMPORTANT NOTE**

- a. Specifications are subject to change without notice.



# LIMITED WARRANTY

1. EZ-ACCESS, a division of Homecare Products, Inc., herein referred to as Manufacturer, warrants that equipment is free from defects in material and workmanship under normal use and service. This limited warranty is effective for a period of 3 years from the date of original retail purchase (**original dated purchase receipt is required**) and applies to metal structure only (excludes powder coated finish and applied non-skid tread). No part of this warranty will apply to any equipment which has been subject to misuse, vandalism, negligence, alteration, accident, improper installation, or which has been repaired outside Manufacturer's place of business in any way as, in the reasonable judgment of Manufacturer, to adversely affect its performance and reliability, nor to normal deterioration due to wear, tear and exposure, corrosion, damage caused by rain, fire, earthquake or other natural causes or acts of nature.
2. The attached registration card must be mailed within 10 days of purchase. Manufacturer's obligation under this warranty is limited to repairing or replacing, at its option, equipment which is returned to Manufacturer's place of business with a return authorization number (SEE #4 FOR DETAILS) and which, upon examination, shall disclose to Manufacturer reasonable satisfaction to have been thus defective. Manufacturer will make the repair or replacement of defective parts under this warranty without charge for parts or labor.
3. If Manufacturer finds that any equipment has not provided the warranted service life, Manufacturer will, as its sole obligation and the user's sole remedy for breach of this warranty, repair or replace the unit, at its option, for a charge prorated on the following basis. The user will be allowed a credit against the list price of equivalent equipment at the time of return to Manufacturer, in proportion to the percentage of the warranted service life remaining at the time of return to Manufacturer. Purchaser will be responsible to pay the balance of the list price of equivalent equipment; and Manufacturer reserves the right to require payment prior to delivery of the repaired/replacement equipment. Manufacturer's whole warranty responsibilities are summarized below (return shipping/delivery charges to be paid by the Purchaser). NOTE: In calculating available credit, the remaining warranted service life will be rounded up or down to the nearest whole year. YEARS 0-1=unit repaired or replaced; YEARS 1-2=repair or 50% \$ credit (current list price multiplied by credit percentage); YEARS 2-3 =repair or 25% \$ credit (current list price multiplied by credit percentage).
4. If Purchaser discovers a defect, he/she must call Manufacturer at 253-249-1101 to request an RA# to return, at his/her own expense, the merchandise to Manufacturer. Prior to returning product, digital images of merchandise (close-up of defect, plus photo of overall product) must be submitted (an email address will be provided at the time an RA# is given). The duration of any implied warranty of merchantability or fitness for a particular purpose shall be limited in all respects to the duration of the limited warranty and the warranty described above shall be in lieu of any other express warranty. Some states do not allow limitation on how long an implied warranty will last so the above limitation may not apply to you. Manufacturer neither assumes nor authorizes any other person to assume for it any other liability in connection with Manufacturer.
5. The buyer's sole and exclusive remedy against the Manufacturer shall be for the repair or replacement of defective merchandise as provided above. No other remedy, including but not limited to, incidental or consequential damages for lost profits, lost sales, injury to property, or any other incidental or consequential loss shall be available to him/her. Labor to remove, ship, and/or reinstall ramp is not covered by manufacturer's warranty. Because some states do not allow the exclusion or limitation of incidental or consequential damages, the above limitation or exclusion may not apply to you. Before using, user shall determine the suitability of the product for its intended use and user assumes all risk and liability whatsoever in connection therewith.
6. This warranty gives you specific legal rights. You may also have other rights, which vary from state to state.

## WARRANTY REGISTRATION (SAMPLE ONLY)

TYPE SAMPLE REGISTRATION	MANUFACTURED DATE <i>SEE LABEL ON SIDE OF RAMP</i>
NAME	PHONE
ADDRESS	CITY, ST, ZIP
NAME OF DEALER	DEALER'S CITY, ST, ZIP
PRICE	DATE PURCHASED
USE	
WHAT INFLUENCED YOUR PURCHASE OF THIS RAMP?	
<input type="checkbox"/> RECOMMENDATION OF FRIEND	<input type="checkbox"/> DEALER RECOMMENDATION
<input type="checkbox"/> ADVERTISING	<input type="checkbox"/> PRODUCT REVIEW IN MAGAZINE
<input type="checkbox"/> OTHER (PLEASE EXPLAIN)	
Warranty is not valid unless postmarked within 10 days of purchase	

## SAFETY & MAINTENANCE

### PERIODIC MAINTENANCE AND SAFETY:

1. Caution should be used at all times. Proper maintenance and upkeep to the ramp surface is vital.
2. **IMPORTANT: USE ONLY WITH A QUALIFIED HELPER.**
3. Always use your lap belt.
4. It is important that you refer to your equipment's Owner Guide for the proper degree of incline/decline and chair direction before attempting ramp use. Never exceed its recommendations.
5. Periodically check and tighten any loose fasteners to ensure safety.
6. At all times, keep the ramp clear of dirt, leaves, and other debris that may accumulate on the surface. Simply sweeping the ramp or using a garden hose will usually suffice, but, if needed, a damp cloth or soft brush with soap and water can be used (*avoid alkaloid detergents*). **Rinse well and use extra caution when the ramp surface is wet.**
7. If ramp surface is covered with ice and/or snow, remove before use. Snow accumulation should be shoveled and the tread surface swept clean. Calcium Chloride salt substitute may be used to melt snow or ice accumulation on the ramp, however, after the snow and/or ice threat has cleared, be sure to clean the tread surface with soap and water (*avoid alkaloid detergents*) to remove Calcium Chloride residue. **Rinse well and use extra caution when the ramp surface is wet.**
8. Do not play on or near ramp.
9. Do not use handrails or ramp to support planters, decorations, etc.
10. Ramp surface may become slippery when wet.
11. If any part of the ramp is damaged or loose, **DO NOT USE UNTIL REPAIRS CAN BE MADE BY A CERTIFIED INSTALLER OR OTHER QUALIFIED PERSON.**



**EZ-ACCESS<sup>®</sup>**

A DIVISION OF HOMECARE PRODUCTS, INC.

1-800-451-1903 • FAX 1-800-630-2350 • [www.ezaccess.com](http://www.ezaccess.com)