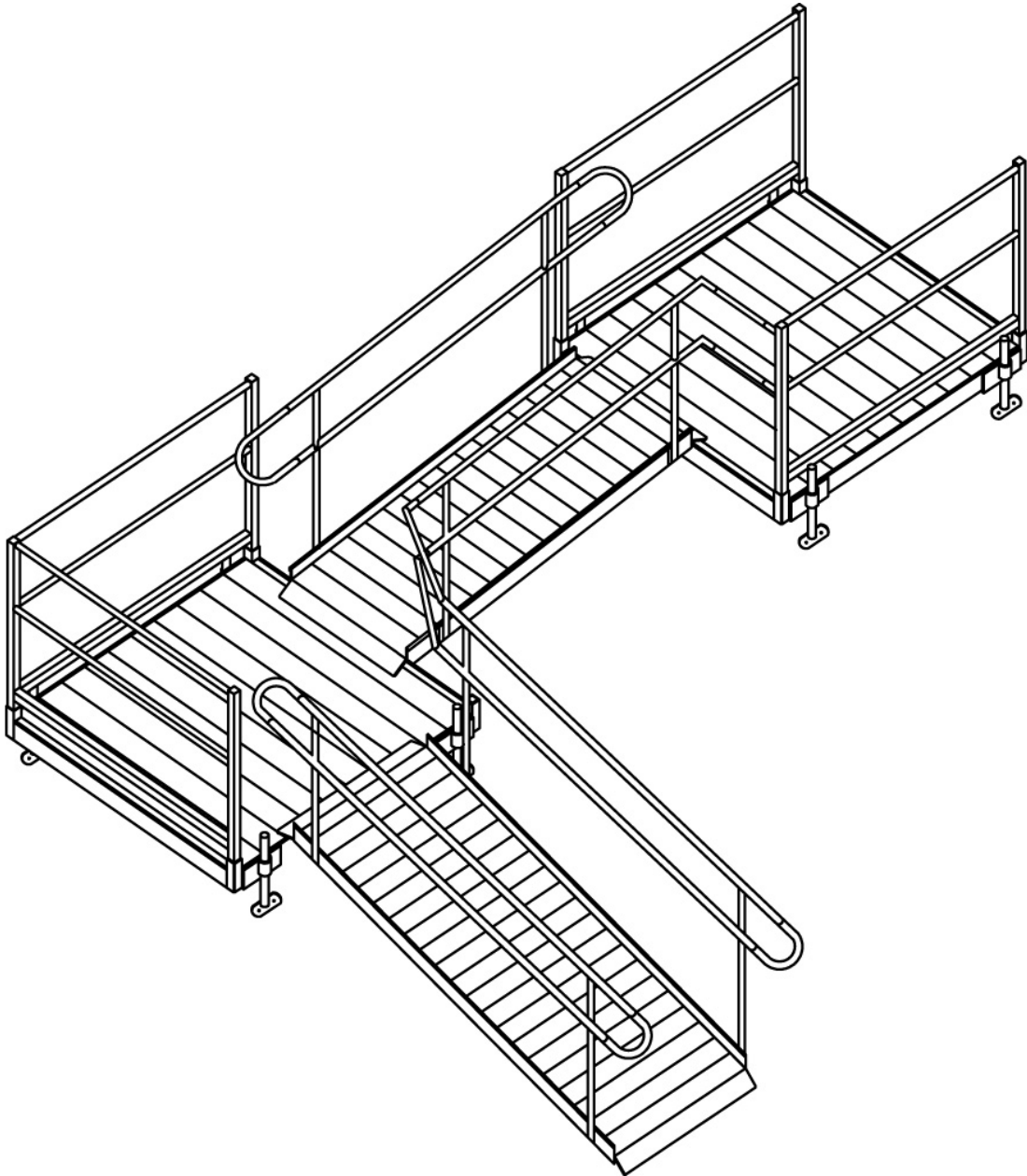




**MODULAR RAMPS
EZ-ACCESS®**

INSTALLATION GUIDE



Proudly made in the USA

Patent Pending

INSTALLATION GUIDE

FOR EZ-ACCESS[®] MODULAR RAMP SYSTEMS

ATTENTION INSTALLER:

- 850 lb. weight capacity
- Read all instructions, including 'PERIODIC MAINTENANCE AND SAFETY', prior to ramp assembly.
- Please leave INSTALLATION GUIDE with the end user.

ATTENTION END USER:

- 850 lb. weight capacity
- Please read and become familiar with the 'PERIODIC MAINTENANCE AND SAFETY' section of this manual.
- Fill out and return warranty information.

TOOLS TYPICALLY REQUIRED:

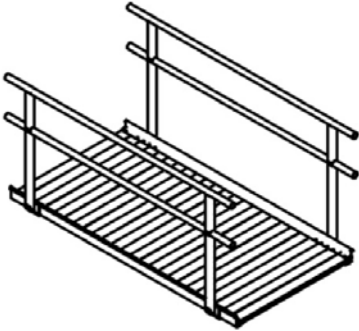
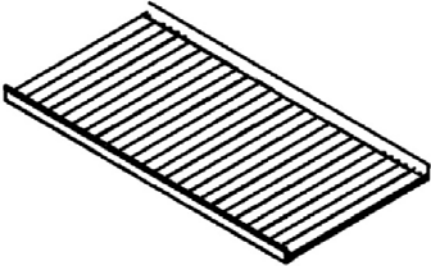
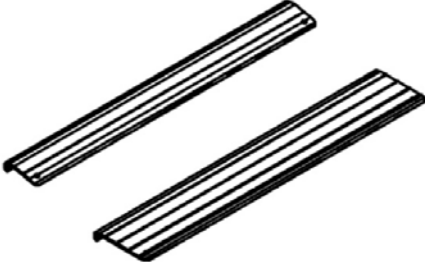
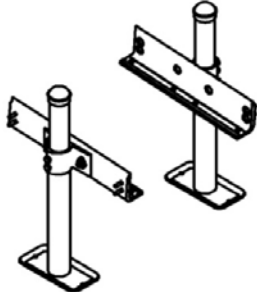
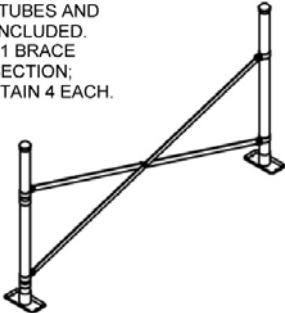
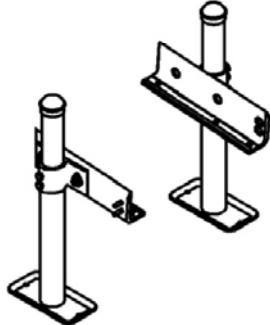
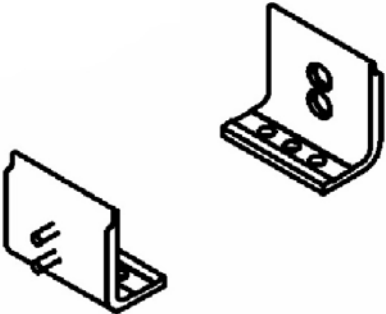
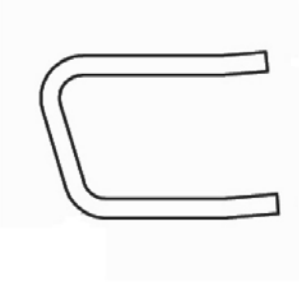
- ✓ 1/2" SOCKET OR 1/2" WRENCH
- ✓ 9/16" SOCKET OR 9/16" WRENCH
- ✓ 5/16" DRILL BIT (IF BRACE ASSEMBLIES ARE USED)
- ✓ 1/8" DRILL BIT
- ✓ 5/16" MASONRY DRILL BIT (USED WHEN INSTALLING TO CONCRETE PORCH, STEP, ETC.)
- ✓ 5/32" ALLEN WRENCH (SUPPLIED AS NEEDED)
- ✓ 3/16" ALLEN WRENCH (SUPPLIED AS NEEDED)
- ✓ #2 PHILLIPS HEAD SCREW DRIVER
- ✓ BOX KNIFE
- ✓ 25' TAPE MEASURE
- ✓ HAMMER
- ✓ LEVEL
- ✓ RUBBER Mallet
- ✓ FILE
- ✓ POWER DRILL
- ✓ HACKSAW (FOR OPTIONAL HANDRAIL KITS)
- ✓ DIGGING TOOLS (IF AN OBSTACLE NEEDS TO BE REMOVED)
- ✓ TWO ABLE-BODIED PERSONS NEEDED FOR INSTALLATION

VIEW PACKING LIST: Each ramp system is shipped with a packing list. Be sure to check that all items and tools are present before starting installation.

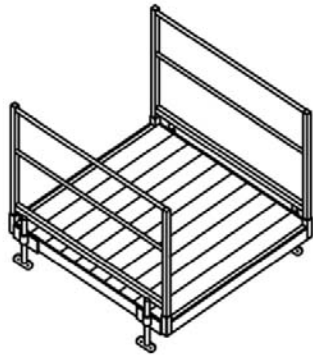
CONTENTS

BASIC SYSTEM COMPONENTS.....	4-5
INSTALLING PLATFORMS.....	6
INSTALL SADDLE BRACKETS TO PLATFORM.....	7
CONNECTING TWO PLATFORMS TOGETHER.....	8
ATTACH SUPPORT TUBES TO PLATFORM SADDLE BRACKETS.....	9
INSTALL BASE FEET AND ADJUST HEIGHT.....	10
INSTALL PLATFORM BRACE ASSEMBLY.....	10
INSTALL RAMP SECTIONS.....	11-16
INSTALLING A SINGLE RAMP RUN.....	16-17
ANCHOR TOP TRANSITION PLATE.....	18
ANCHOR BOTTOM TRANSITION PLATE.....	18
PRE-ASSEMBLE HANDRAILS.....	19
INSTALLING RAMP HANDRAILS.....	20
INSTALLING PLATFORM HANDRAILS.....	21
INSTALLING LOOPS.....	22
INSTALLING END CAPS.....	22
OPTIONAL INSIDE CORNER HANDRAIL KIT.....	22-23
CORNER POCKET PROTECTIVE CAP.....	23
OPTIONAL HANDRAIL CLOSURE KIT.....	24-25
OPTIONAL TOP SUPPORT ASSEMBLY.....	26
OPTIONAL LIGHTNING ROD GROUNDING KIT.....	27
OPTIONAL HURRICANE TIE DOWN KIT.....	28-29
WARRANTY.....	30-31
FINAL CHECKS.....	31
PERIODIC MAINTENANCE & SAFETY.....	31

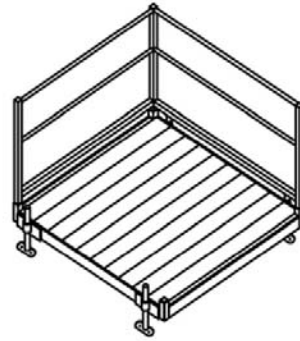
BASIC SYSTEM COMPONENTS: Because each ramp configuration will differ from one another, your system may or may not contain all of these basic system components:

	
<p>MODULAR RAMP WITH HANDRAIL</p>	<p>MODULAR RAMP WITHOUT HANDRAILS</p>
	<p>NOTE: SUPPORT TUBES AND BASE FEET NOT INCLUDED.</p> 
<p>TOP & BOTTOM TRANSITION PLATE (PAIR)</p>	<p>RAMP SUPPORT ASSEMBLY</p>
<p>NOTE: SUPPORT TUBES AND BASE FEET NOT INCLUDED. RAMP CONTAINS 1 BRACE ASSEMBLY PER SECTION; PLATFORMS CONTAIN 4 EACH.</p> 	<p>NOTE: SUPPORT TUBES AND BASE FEET NOT INCLUDED.</p> 
<p>BRACE ASSEMBLY</p>	<p>TOP SUPPORT ASSEMBLY</p>
	
<p>RAMP HANDRAIL END BRACKET (PAIR)</p>	<p>HANDRAIL END LOOPS (PAIR)</p>

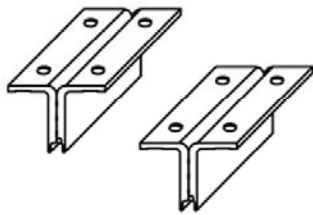
ITEMS NOT SHOWN ACTUAL SIZE



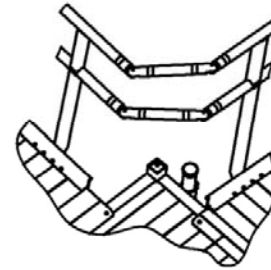
UNIVERSAL PLATFORM (STRAIGHT CONFIGURATION)



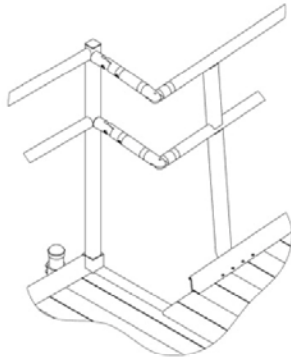
UNIVERSAL PLATFORM (TURN CONFIGURATION)



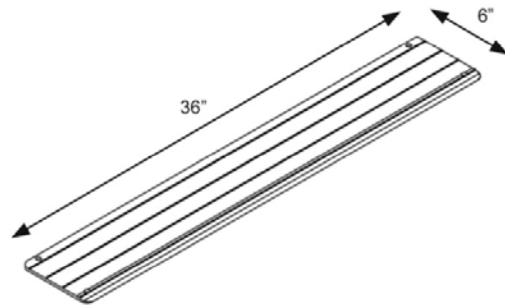
PLATFORM CONNECTOR KIT



INSIDE CORNER HANDRAIL KIT



HANDRAIL CLOSURE KIT



BRIDGE PLATE

AVAILABLE LENGTHS 12" THROUGH 144" (12" INCREMENTS)



SUPPORT TUBES (PAIR)



HANDRAIL END CAP

ITEMS NOT SHOWN ACTUAL SIZE

1) **INSTALLING PLATFORMS:** If your system does not include a platform, skip to 'INSTALL RAMP SECTIONS' of this instruction guide. Generally, we suggest installing all platforms and ramps before installing handrails (see 'HANDRAIL INSTALLATION').

A) There are three types of platforms (you may be installing one or more of these types). All three require the same procedure for assembly except for FIG 3 which requires an additional platform connector kit.

FIG 1 5' x 5' Universal Platform (straight configuration)

FIG 2 5' x 5' Universal Platform (turn configuration)

FIG 3 5' x 4' Universal Platform (2 shown combined to make 5' x 8' turn back platform)

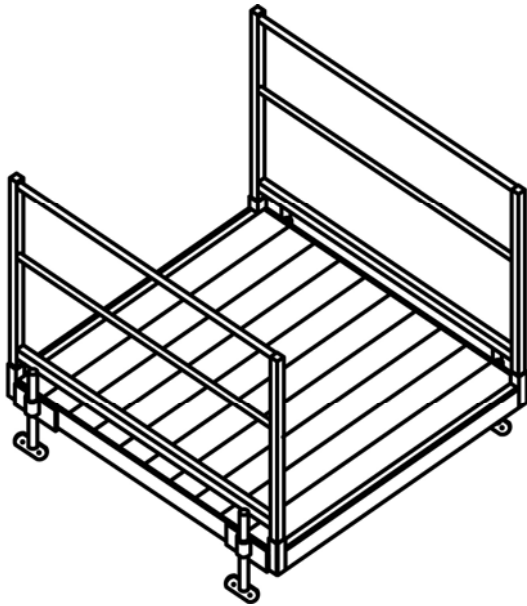


FIG 1

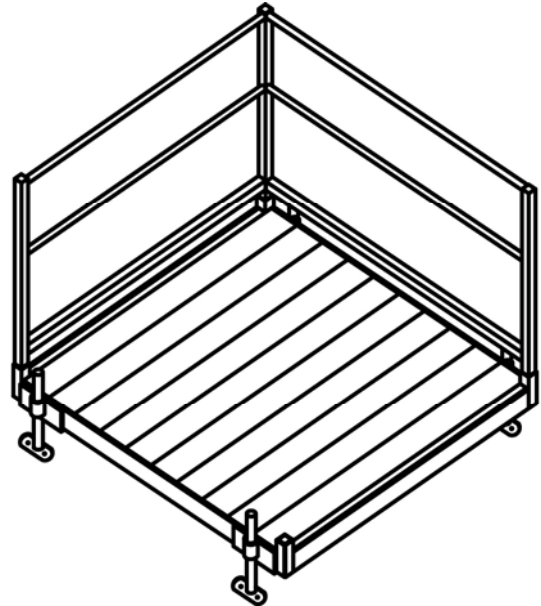


FIG 2

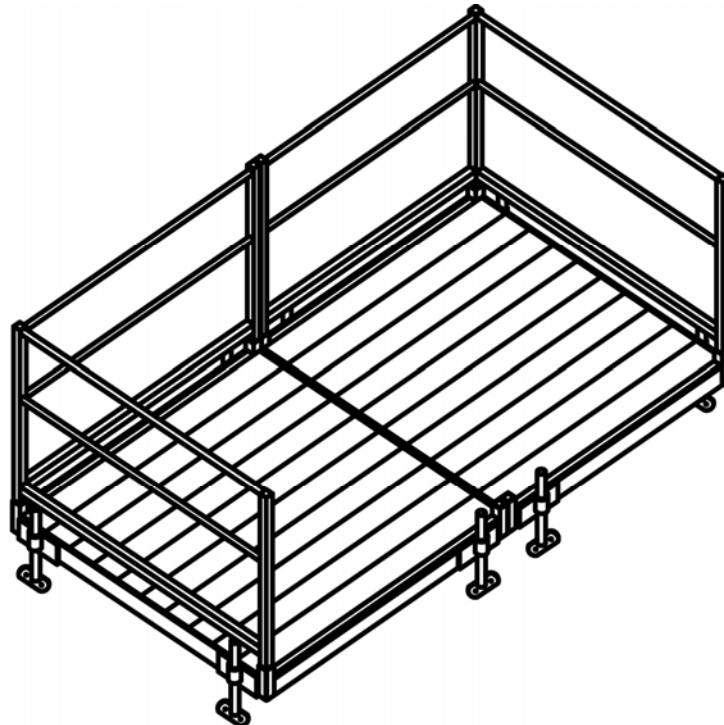


FIG 3

B) **INSTALL SADDLE BRACKETS TO PLATFORM:**

- i) Place the surface of the platform face down, onto cardboard or a lawn so that the platform is not damaged (scratched or dented).
- ii) Each platform has two different configurations at each corner into which the platform saddle brackets and support legs can be installed. To account for obstacles, either position can be used as long as one platform saddle bracket is installed in each corner.
- iii) Position the platform saddle bracket over the threaded inserts located on each outside corner of the platform (FIG 4).
- iv) Slide the platform saddle brackets into position (one end of the bracket will slide into the groove). **NOTE:** If there are space limitations, the saddle brackets can be installed under the platform as shown in FIG 7 (if necessary, support tubes can be cut to fit).
- v) Using a $\frac{1}{2}$ " socket wrench, attach a platform saddle bracket to the platform with two $\frac{5}{16}$ " x $1\frac{1}{2}$ " bolts and two $\frac{5}{16}$ " flat washers. **DO NOT OVER TIGHTEN** (FIG 5). Repeat this step for all four platform saddle brackets. **NOTE:** The 4x4, 5x4, and 5x5 platforms each use 4 (four) platform saddle brackets.
- vi) Once installed, start two each $\frac{3}{8}$ " x $\frac{1}{2}$ " bolts into the threaded holes in each platform saddle bracket (FIG 6) in order to secure the support tube.

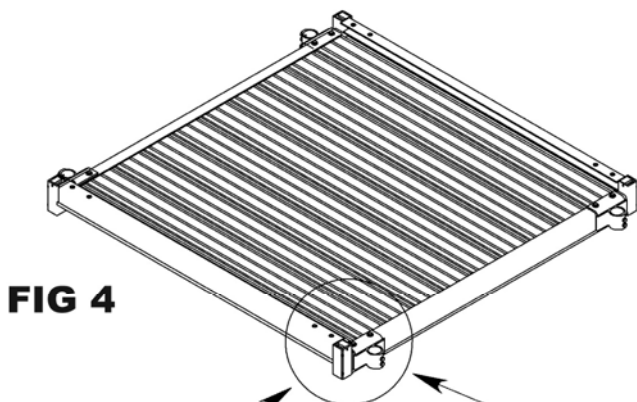


FIG 4

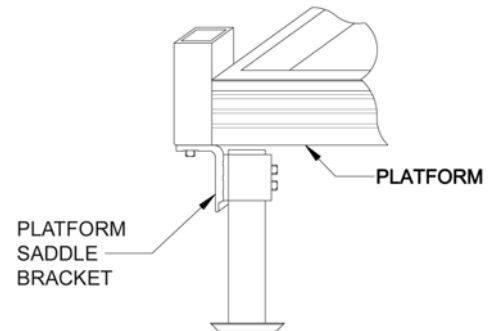


FIG 7

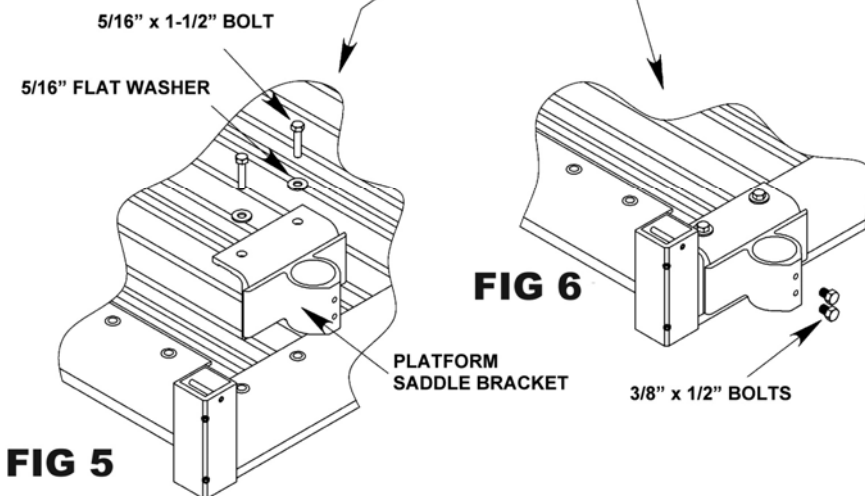


FIG 6

FIG 5

C) **CONNECTING TWO PLATFORMS TOGETHER:**

- i) Place the surface of the platform face down, onto cardboard or a lawn so that the platform is not damaged (scratched or dented).
- ii) Places edges to be joined against one another.
- iii) Attach platform connector saddle bracket (two each) into existing threaded inserts using 5/16" x 1 1/2" hex bolts (four per bracket) and 5/16" flat washers (four per bracket) as shown in FIG 8. **DO NOT OVER TIGHTEN.**

NOTE: Any two platforms with the same width can be connected. However, generally two 5' x 4' platforms are connected to make a turn back platform.

- iv) FIG 9 shows completed assembly. **CAUTION:** Although platforms are now connected, four support tubes must be installed per platform.

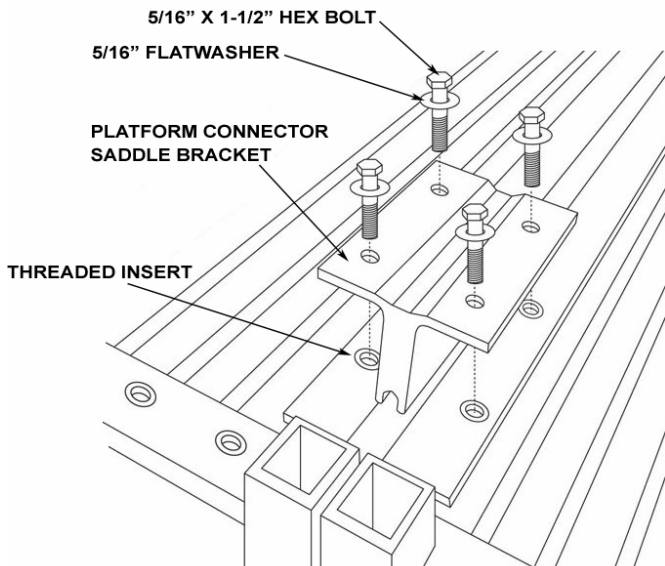


FIG 8

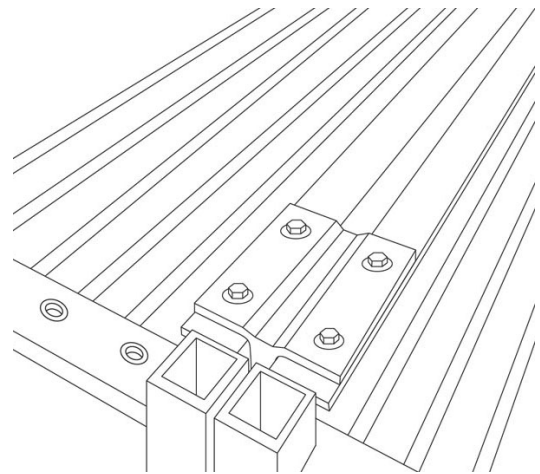


FIG 9

D) **ATTACH SUPPORT TUBES TO PLATFORM SADDLE BRACKETS:**

- i) Tip the platform on its side. Have one person support the platform while the other person slides the support tubes into the platform saddle brackets. Adjust the support tubes to the approximate height needed (FIG 10).

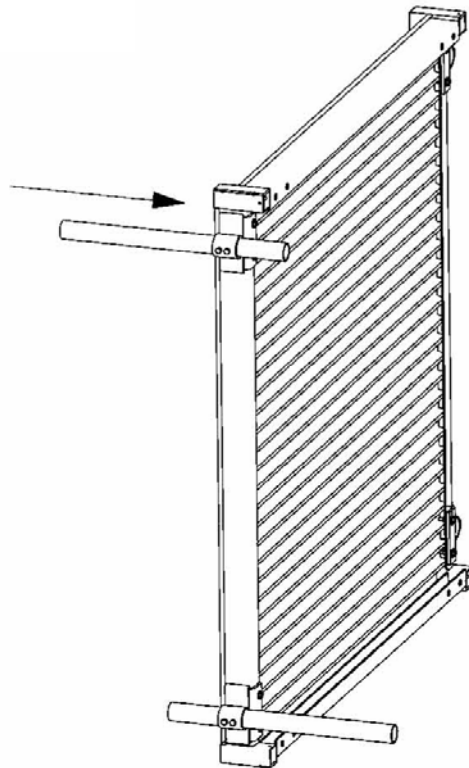


FIG 10

- ii) Using a 9/16" socket wrench, secure each of the support tubes with one of the two bolts on each platform saddle bracket (the second bolt will be tightened after final height adjustments are complete). The universal platform configured as a turn back platform (FIG 3) will have eight tubes to adjust.

CAUTION: Do not attempt to walk on the platform without both bolts in each platform saddle bracket tightened securely.

- iii) Place the platform with support tubes attached into the upright position. **IMPORTANT:** Do not let the weight of the platform bear on the support tubes while tipping the platform upright as it may bend the outer rail.

E) **INSTALL BASE FEET AND ADJUST HEIGHT:**

- i) Slip the base foot under each support tube (FIG 11).
NOTE: If installing on soft soil it may be necessary to set the base foot on a concrete pad or stepping stone.
- ii) Adjust the final height of the platform.
 - a. Adjust each leg one at a time by loosening the bolt in the platform saddle bracket. Using a level, adjust the platform height and retighten (FIG 12).
- iii) Once the final height has been adjusted, tighten the second bolt in each platform saddle bracket.
- iv) Ensure that all bolts are secure.

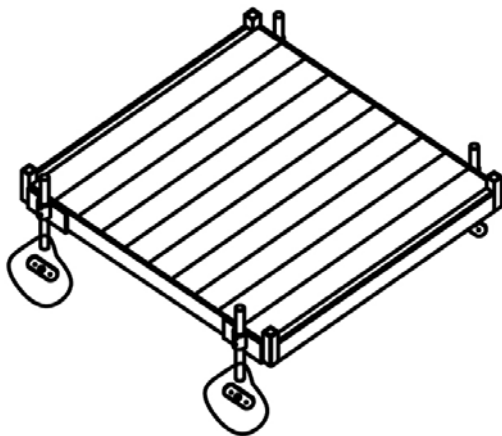


FIG 11

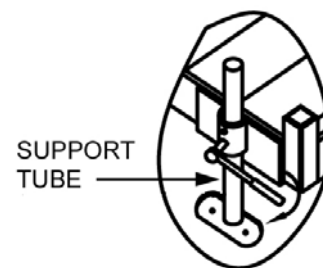


FIG 12

F) **INSTALL PLATFORM BRACE ASSEMBLY:**

- i) Install platform brace assemblies on all support tubes when the walking surface is 36" or more above the ground. The platform brace assemblies are normally installed on all four sides (FIG 13).
- ii) Platform brace assemblies need to be cut to desired length and 5/16" holes to attach the brace bands will need to be drilled at both cut ends.
- iii) Ensure that all platform brace assemblies are secured before using platform.

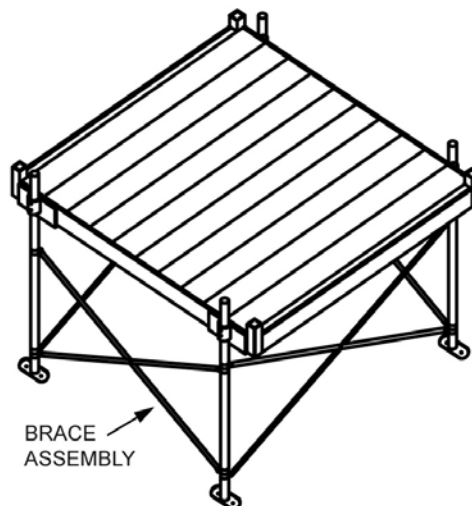


FIG 13

G) **INSTALL RAMP SECTION(S):**

- i) Turn the ramp sections upside down on a flat surface (so that the ramps do not get scratched or dented, it is recommended that this be done either on the lawn or on a piece of cardboard).

NOTE: If you are installing a single ramp section, skip to 'INSTALLING A SINGLE RAMP RUN'.

- ii) Butt the sections together end-to-end and ensure there is no gap.
iii) Position the two center saddle brackets over the threaded inserts found on the end of each ramp section (FIG 14).
iv) One edge of the center saddle bracket will slide into the groove of the ramp section.

NOTE: Ramp sections are connected to create a ramp run using two interchangeable center saddle brackets per joint. The center saddle brackets are also where the handrails and support tube brackets are attached, and are a part of the ramp support assembly. (FIG 14).

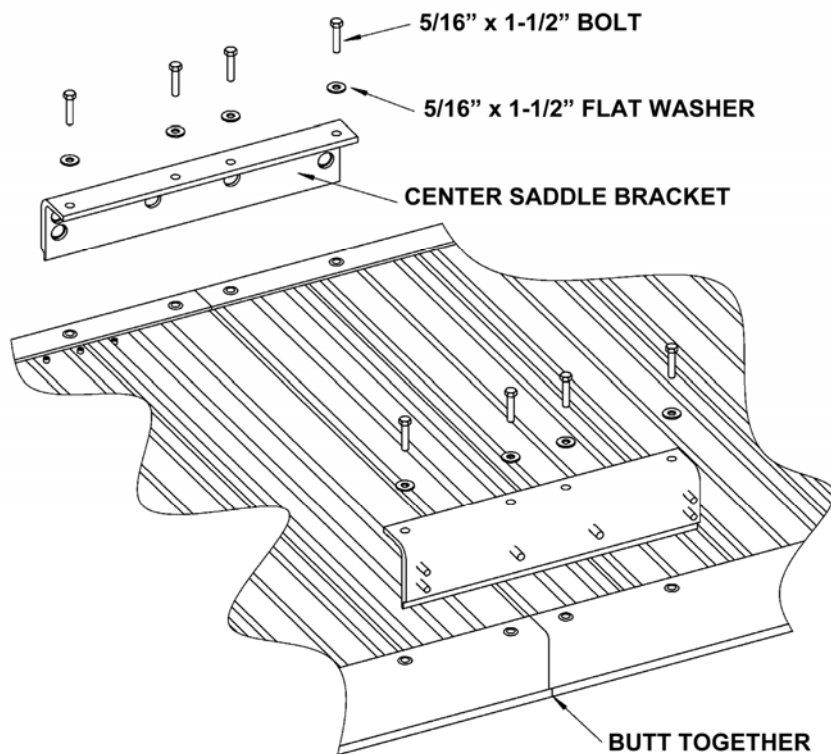


FIG 14

- v) Attach the center saddle brackets using four each 5/16" x 1½" bolts and washers per center saddle bracket.
vi) Tighten all eight bolts (four each per center saddle bracket).
NOTE: A maximum of three ramp sections may be joined in this manner.
vii) If necessary, install optional top support assembly at this time. See 'OPTIONAL TOP SUPPORT ASSEMBLY'.

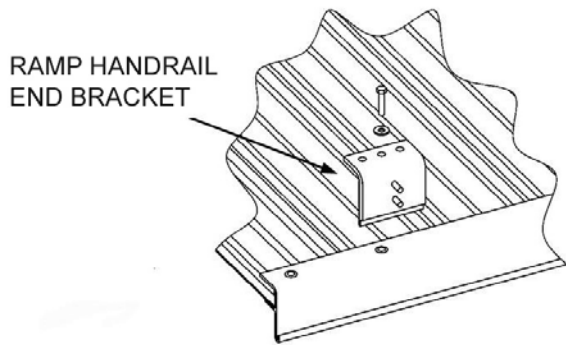


FIG 15a

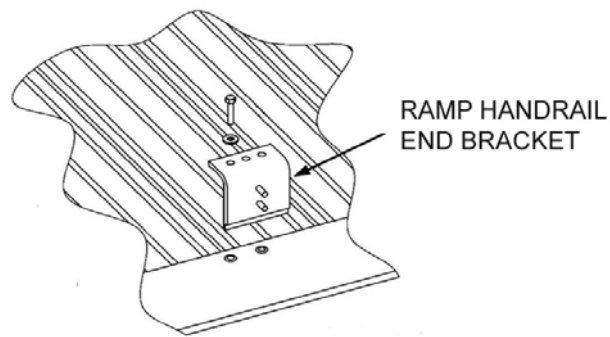


FIG 15b

- viii) Install four ramp handrail end brackets (these will be used to attach handrails in a later step).
 - a. For 4', 6', and 8' ramps, use one at each outside corner of the ramp section using one 5/16" x 1 1/2" bolt & washer into the threaded insert second from the end of the ramp (FIG 15a).
 - b. For 10' ramps, two additional ramp handrail end brackets are installed using one 5/16" x 1 1/2" bolt & washer at the center of each ramp section (FIG 15b). **NOTE:** Ensure holes in ramp handrail end bracket align with threaded inserts in ramp. Install one fastener into either of the two inserts.
- ix) Turn the joined ramps to the upright position.
- x) Place the upper end of the ramp onto the supporting surface, i.e., platform, porch, etc.
- xi) Once the ramp is resting on the porch or platform, lift the upper end of the ramp and install the top transition plate (top transition plate is the smaller of the two) into what will be the upper end of the ramp.

NOTE: When used with an MTSA, the bottom transition plate (the larger of the two) can be installed at what will be the upper end of the ramp to compensate for minor angular misalignment (about 10 degrees) between the porch, deck, or platform.
- xii) Install the bottom transition plate (larger of the two) into what will be the lower end of the ramp (FIG 16).

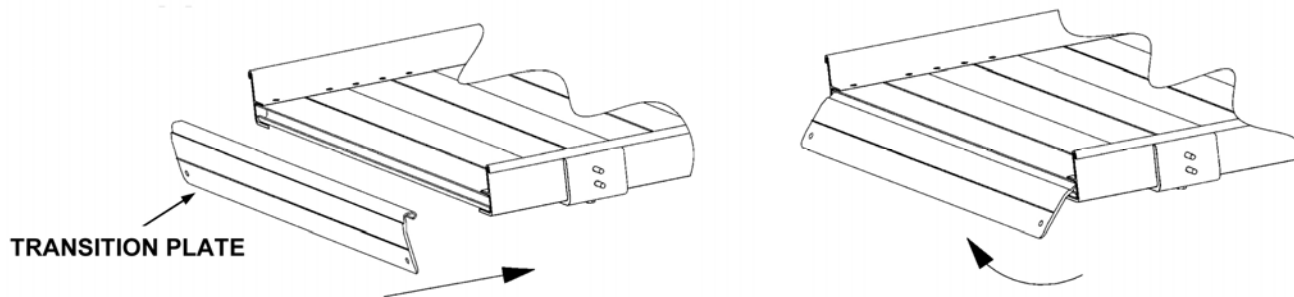


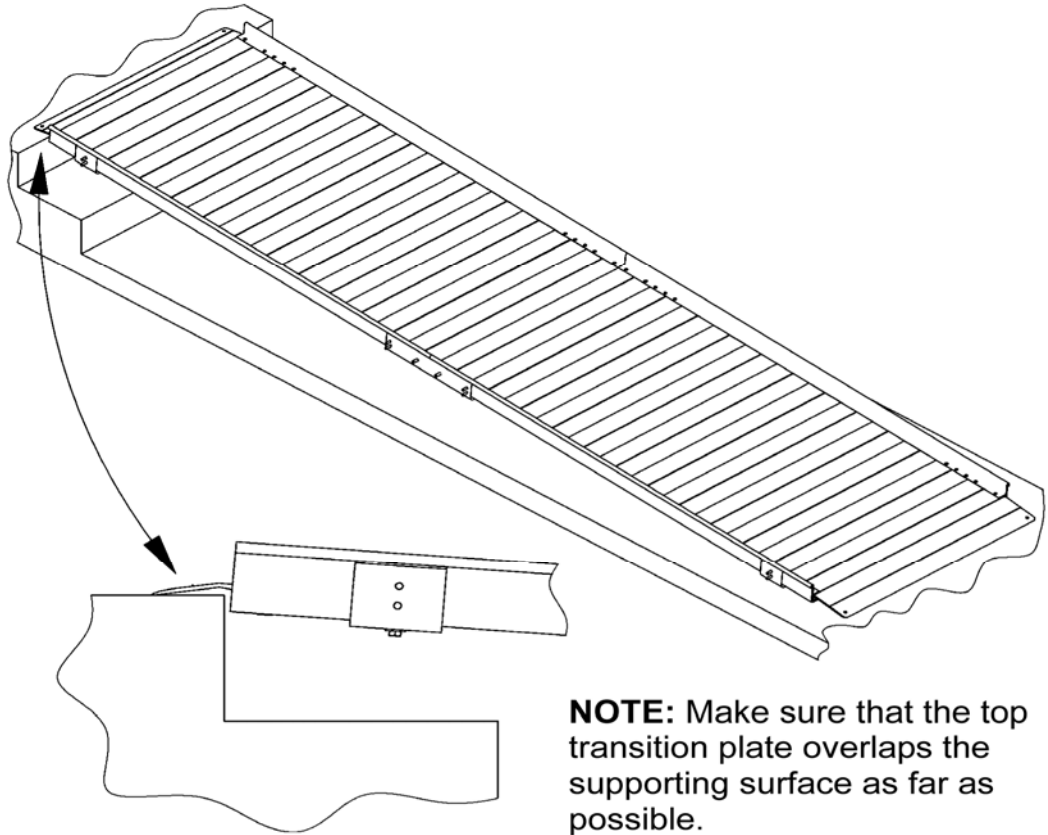
FIG 16

a. Maneuver the ramp to its desired position (FIG 17).

IMPORTANT: Make sure the top transition plate overlaps the supporting surface as far as possible.

CAUTION: **DO NOT** use the ramp until all support tubes and ramp brace assemblies (if needed) are installed and secured!

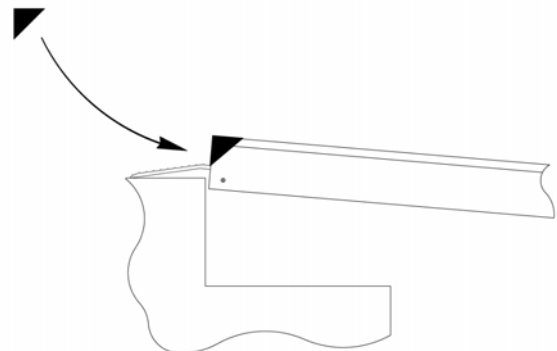
FIG 17



xiii) So that no sharp edges are exposed, install protective caps over side rail corners as shown in FIG 18. Place one cap on each side at both the top and bottom of ramp.

NOTE: If necessary, use silicone adhesive to bond cap to ramp.

FIG 18



- xiv) Attach support tube bracket to the center saddle bracket using $\frac{3}{8}$ " nylock nuts and $\frac{3}{8}$ " washers (FIG 19).
- To ensure plumb support tubes, level the support tube brackets (FIG 20).
 - Secure and tighten the $\frac{3}{8}$ " nylock nuts.
 - Start two each $\frac{3}{8}$ " x $\frac{1}{2}$ " bolts without washers into the threaded holes on each support tube bracket. DO NOT TIGHTEN.

FIG 19

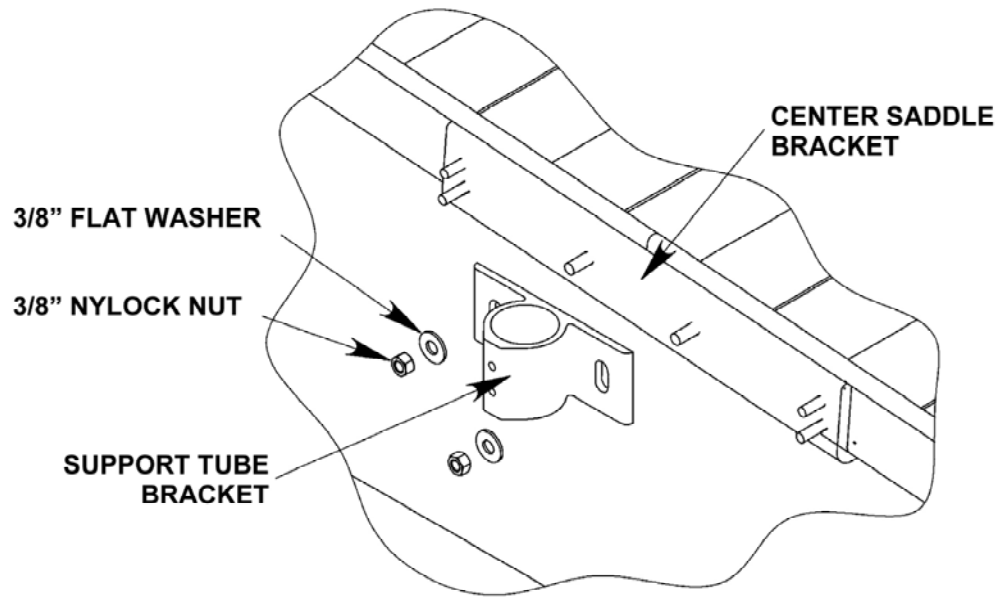
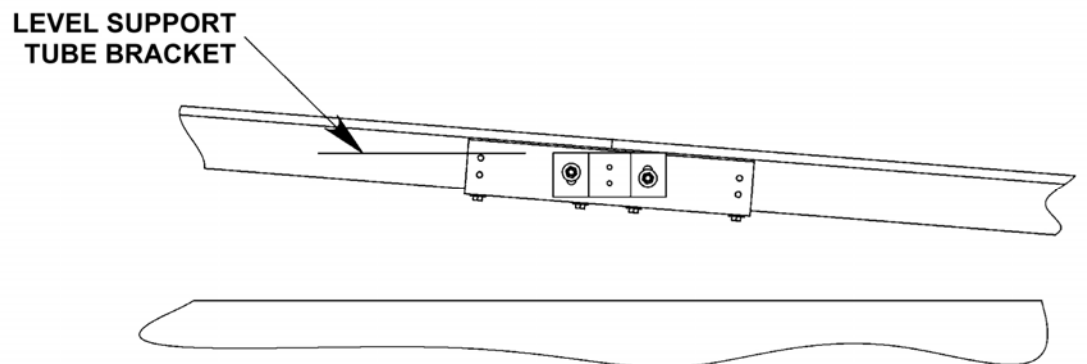


FIG 20



- xv) Place a base foot under each support tube bracket, then slide support tube through the bracket and onto the base foot (FIG 21).

NOTE: If used on very soft soil it may be necessary to set the base foot on a concrete pad.

- xvi) Adjust the legs one at a time.
- Raise the ramp sections (at the center saddle bracket) to take any sag out of the ramp run.
 - Tighten the two bolts in each support bracket.**
 - Place end cap on support tube (FIG 21).

NOTE: Adjusting sections can be accomplished by having someone sight down the ramp while another person adjusts the ramp height.

IMPORTANT: Ensure that the ramp sections are parallel to each other. If they are not, it may be difficult to install the handrails.

- Double check that all bolts are tight, the support tubes are plumb, and the ramp sections are aligned parallel to one another.

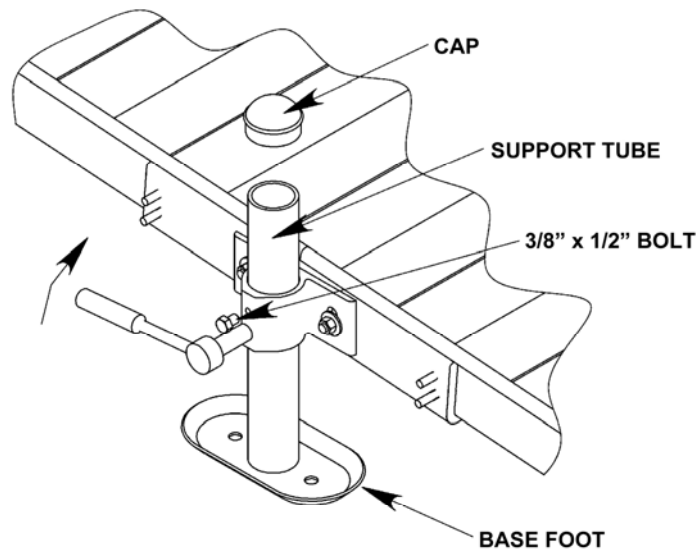
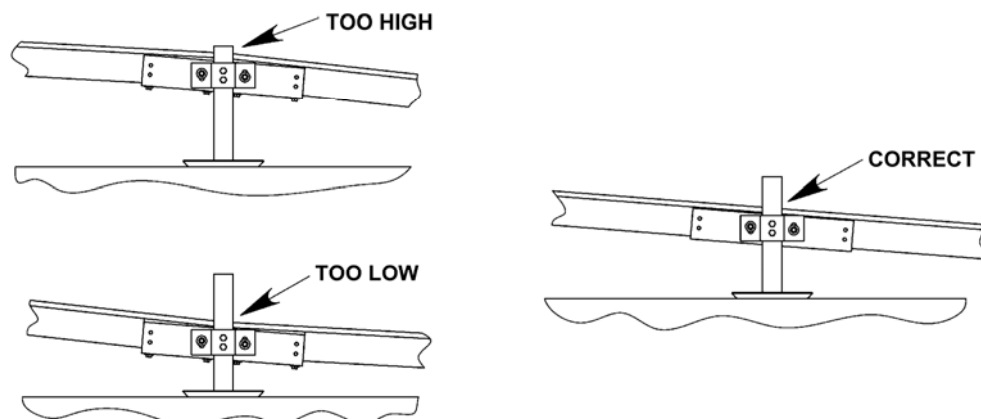
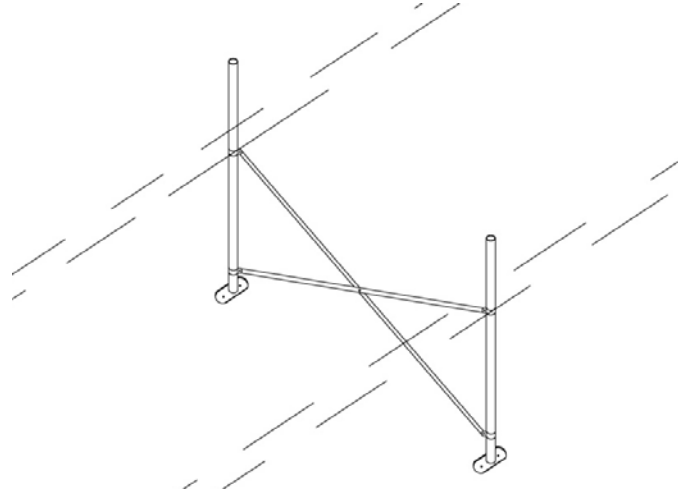


FIG 21



- e. If the ramp tread surface is over 36" in height, connect the brace assembly under the ramp as shown in FIG 22.
- f. The brace assembly ends will need to be cut to desired length, and 5/16" holes to attach the brace bands will need to be drilled at both cut ends.
- g. Ensure that all platform brace assemblies are secured before using platform.

FIG 22



H) **INSTALLING A SINGLE RAMP RUN:**

- i) Turn the ramp section upside down on a flat surface. Do this on cardboard or a lawn so that the ramp is not damaged (scratched or dented).
- ii) Install four ramp handrail end brackets (these will be used to attach handrails in a later step).
 - a. For 4', 6', and 8' ramps, use one at each outside corner of the ramp section using one 5/16" x 1 1/2" bolt & washer into the threaded insert second from the end of the ramp (FIG 15a).
 - b. For 10' ramps, two additional ramp handrail end brackets are installed using one 5/16" x 1 1/2" bolt & washer at the center of each ramp section (FIG 15b). **NOTE:** Ensure holes in ramp handrail end bracket align with threaded inserts in ramp. Install one fastener into either of the two inserts.

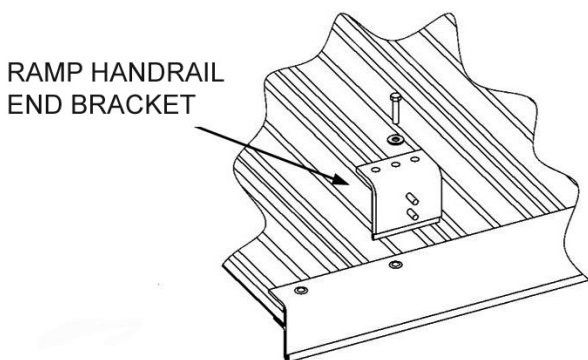


FIG 15a

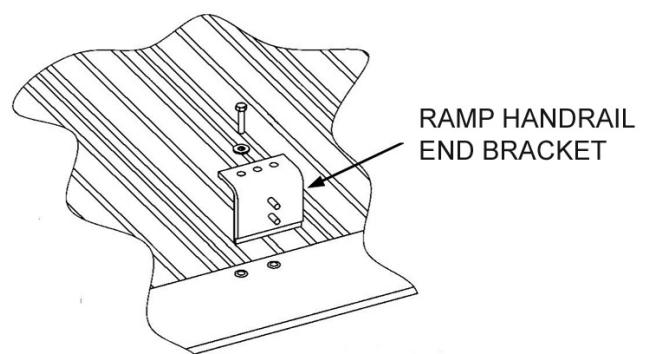


FIG 15b

- iii) Turn the ramp over to the upright position.
 - a. Place the upper end of the ramp onto the supporting surface, i.e., platform, porch, etc.
- iv) Once the ramp is resting on the porch or platform, lift the upper end of the ramp and install the top transition plate into what will be the upper end of the ramp and the bottom transition plate into what will be the lower end of the ramp (FIG 16). **NOTE:** The bottom transition plate is the larger of the two.
 - a. Maneuver the ramp to its desired position (FIG 17).

FIG 16

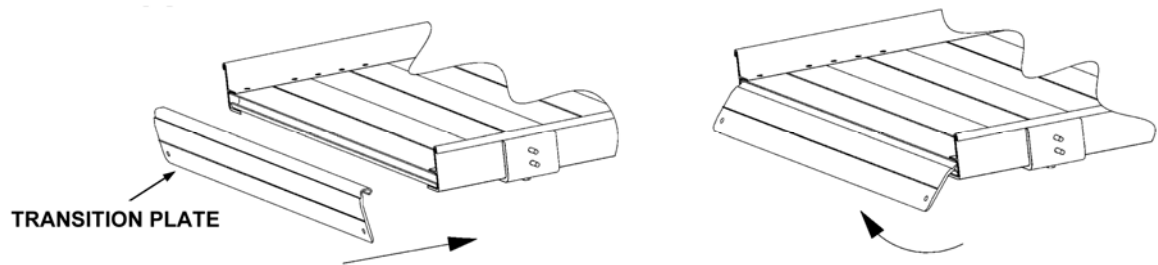
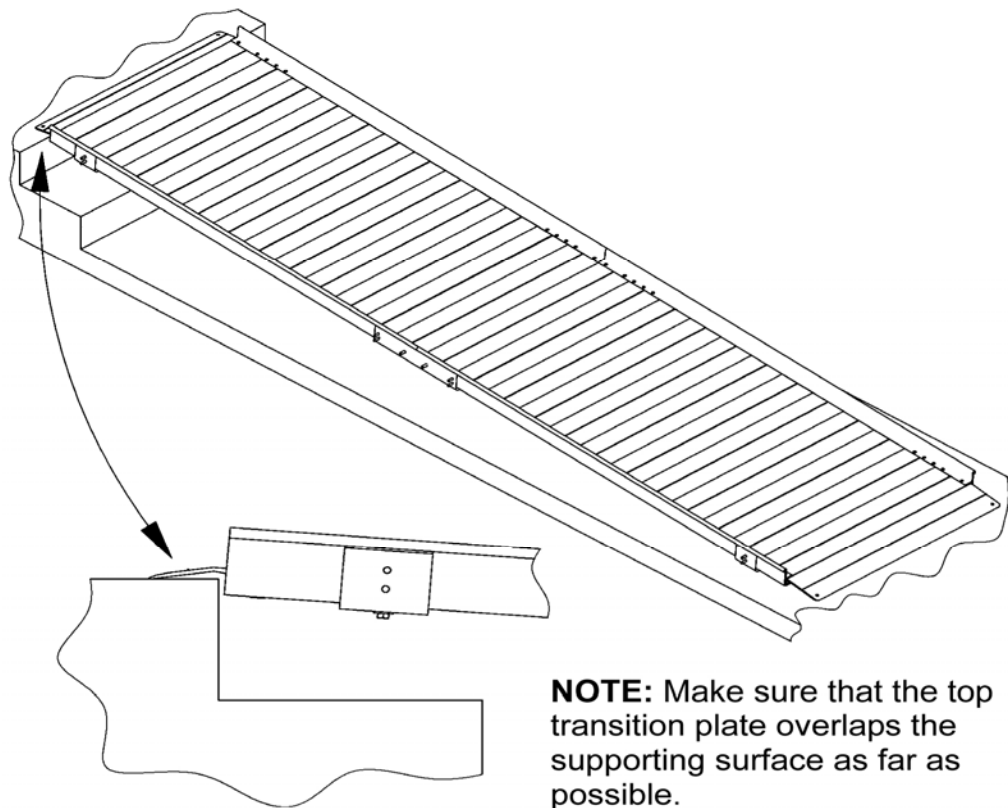


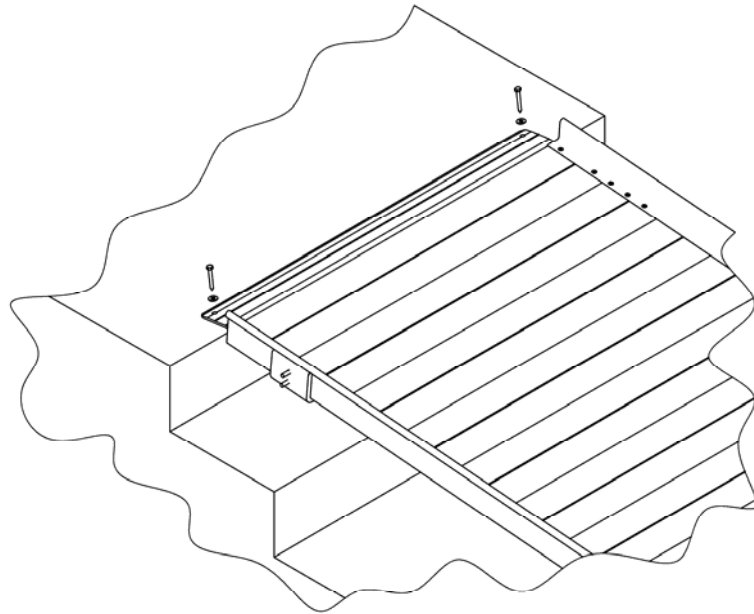
FIG 17



- 2) **ANCHOR TOP TRANSITION PLATE:** The top transition plate must be anchored to a substantial surface to assure the ramp will not be dislodged. Use the pre-drilled holes at each corner of the top transition plate as guides.
- A) **IF RESTING ON A WOODEN SURFACE:**
 - i) Drill two $\frac{1}{8}$ " holes into the wooden surface and secure by installing a #10 x $1\frac{1}{2}$ " stainless screw and #10 stainless washer into each hole (FIG 23).
 - B) **IF RESTING ON A CONCRETE SURFACE:**
 - i) Using a marker, transfer the hole locations from the top transition plate to the concrete surface then remove the top transition plate.
 - ii) Using a $\frac{5}{16}$ " masonry bit, drill two $1\frac{1}{2}$ " deep holes at the marked surface.
 - iii) Lightly set lead concrete anchor into holes with a hammer.
 - iv) Re-attach the top transition plate and align over the drilled holes.
 - v) Secure the top transition plate by installing a #10 x $1\frac{1}{2}$ " stainless screw and #10 stainless washer into each hole.
 - C) **IF RESTING ON AN ALUMINUM PLATFORM:**
 - i) Drill two $\frac{1}{8}$ " holes and secure by installing a #10 x $1\frac{1}{2}$ " stainless screw and #10 stainless washer into each hole.

NOTE: If the hole you are drilling is not coming out between two ribs on the underside of the platform, drill a new $\frac{1}{8}$ " hole through the top transition plate and platform in a position that will allow the screws to be installed between the ribs.

FIG 23

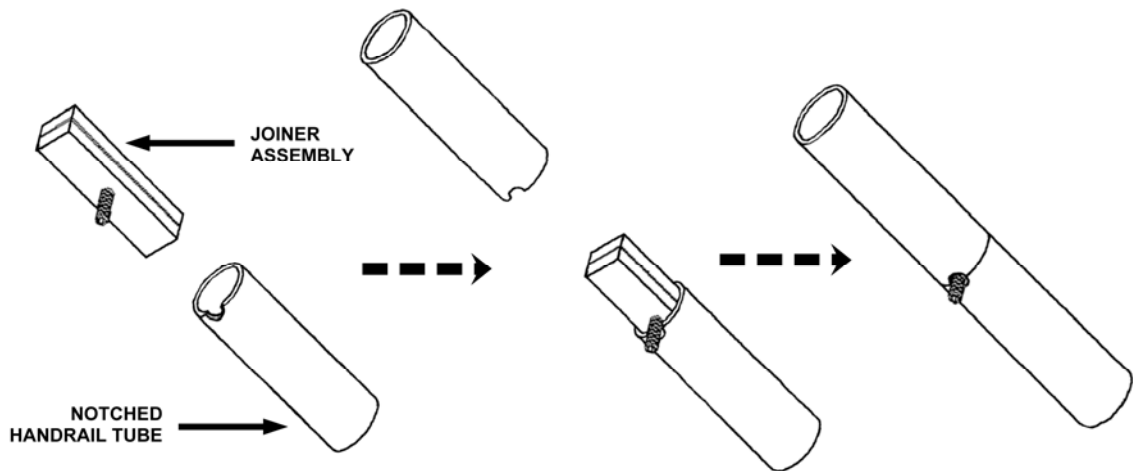


- 3) **ANCHOR BOTTOM TRANSITION PLATE:**
- A) If the bottom transition plate (end of ramp system) is resting at ground level, then anchoring the ramp is optional.
 - B) If a bottom transition plate is resting on any type of raised area (i.e., a platform), it must be anchored using the same procedures as used to 'ANCHOR TOP TRANSITION PLATE'.

4) **PRE-ASSEMBLE HANDRAILS:**

- A) One pair of handrails is required for each ramp section. Handrails are interchangeable.
- B) When used in a multiple ramp run, joiner assemblies are used to connect handrails together. Refer to FIG 24 for following steps:
 - i) One end of the handrail tube is notched to accept the joiner assembly. Locate the notched end on each upper and lower handrail tube.
 - ii) Slide joiner assembly into the notched end of handrail tube. Repeat process for both upper and lower handrail tube.
 - iii) Slide the next handrail section over the joiner assembly.
 - iv) Ensure that the tube ends are pushed firmly towards each other.
 - v) Using the supplied 5/32" allen wrench, tighten setscrews in both joiner assemblies.
 - vi) Join all handrails together in this manner.

FIG 24

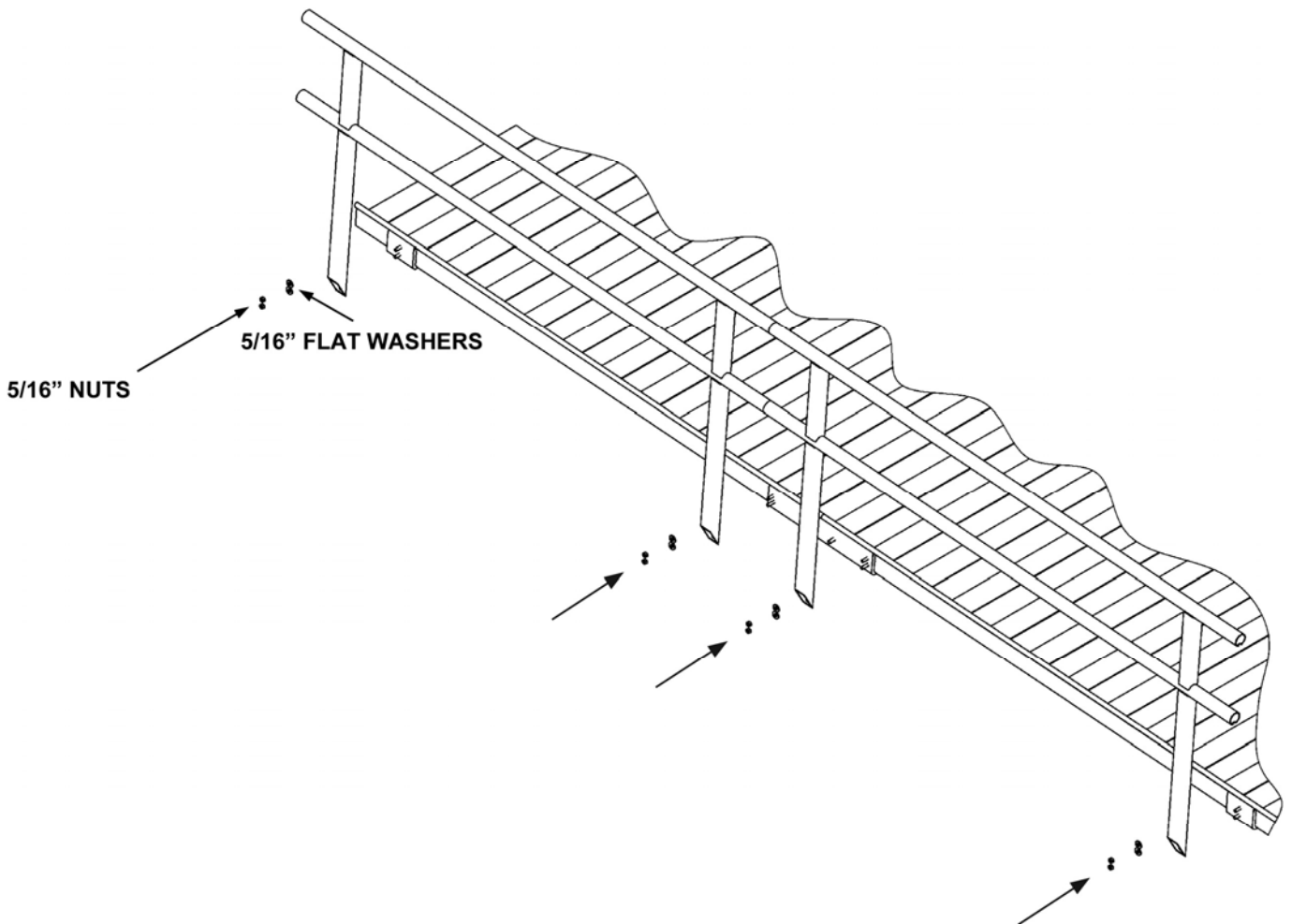


5) **INSTALL HANDRAILS:**

- A) Install pre-assembled handrail section to side of ramp run (FIG 22).
 - i) The vertical posts of the handrails each have two holes that correspond with studs on the saddle brackets that were installed earlier.
 - ii) Attach handrails to these studs using two each 5/16" flat washers and two each 5/16" hex nuts per handrail post.

NOTE: If the studs do not align with the posts and are off by 6", the Ramp Handrail End Bracket was installed into the wrong threaded insert on the ramp. (See FIG 15a for location of the correct insert).

FIG 25



6) **INSTALL PLATFORM HANDRAILS:**

NOTE: Depending on your configuration, refer to FIG 26 & 27, as needed.

- i) Drop platform handrails into corner pockets on straight platform configuration. **NOTE:** If the handrails do not fit, it may be necessary to remove the washers between the vertical post and round tubes.
- ii) To connect handrails on turn and turn back platform configurations, remove one vertical post per platform and retain for reuse. Pass three each 5/16" x 2" buttonhead screws through the holes in square post and into threaded insert in round tube/square tube end. Tighten with supplied 3/16" allen wrench. If the handrails do not fit in the corner pocket, it may be necessary to remove/add washers between the vertical post and round tubes.
- iii) Tighten two each set screws in each corner pocket on platform with supplied 3/16" allen wrench.
- iv) Use a rubber mallet to install square plastic end caps into the top of handrail posts.
- v) Install plastic protective cap over unused corner pocket.
- vi) Using the supplied 3/16" allen wrench, tighten the setscrews on the outside of the square corner pockets.

NOTE: Straight platform handrails simply drop into the square pockets and require no assembly other than tightening the set screws (FIG 26).

**UNIVERSAL PLATFORM
STRAIGHT CONFIGURATION**

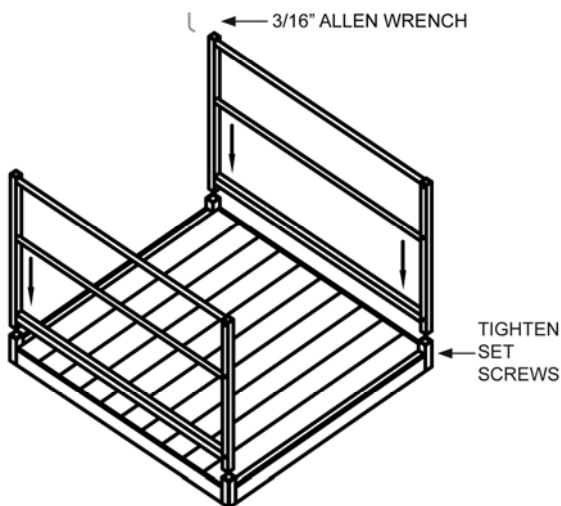


FIG 26

**UNIVERSAL PLATFORM
TURN CONFIGURATION**

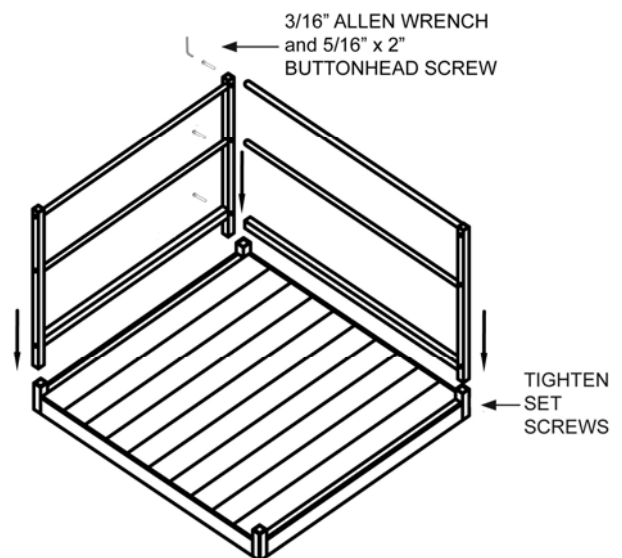


FIG 27

7) **INSTALL LOOPS:**

A) Install loops using same procedure as handrail with joiner assemblies.

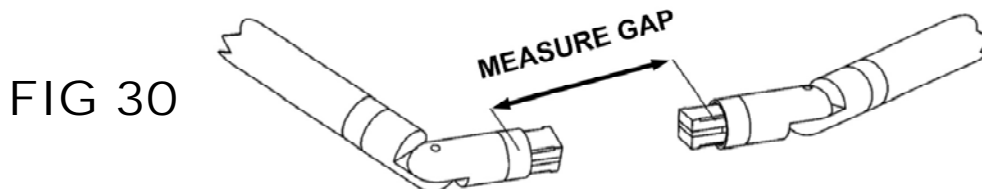
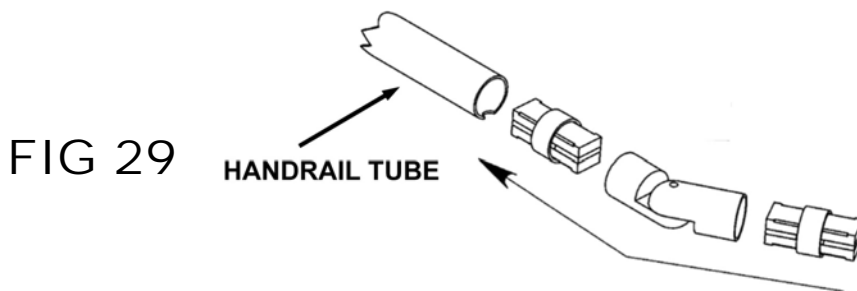
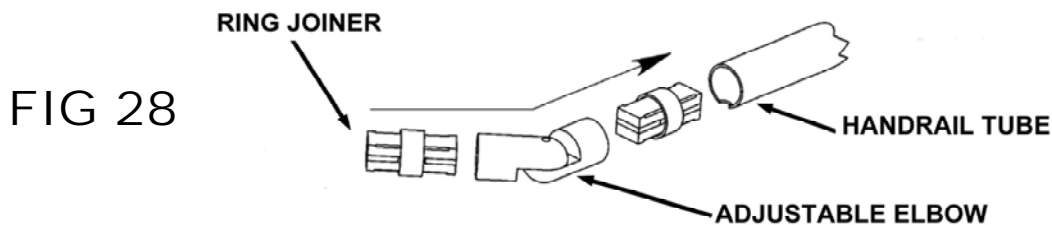
8) **INSTALL END CAPS:**

A) Use end caps when there are any remaining open ends on the handrails.
i) Push them in by hand or by using a rubber mallet, then twist caps once they are in place.

9) **INSTALL OPTIONAL INSIDE CORNER HANDRAIL KIT:**

A) Because each installation is unique, the components must be cut at the job site.
i) Slide a ring joiner into both ends of the adjustable elbow (FIG 28).
ii) Slide a ring joiner/adjustable elbow assembly into each ramp handrail tube (FIG 29).
iii) Position both assemblies until they are aligned (FIG 30).
iv) Measure the distance between the two ring portions of the ring joiner/adjustable elbow assembly.

HELPFUL HINT: Use the supplied 5/32" and 3/16" allen wrenches to lightly tighten the ring joiner/adjustable elbow assembly so they hold their position while measuring.



- v) Cut round tube to the length measured (FIG 31).
- vi) Using a metal file, smooth any sharp edges from the cutting.
- vii) Insert cut tube into place and tighten all set screws on ring joiner/adjustable elbows assemblies (FIG 32).

NOTE: If difficult to install, disassemble adjustable elbows and reconfigure.

10) **INSTALL CORNER POCKET PROTECTIVE CAP:**

- A) Some platform configurations will have unused corner pockets on which corner pocket protective cap will need to be installed (FIG 32a).

FIG 31

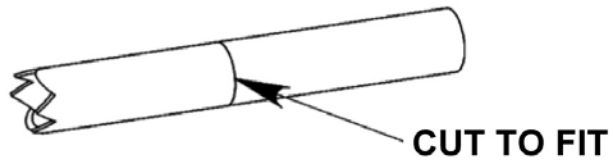


FIG 32

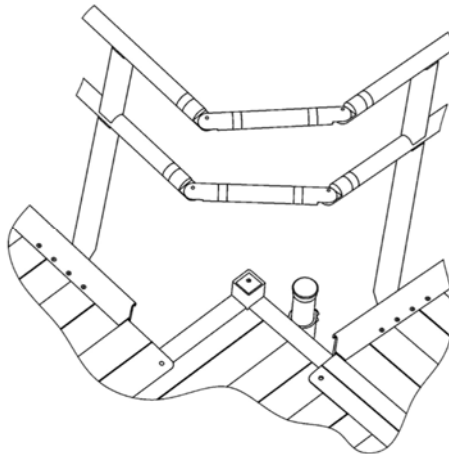
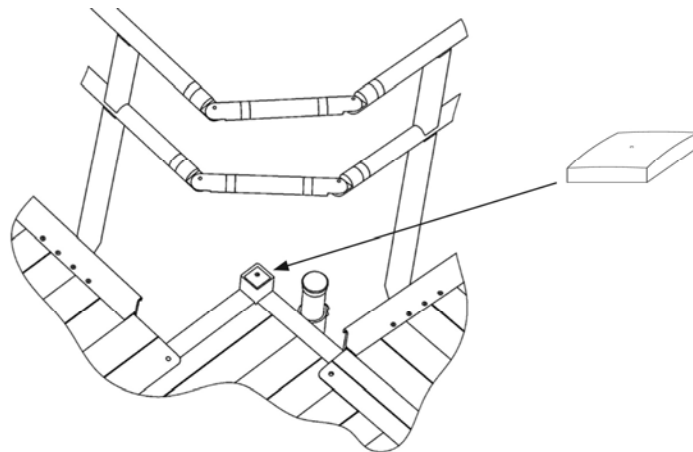


FIG 32a



11) **INSTALL OPTIONAL HANDRAIL CLOSURE KIT:**

- A) This kit will connect the handrails on a platform to the handrails on one side of the ramp.
- i) If needed, drop square tube post into corner pocket on platform and tighten two set screws with supplied 3/16" allen wrench (FIG 33).
 - ii) Using an adjustable elbow with a threaded insert in one end, pass 5/16" x 2" buttonhead screw through the hole in square tube into threaded insert on adjustable elbow. Tighten lightly (FIG 34).
 - iii) Insert ring joiner into each end of other elbows (FIG 35).
 - iv) Insert ring joiner/adjustable elbow assembly into tube end on ramp handrail and position both assemblies until they are aligned (FIG 36).
 - v) Measure the distance between the ring portions of the ring joiner assemblies. **HELPFUL HINT:** Use the supplied 5/32" and 3/16" allen wrenches to lightly tighten the ring joiner/adjustable elbow assembly so they hold their position while measuring.
 - vi) Cut round tube to the length measured (FIG 37).
 - vii) Using a metal file, smooth any sharp edges from the cutting.
 - viii) Insert cut tube into place and tighten all set screws on ring joiners and adjustable elbows (FIG 38).

NOTE: If difficult to install, disassemble adjustable elbows.

FIG 33

FIG 34

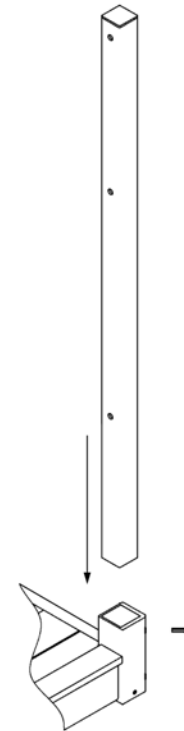
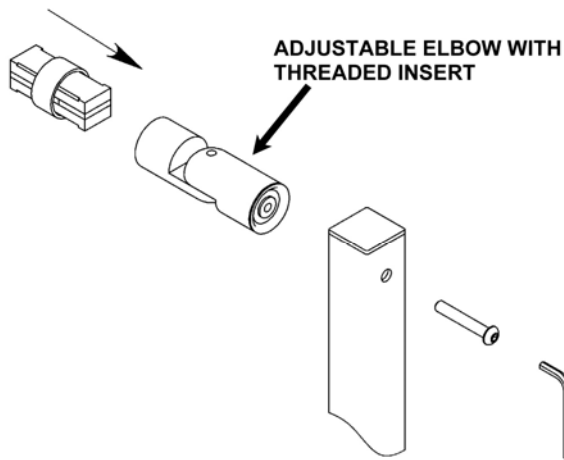


FIG 35

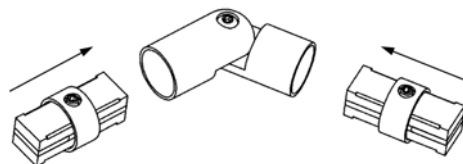
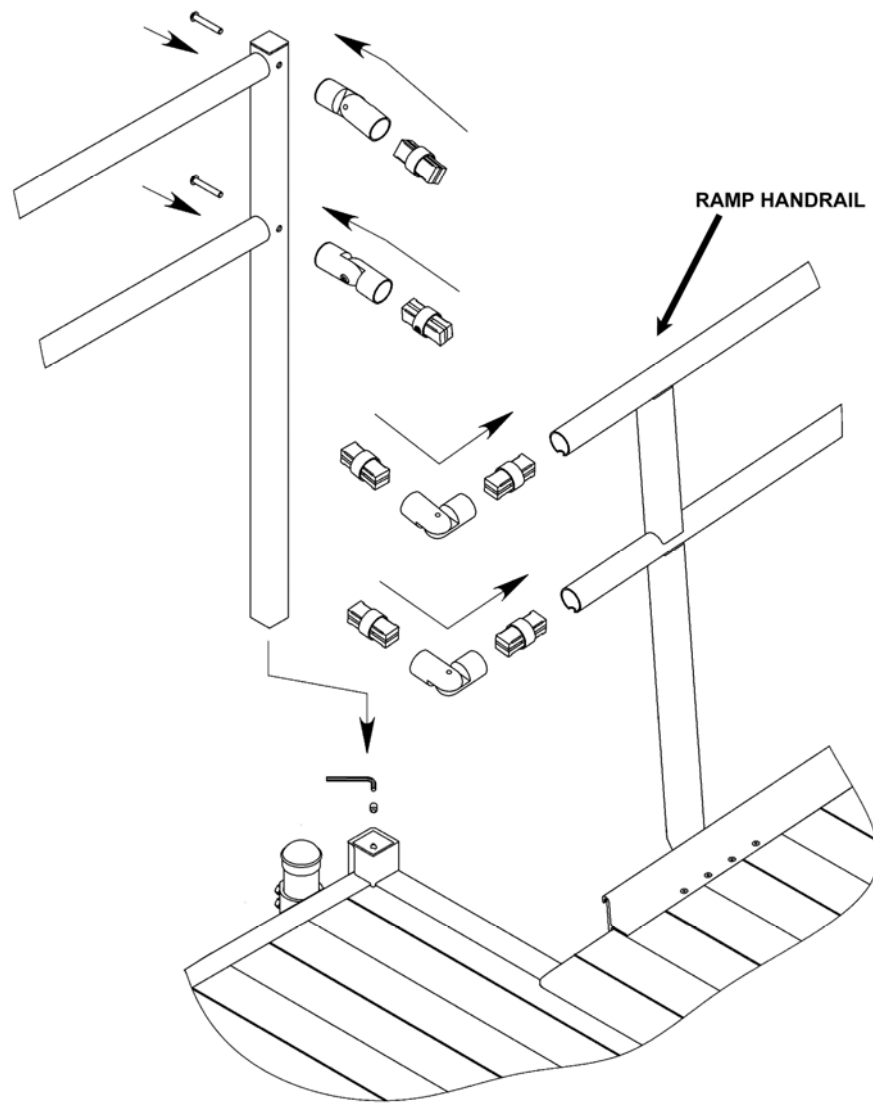


FIG 36



MEASURE GAPS,
CUT, AND INSTALL
TUBES

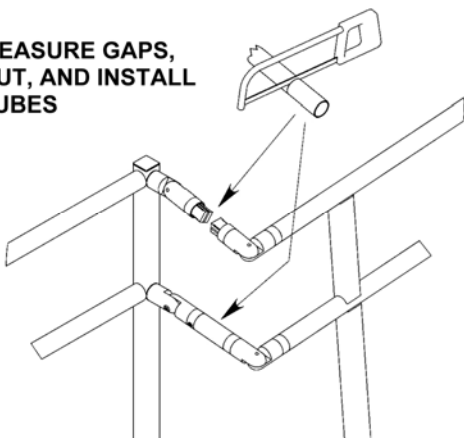


FIG 37

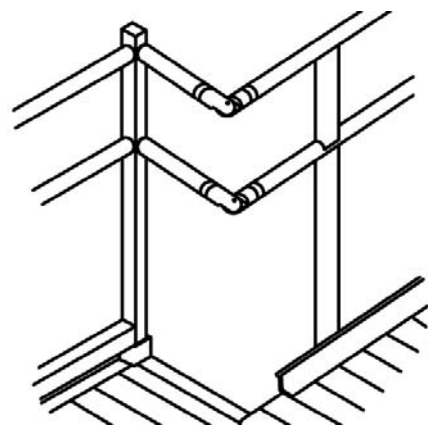


FIG 38

12) **INSTALL OPTIONAL TOP SUPPORT ASSEMBLY:**

- A) The top support assembly provides supplemental support at the upper end of the ramp. When used, the top support assembly replaces the Ramp Handrail End Brackets.
- i) Attach top support brackets with two each 5/16" x 1 1/2" bolts and two each 5/16" flat washers.
- NOTE:** There is a left and right top support bracket. The two 3/8" studs aligned horizontally should be toward the end of the ramp (FIG 39).
- B) The following steps are done AFTER the ramp is resting on a supporting surface and the top transition plate is installed. **IMPORTANT:** Read "INSTALLING A SINGLE RAMP" and "ANCHOR TOP TRANSITION PLATE" sections and ensure all steps are completed before proceeding with the steps that follow.
- i) Install support tube bracket on each top ramp support bracket using two each 3/8" nylock nuts into the threaded holes and two each 3/8" flat washers. DO NOT TIGHTEN (FIG 40).
- ii) Install two each 3/8" x 1/2" hex bolts into the threaded holes on the support tube bracket.
- iii) Slide support tube into support tube bracket and onto base foot.
- iv) Level support tube and then tighten 3/8" nylock nuts to secure support tube bracket (FIG 41).
- v) Adjust height as needed, and then tighten bolts.
- vi) Place end caps on support tube.

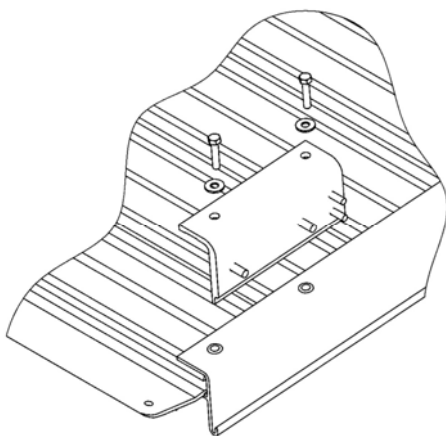


FIG 39

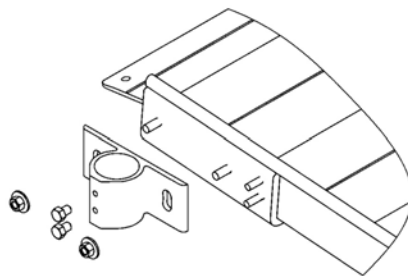


FIG 40

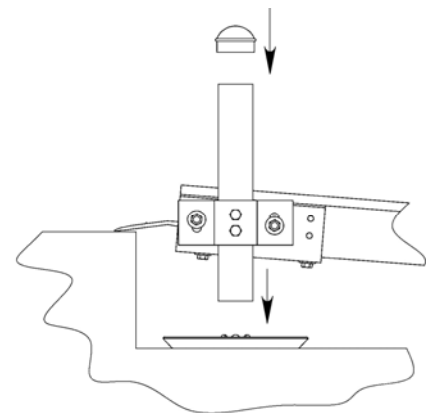


FIG 41

12) **INSTALL OPTIONAL LIGHTNING ROD GROUNDING KIT:**

The Lightning Rod Grounding Kit provides a path for lightning strikes into the ground.

⚠ WARNING: Prior to installing the grounding rod, ensure that any underground electrical conductors, natural gas lines, water/drain lines, and/or other interferences are located and will not hinder the installation.

- i) Install the EZ-ACCESS[®] Modular ramp system.
- ii) Drive the grounding rod straight into the ground as close as possible (at least within 1½') to one of the support tubes, leaving approximately 2" exposed.
- iii) Install the hose clamp around support tube. Place #8 copper wire under hose clamp and tighten so that wire is in good contact with support tube.
- iv) Install 5/8" grounding rod clamp to grounding rod. Place #8 wire between clamp and rod, then tighten clamp.

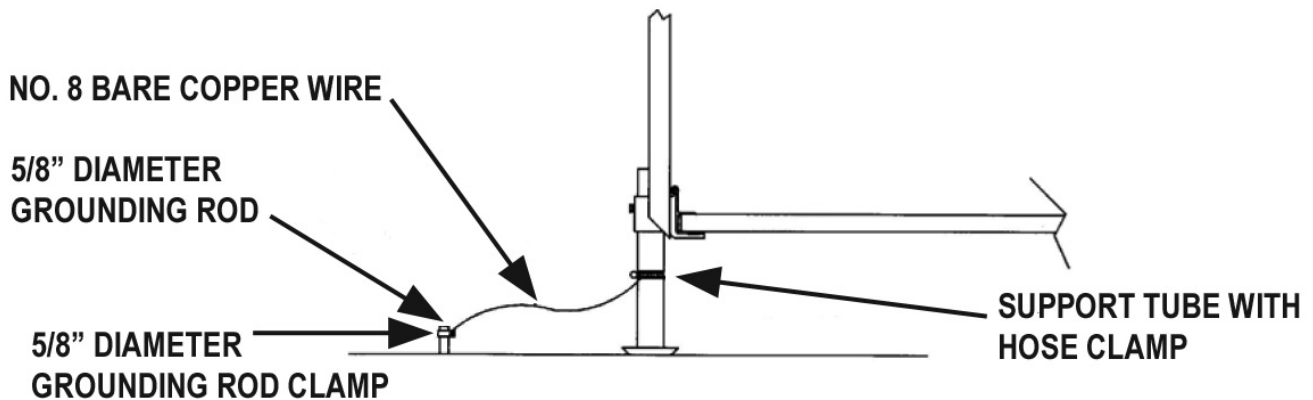


FIG 42

13) INSTALL OPTIONAL HURRICANE TIE-DOWN KIT:

The installer, based on field conditions, will determine the exact location of the tie downs. As a rule, they should be positioned opposite one another and near the center of ramp as shown in FIG 43. (METHOD A, as shown in FIG 44 is to be used for securing platforms only.)

The Tie Down Installation Kit meets the requirements of Section 6.0 of ASCE 7-02 (wind loads) for ensuring that all EZ-ACCESS Ramp systems are properly restrained against hurricane strength winds.

Install the EZ-ACCESS® Modular ramp system ramp system to establish layout and locations. It may be necessary to temporarily reposition components in order to install anchor augers.

⚠ WARNING: Prior to installing the anchor augers into the ground, ensure that any underground electrical conductors, natural gas lines, water/drain lines, and/or other interferences are located and will not hinder the installation.

⚠ WARNING: The tie down installation should be completely inspected for any loose wire ropes, fasteners, anchor augers, etc. after being subjected to strong winds.

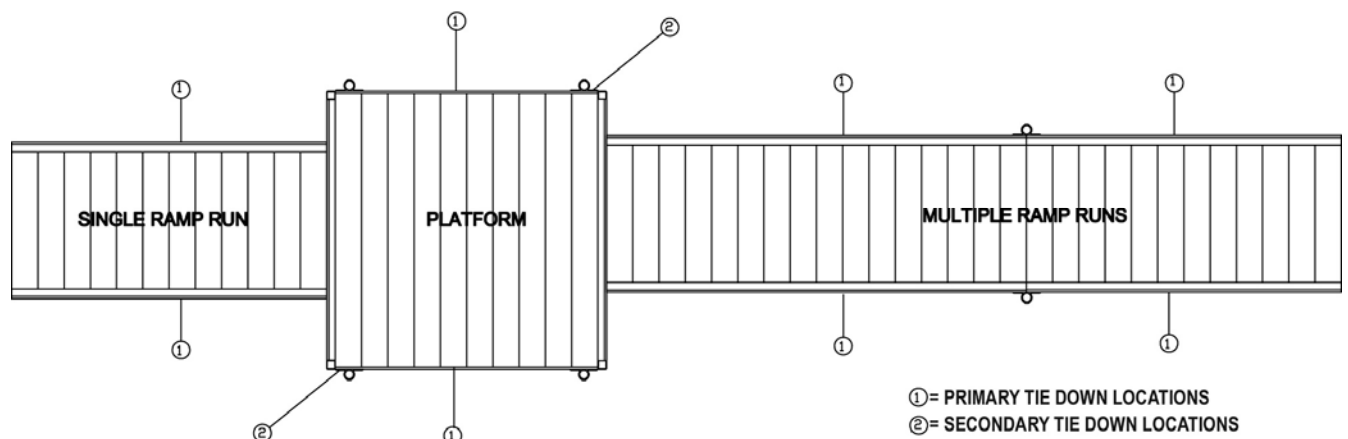
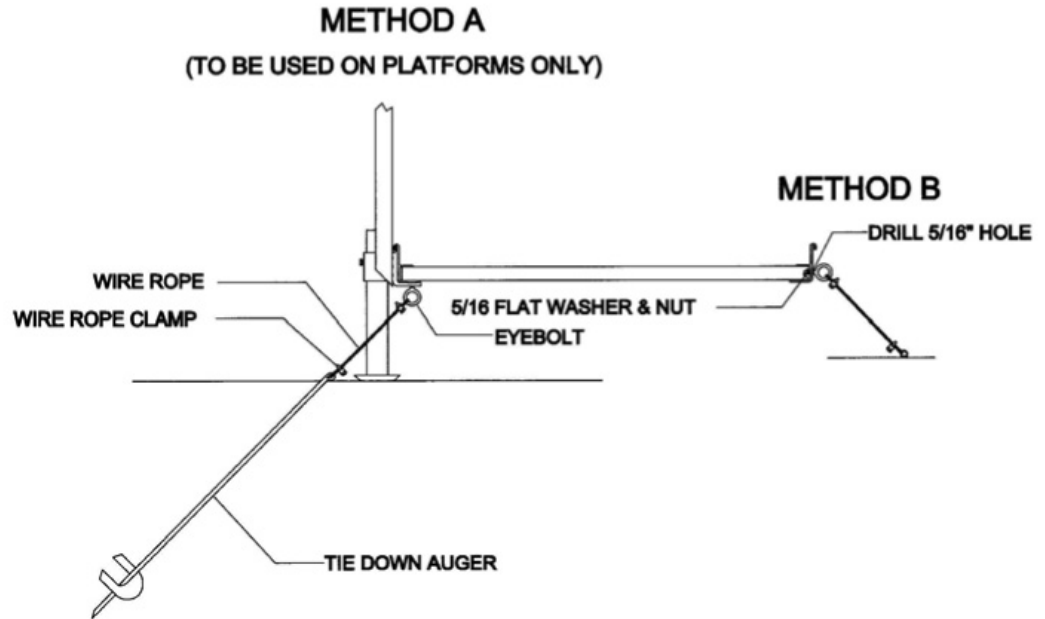


FIG 43

FIG 44



A) **RAMP**

- i) Refer to FIG 44, METHOD B.
- ii) Install one TIE DOWN KIT per each 10-feet of ramp (e.g., 8' of ramp requires one TIE DOWN KIT, but 12' of ramp requires two). See FIG 43 for acceptable locations.
- iii) Drill a 5/16" hole below the tread surface and between the ribs underneath the treads in each of the side rails at the center of the ramp.
- iv) In this drilled hole, install one of the 5/16" eyebolts and secure to the ramp using one 5/16" flat washer and one 5/16" nut.
- v) Install the tie down anchor augers into the ground, inline with the eyebolts and perpendicular to the ramp at an approximate angle of 30 degrees. Use a 1/2" steel rod (or similar item) through the eye of the anchor auger to turn the anchor auger into the ground. Keep turning the auger until only the eye is exposed.
- vi) Secure one end of the wire rope to one of the eyebolts using the supplied 3/16" wire rope clamps. Thread the other end of the wire rope through the eye of the anchor auger and secure the wire rope to itself using the supplied 3/16" wire rope clamps. **NOTE:** Ensure that the wire rope has been pulled taut and all slack has been removed prior to securing it to the anchor auger.
- vii) Cut the excess wire rope as required using a cable cutter or other appropriate tool. Wrap vinyl electrical tape at the cut end to keep the wire rope from fraying.
- viii) Repeat on the opposite side of ramp section.

B) **PLATFORM**

- i) Refer to FIG 44, METHOD A.
- ii) Install one TIE DOWN KIT per Platform.
- iii) Install eyebolts by removing the 5/16" x 1 1/2" bolt, then inserting the eyebolt in its place (see FIG 43 for acceptable locations).

WARRANTY & REGISTRATION



1. EZ-ACCESS, a division of Homecare Products, Inc., herein referred to as Manufacturer, warrants that equipment is free from defects in material and workmanship under normal use and service. This limited warranty is effective for a period of 3 years from the date of original retail purchase (**original dated purchase receipt** is required) and applies to metal structure only (excludes powder coated finish and applied non-skid tread). No part of this warranty will not apply to any equipment which has been subject to misuse, vandalism, negligence, alteration, accident, improper installation, or which has been repaired outside Manufacturer's place of business in any way as, in the reasonable judgment of Manufacturer, to adversely affect its performance and reliability, nor to normal deterioration due to wear, tear and exposure, corrosion, damage caused by rain, fire, earthquake or other natural causes or acts of nature.
2. The attached registration card must be mailed within 10 days of purchase. Manufacturer's obligation under this warranty is limited to repairing or replacing, at its option, equipment which is returned to Manufacturer's place of business with a return authorization number (SEE #4 FOR DETAILS) and which, upon examination, shall disclose to Manufacturer reasonable satisfaction to have been thus defective. Manufacturer will make the repair or replacement of defective parts under this warranty without charge for parts or labor.
3. If Manufacturer finds that any equipment has not provided the warranted service life, Manufacturer will, as its sole obligation and the user's sole remedy for breach of this warranty, repair or replace the unit, at its option, for a charge prorated on the following basis. The user will be allowed a credit against the list price of equivalent equipment at the time of return to Manufacturer, in proportion to the percentage of the warranted service life remaining at the time of return to Manufacturer. Purchaser will be responsible to pay the balance of the list price of equivalent equipment; and Manufacturer reserves the right to require payment prior to delivery of the repaired/replacement equipment. Manufacturer's whole warranty responsibilities are summarized below (return shipping/delivery charges to be paid by the Purchaser). NOTE: In calculating available credit, the remaining warranted service life will be rounded up or down to the nearest whole year).
 - YEARS 0-1: Unit repaired or replaced.
 - YEARS 1-2: Repair or 50% \$ credit (current list price multiplied by credit percentage).
 - YEARS 2-3: Repair or 25% \$ credit (current list price multiplied by credit percentage).
4. If Purchaser discovers a defect, he/she must call Manufacturer at 253-249-1101 to request an RA# to return, at his/her own expense, the merchandise to Manufacturer. Prior to returning product, digital images of merchandise (close-up of defect, plus photo of overall product) must be submitted (an email address will be provided at the time an RA# is given). The duration of any implied warranty of merchantability or fitness for a particular purpose shall be limited in all respects to the duration of the limited warranty and the warranty described above shall be in lieu of any other express warranty. Some states do not allow limitation on how long an implied warranty will last so the above limitation may not apply to you. Manufacturer neither assumes nor authorizes any other person to assume for it any other liability in connection with Manufacturer.
5. The buyer's sole and exclusive remedy against the Manufacturer shall be for the repair or replacement of defective merchandise as provided above. No other remedy, including but not limited to, incidental or consequential damages for lost profits, lost sales, injury to property, or any other incidental or consequential loss shall be available to him/her. Labor to remove, ship, and/or reinstall ramp is not covered my manufacturer's warranty. Because some states do not allow the exclusion or limitation of incidental or consequential damages, the above limitation or exclusion may not apply to you. Before using, user shall determine the suitability of the product for its intended use and user assumes all risk and liability whatsoever in connection therewith.
6. This warranty gives you specific legal rights. You may also have other rights, which vary from state to state.

14) **FINAL CHECKS:**

- A) Ensure that all fasteners are in place and secure.
- B) Walk on the assembled system, checking for any undue movement.
- C) Remove any debris and metal chips.
- D) Ensure that the level and slope has not shifted during installation.
- E) Check that all handrail ends are covered (either with loops or with end caps).
- F) CONGRATULATIONS! Your EZ-ACCESS® Modular Ramp System is assembled.

15) **PERIODIC MAINTENANCE AND SAFETY:**

- A) Caution should be used at all times. Proper maintenance and upkeep to the ramp surface is vital.
- B) **IMPORTANT: USE ONLY WITH A QUALIFIED HELPER.**
- C) Always use your lap belt.
- D) It is important that you refer to your equipment's Owner Guide for the proper degree of incline/decline and chair direction before attempting ramp use. Never exceed its recommendations.
- E) Periodically check and tighten any loose fasteners to ensure safety.
- F) At all times, keep the ramp clear of dirt, leaves, and other debris that may accumulate on the surface. Simply sweeping the ramp or using a garden hose will usually suffice, but, if needed, a damp cloth or soft brush with soap and water can be used (avoid alkaloid detergents). **Rinse well and use extra caution when the ramp surface is wet.**
- G) If ramp surface is covered with ice and/or snow, remove before use. Snow accumulation should be shoveled and the tread surface swept clean. Calcium Chloride salt substitute may be used to melt snow or ice accumulation on the ramp, however, after the snow and/or ice threat has cleared, be sure to clean the tread surface with soap and water (avoid alkaloid detergents) to remove Calcium Chloride residue. **Rinse well and use extra caution when the ramp surface is wet.**
- H) Do not play on or near ramp.
- I) Do not use handrails or ramp to support planters, decorations, etc.
- J) Ramp surface may become slippery when wet.
- K) If any part of the ramp is damaged or loose, **DO NOT USE UNTIL REPAIRS CAN BE MADE BY A CERTIFIED INSTALLER OR OTHER QUALIFIED PERSON.**



WARRANTY REGISTRATION

EZ-ACCESS • 1704 B ST. NW STE 110 • AUBURN, WA 98001-1650

TYPE EZ-ACCESS MODULAR RAMP	MANUFACTURED DATE	SEE LABEL ON SIDE OF RAMP
NAME	PHONE	
ADDRESS	CITY, ST, ZIP	
NAME OF DEALER	DEALER'S CITY, ST, ZIP	
PRICE	DATE PURCHASED	
WHERE WILL RAMP BE USED?		
WHAT INFLUENCED YOUR PURCHASE OF THIS RAMP?		
<input type="checkbox"/> FRIEND RECOMMENDED	<input type="checkbox"/> DEALER RECOMMENDED	<input type="checkbox"/> WEBSITE
<input type="checkbox"/> OTHER (PLEASE EXPLAIN)	<input type="checkbox"/> ADVERTISING/MAGAZINE	

Please mail warranty information within 10 days of purchase.

Thank you for choosing
EZ-ACCESS Modular Ramps.
Please visit
www.ezaccess.com
or contact us at 1-800-451-1903
for all of your ramping needs.

© 2003-2007 HOMECARE PRODUCTS, INC. All rights reserved.

All text and images contained in this document are proprietary and may not be shared, modified, distributed, reproduced, or reused without the express written permission of EZ-ACCESS, a division of Homecare Products, Inc.

6421 REV 09-10-07