



Spaloo LLC  
2421 West Pratt #411  
Chicago, IL 60645  
1-888-772-5662  
[www.spaloo.com](http://www.spaloo.com)  
[info@spaloo.com](mailto:info@spaloo.com)



## USER GUIDE

Classic II



Preparation

Installation

Operation

Maintenance  
& Cleaning



This user guide contains the product warranty certificate.

Be sure to read this user guide carefully before use.

• 120V 60Hz   

# CONTENTS

1. Safety Instructions .....	4	Preparation
2. Product Characteristics .....	8	
3. Designation of Each Component .....	9	
4. Installation .....	11	Installation
5. Trial Operation .....	13	
6. Disassembly of Product .....	14	
7. How to Use the Product .....	16	Operation
8. User Settings .....	20	
9. Maintenance & Cleaning .....	22	Maintenance & Cleaning
10. Before requesting repair .....	24	
11. Product Specifications .....	25	
12. Comparison Chart .....	26	
13. Warranty Information .....	27	

**THIS UNIT WAS MANUFACTURED FOR HOUSEHOLD USE ONLY.  
READ ALL OPERATING INSTRUCTIONS BEFORE INSTALLATION.**

#### Notes

1. This product should be installed according to this manual.
2. Please read this manual carefully and install properly.
3. Please save this manual and place it at an easily accessible place.
4. Do not attempt to service this appliance yourself. Doing so could void warranty.

# 01. Safety Instruction

## IMPORTANT SAFEGUARDS

When using electrical products, especially when children are present, basic safety precautions should always be followed, including the following:

**READ ALL INSTRUCTIONS BEFORE USING**

## INSTALLATION

- In the case 120V 60Hz : Power supply must be a
- 15Amp GFCI outlet.
- The electrical cord must be at least 4ft. long.
- The electrical cord must be connected to a GFCI outlet.
- The GFCI outlet should be 1 ft. above the floor.
- Install only in well-ventilated areas to avoid excess humidity.
- Do not install in narrow toilet stalls or in shower stalls. Install only where direct contact with water is minimized.
- Do not install near any heat source.
- Avoid using extension cords if possible. Consult with a certified electrician where extension cords are necessary.

## DANGER - To reduce the risk of electrocution:

- ① Do not use while bathing.
- ② Do not place or store product where it can fall or be
- ③ pulled into a tub or sink.
- ④ Do not place in or drop into water or other liquid. Do not reach for a product that has fallen into water. Unplug immediately.

**WARNING** - To reduce the risk of burns, electrocution, fire, or injury to persons.

- ① Close supervision is necessary when this product is used by, on, or near children or invalids.
- ② Use this product only for its intended use as described in this manual. Do not use attachments not recommended by the manufacturer.
- ③ Never operate this product if it has a damaged cord or plug, if it is not working properly, if it has been dropped or damaged, or dropped into water. Return the product to a service center for examination and repair.
- ④ Keep the cord away from heated surfaces.
- ⑤ Never use while sleeping or drowsy.
- ⑥ Never drop or insert any object into any opening or hose.
- ⑦ Do not use outdoors or operate where aerosol (spray) products are being used or where oxygen is being administered.
- ⑧ Connect this product to a properly grounded outlet only. See Grounding Instructions.
- ⑨ Unplug this product before filling. Fill (reservoir) with water only unless otherwise specified by manufacturer. Do not overfill (or specify filling instructions).

**SAVE THESE INSTRUCTIONS**

# 01. Safety Instruction

## GROUNDING INSTRUCTIONS

This product should be grounded. In the event of an electrical short circuit, grounding reduces the risk of electric shock by providing an escape wire for the electric current.

This product is equipped with a cord having a grounding wire with a grounding plug. The plug must be plugged into an outlet that is properly installed and grounded.

**DANGER - Improper use of the grounding plug can result in a risk of electric shock.**

If repair or replacement of the cord or plug is necessary, do not connect the grounding wire to either flat blade terminal. The wire with insulation having an outer surface that is green with or without yellow stripes is the grounding wire. Check with a qualified electrician or serviceman if the grounding instructions are not completely understood, or if in doubt as to whether the product is properly grounded.

For a grounded, cord connected product rated 15 A or less and intended for use on a nominal 120 V supply circuit. This product is for use on a nominal 120 V circuit, and has a grounding plug that looks like the plug illustrated in sketch A in Figure 1 temporary adapter, which looks like the adapter illustrated in sketches B and C, may be used to connect this plug to a 2-pole receptacle as shown in sketch B if a properly grounded outlet is not available.

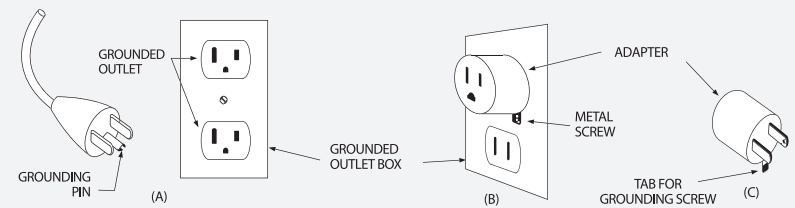


Figure 1.

The temporary adapter should be used only until a properly grounded outlet (sketch A) can be installed by a qualified electrician.

The green colored rigid ear, lug, and the like extending from the adapter must be connected to a permanent ground such as a properly grounded outlet box cover. Whenever the adapter is used, it must be held in place by the screw.

## 02. Product Characteristics

### ● Continuous Warm Water Supply

Enjoy continuous warm water throughout the wash cycle.



### ● Power wash

Soft but powerful water wash for added cleansing benefit.



### ● Bubble Wash

Aerated water wash adds cleaning comfort.



### ● Massage

Nozzle moves back and forth for massage effect.



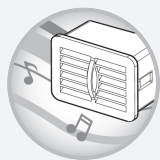
### ● Pulse

Pulsating wash repeatedly cycles from weak to strong.



### ● Deodorization Function

Semi-fundamental deodorizing filter provides odor-free during use.



### ● Energy Saving Function

It finds out the time frame when used frequently, realizing the maximum energy saving effect.



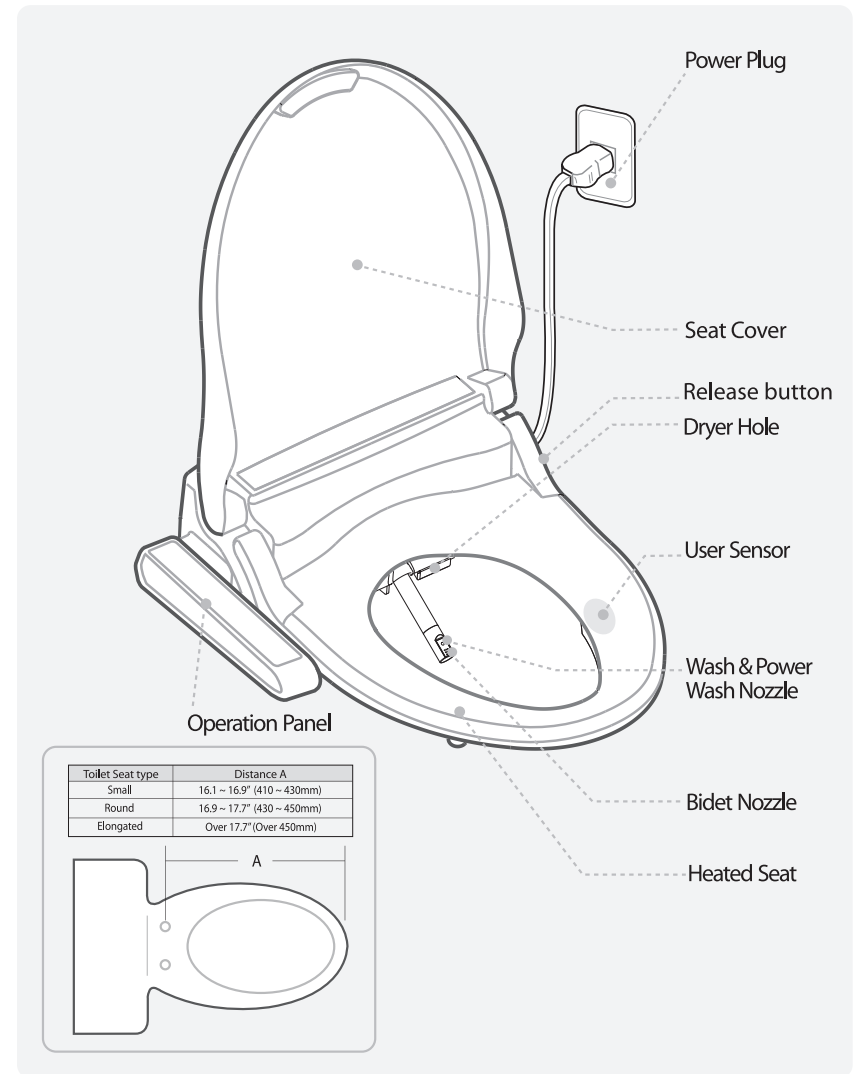
### ● Child Settings

Specialized nozzle position and water pressure for children.

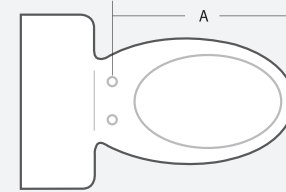


## 03. Designation of Each Component

### Main Body



Toilet Seat type	Distance A
Small	16.1 ~ 16.9" (410 ~ 430mm)
Round	16.9 ~ 17.7" (430 ~ 450mm)
Elongated	Over 17.7" (Over 450mm)



# 03. Designation of Each Component

## Operation Panel

**STOP**  
To stop all functions

**BIDET**  
To run the bidet function (2 minutes)

**FR/BK**  
Controls the nozzle location as desired

**PULSE**  
To run the Pulse function during Wash/Bidet/Power Wash. Water pressure is rhythmically changed from strong to weak.

**CHILD**  
Children safety mode  
Nozzle moves to forward and water pressure is weak

※ Child lamp on-and-off

**ENERGY SAVING**  
1 step : Automatic mode  
2 step : Learning Energy saving  
3 step : Cancel the Energy saving function

**WASH**  
To run the wash function (2 minutes)

**POWER WASH**  
To run the POWER WASH function (2 minutes)

**DRY**  
To run the dry function (3 minutes) (DIB-2300,2500 only)

**HI/LO**  
Adjusting water pressure /dry level in 5 steps.

**MASSAGE**  
To run the Massage (oscillating) during Wash/Bidet/Power. Nozzle moves back and forth automatically. Press it again to stop the function.

**SEAT TEMP**  
To adjust the seat temp. by 3 steps (34°C/38°C/42°C)

**WATER TEMP**  
To adjust the water temp. by 3 steps (34°C/36°C/38°C)

**MASSAGE CONTROL**  
Massage width will be controlled by Child button in DIB-2300/2500 and controlled by Massage Contro button in DIB-2100

## Accessories

**Bolts**

**Nuts**

**Rubber Pads**

**Bracket Holders**

**Bracket**

**Spare nut**

**Rubber washer (for Spare nut)**

※ Optional

**Filter**

※ Optional

**T-Valve**

**Water Feed Hose (for Toilet)**

**Water Feed Hose (for Bidet)**

**Deodorizing Cartridge**

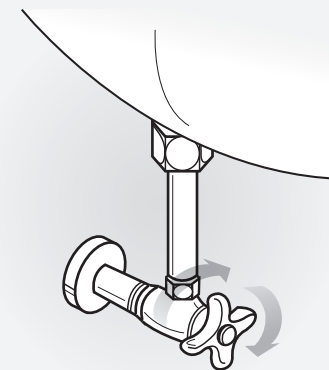
# 04. Installation

## Order of Installation

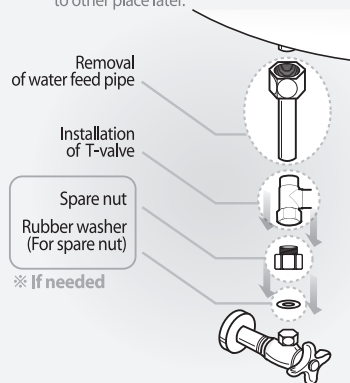
- 1 Remove the seat from the existing toilet body.
  - ▶ Release the nuts, and then remove the seat and cover from it.
  - ▶ Keep the removed seat, cover and nuts well in a proper place.



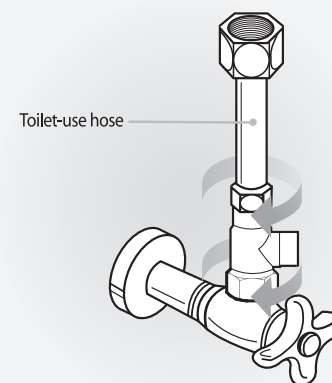
- 2 Close the water feed valve by turning it clockwise, and then drain the toilet water tank out.



- 3 Remove the water feed pipe and then install T-valve.
  - ▶ Keep the removed water feed pipe well in a proper place. It may be useful when moving house to other place later.

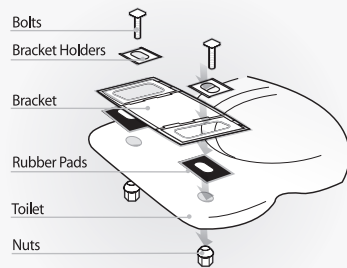


- 4 Connect the toilet-use hose.



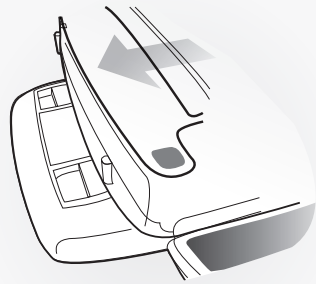
## 04. Installation

- 5** Fix the bracket onto the toilet first.



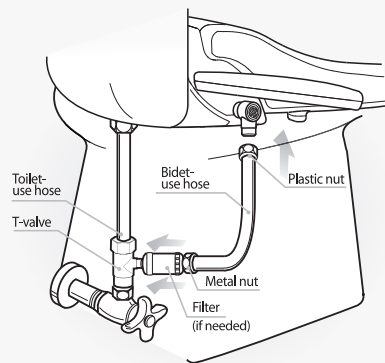
▶ Adjust the seat and the front part of toilet back and forth so that they can correspond with before fastening the nuts.

- 6** Push the main body toward the bracket completely.

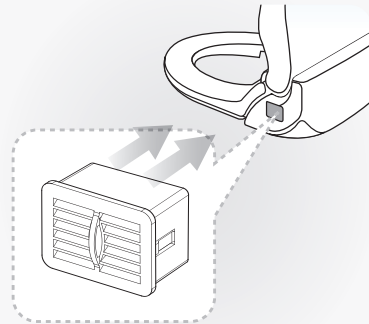


▶ Push it in until it sounds 'click'.  
▶ When the product is not installed well, it may cause leakage.

- 7** After installing the filter onto the T-valve, connect the bidet-use hose to the bidet body.



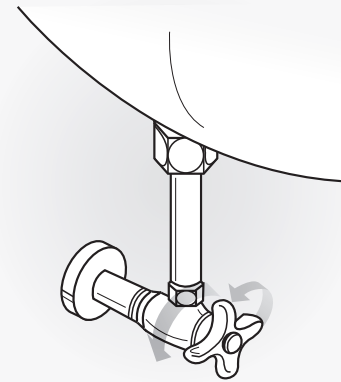
- 8** Insert the deodorizing cartridge into the bidet body.



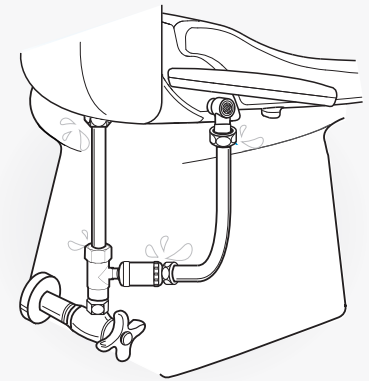
## 05. Trial Operation

### Order of Trial Operation

- 1** Open the water feed valve by turning it anti-clockwise.

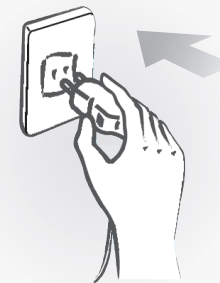


- 2** Be sure of no leakage around the hose connection.

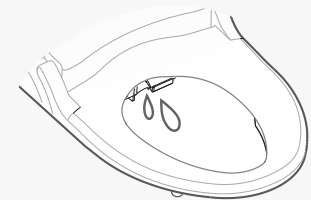


- 3** Be sure that logo light on the top turns on and nozzle comes and retracts when powered on.

▶ Don't plug the power cord with wet hands.  
Risk of electric shock.



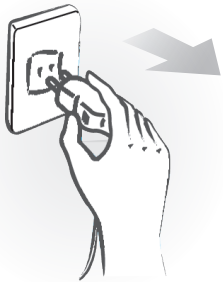
- 4** When the unit is powered on, water tank will be filled immediately. Check if water comes out from drain hole for 1~2 seconds.



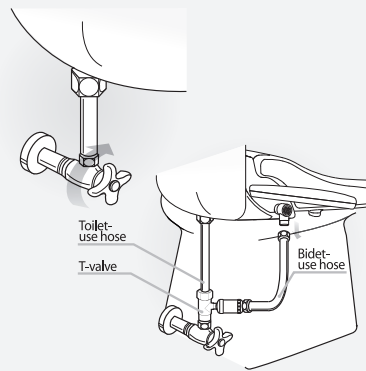
# 06. Disassembly of Product

## Order of Disassembly

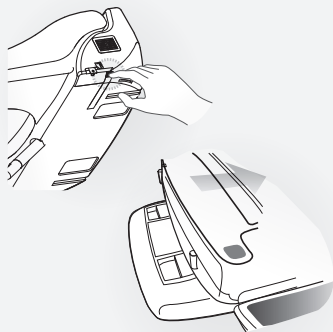
- 1 Remove the power plug from the outlet.



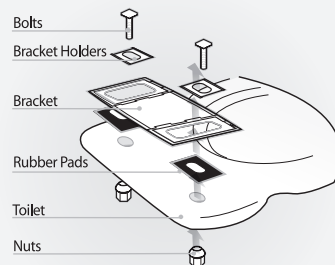
- 2 Close the water feed valve by turning it clockwise, completely drain out the toilet water tank, release the nuts at bidet body of the bidet hose, and then remove them from main body.



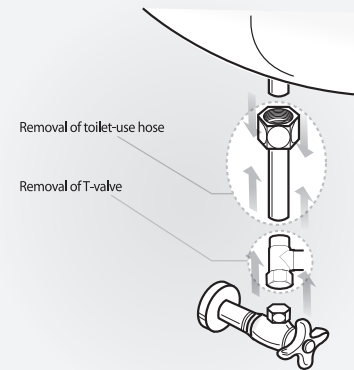
- 3 Press the release button on the side of bidet, completely drain the water from the water tank. After drain the water throughly, pull the main body forward, and then remove it from the toilet.



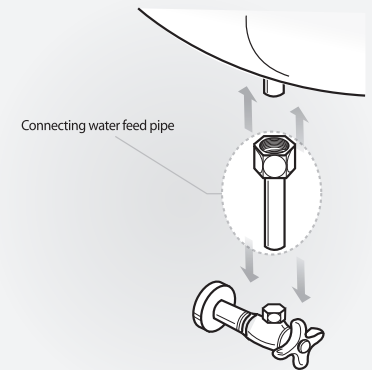
- 4 Release the nuts, and then remove the brackets from the toilet.



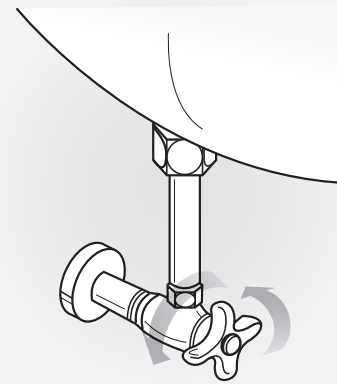
- 5 Remove bidet hose, toilet-use hose and T-valve.



- 6 Connect the water feed pipe that was removed when the bidet was installed.



- 7 Open the water feed valve by turning it anti-clockwise. Be sure of no leakage around the water feed connection.



- 8 Attach to the toilet the seat and cover that were removed when the bidet was installed.

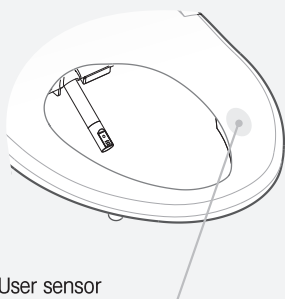


# 07. How to Use the Product

## Basic Operation Method

### 1 Sit on the toilet seat.

- ▶ Be sure to sit on the user sensor of seat.  
If the sensor is not occupied, functions will not work.  
Deodorizing function starts automatically (DIB-2500 only)



### 2 Press WASH, BIDET, Power wash buttons.

- ▶ Selected function can be used as desired.
- ▶ After Wash, Bidet and Power Wash, dryer works automatically.
- ▶ For sitz bath, press WASH again.  
Sitz bath works for 5 minutes at set temperature.



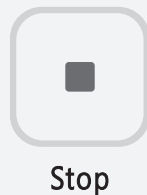
### 3 Press the DRY button

- ▶ Hot air indicator lamp will light on.
- ▶ Dryer works for 3 minutes.
- ▶ It is recommended to wipe out the water on your bottom before operating the dry function for improving dry effect.



### 4 Press the STOP button.

- ▶ Any operation will stop.
- ▶ Press STOP for 3 seconds to turn off unit.



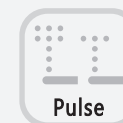
### 5 MASSAGE Wash

- ▶ When Pressing the MASSAGE button, nozzle location will be changed back and forth to wash the wider range.
- ▶ When pressing the CHILD button during the operation of MASSAGE, the moving distance can be adjusted within 5 steps.
- ▶ In case of DIB-2100, moving distance can be controlled by pressing MASSAGE CONTROL.



### 6 PULSE Wash

- ▶ When pressing PULSE button during the operation of WASH, BIDET and Power wash, water pressure will repeat HIGH/LOW level for smooth pulsating wash.



### 7 Water Pressure Control

- ▶ Pressing HIGH/LOW button enables the control of water pressure.
- ▶ When any foreign material blocks the water filter, it may cause the low water pressure.  
Regularly check it if for its stable use.



### 8 Nozzle Position Control

- ▶ Nozzle position can be controlled by pressing FR/BK.



# 07. How to Use the Product

## Basic Operation Method

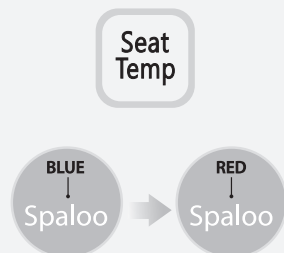
### 9 CHILD Function

- ▶ For child use, press the CHILD button first (Child lamp will light on), nozzle position, water pressure and seat temp. will be adjusted.
- ▶ Nozzle moves forward more than adult wash.
- ▶ Water pressure is weaker than adult wash.
- ▶ Seat temp. drops down by 4°C from set level.



### 10 Seat Temperature Control

- ▶ When pressing the SEAT TEMP. CONTROL button, the temperature of seat can be controlled within the range of room temperature, 34°C/38°C/42°C
- ▶ If the seat temperature reaches 34°C or more, the seat temperature indicator turns in RED. If not (under 33°C), it remains in BLUE.



### 11 WATER TEMP CONTROL

- ▶ When pressing the WATER TEMP. CONTROL button, the temperature of water can be controlled within the range of room temperature, 34°C/36°C/38°C



### 12 ENERGY SAVING Function

- ▶ Automatic Energy Saving Function
  - # When pressing the button once, it enters into automatic energy saving mode (Yellow LED lamp lights on)
  - # Seat temperature will be kept at 32°C.
  - # When sitting on the seat to use bidet, it turns to the pre-designated temperature; When getting out of the seat, it returns to the automatic energy saving mode.
- ▶ Learning Energy Saving Function
  - # When pressing the button twice, it enters into the learning energy saving mode. (Green LED lamp lights on)
  - # Learning energy saving enables MICOM to detect the time frame used by the users. It releases the energy saving function at the higher-frequency time frame to set the temperature of seat at the pre-designated level, while setting it at 32°C when the using frequency is lower, enabling the excellent energy saving effect.
  - # When using it at the lower frequency time frame, the preset temperature will increase during the time the user sits on the seat.
  - ▶ When pressing the button three times, the energy saving mode will be released.
- \* This product adopts the rapid water-heating method, and therefore doesn't consume the unnecessary power to operate the heater for the purpose of keep the water temperature. It means its power consumption is far less than the electronic bidet seats of other suppliers.

### 13 Deodorizing function

- ▶ When sitting on the seat, the deodorizing function starts automatically.
- ▶ Deodorizing function can be controlled by the following methods.
  - # While holding the STOP button, when pressing the hot water button once, deodorizing fan will rotate at slow speed during and even after the usage of bidet
  - # While holding the STOP button, when pressing the hot water button twice, deodorizing fan will rotate at slow speed during the usage of bidet, and at high speed when getting out of the seat.
  - # While holding the STOP button, when pressing the hot water button three times, deodorizing fan will rotate at high speed during and even after the usage of bidet
- ▶ After the usage of bidet, the deodorizing function will operate for one (1) minute.

### 14 Nozzle Cleaning

- ▶ While not sitting on the seat, and pressing the WASH button three times, the nozzle will move forward at its maximum distance so that the user can clean it easily (It will return after 2 minutes)
- ▶ When pressing STOP button, the nozzle will return and operate self-cleaning operation.

Longer than 3 seconds



Wash



**Consult your doctor before using Power Wash function in situations of anal disease/surgery.**

## User Instructions

- 1 Instructions and caution statements for cleaning, user maintenance, operations recommended by the manufacturer, such as lubrication or nonlubrication, and a warning to the user that any other servicing should be performed by an authorized service representative or that the product has no user serviceable parts. The manual or other literature packaged with the product shall also indicate the product is for household use.
- 2 Specific instructions for the proper method of cord storage, total product storage, and the like when the product is not in use; and for cord care while in use, such as for hand supported products, untwisting, and the like.

# 08. User Settings

● : Seat Switch 'Off' Status   ○ : Seat Switch 'On' Status   ◐ : Regardless of On/Off

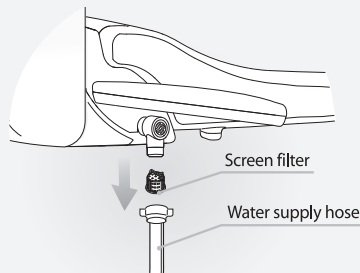
No	Function	Seat Status	Switch Operation	Description	Initial Status																														
1	Automatic Massage Preset/Release	○	Press MASSAGE button for 3 sec. or longer while in standby status (Same in case of releasing)	When pressing WASH, BIDET, POWER WASH button, MASSAGE will operate automatically even if not press the MASSAGE button.	CANCEL																														
2	Automatic Pulse Preset/Release	○	Press PULSE button for 3 sec. or longer while in standby status (Same in case of release)	When pressing WASH, BIDET, POWER WASH button, PULSE will operate automatically even if not pressing the PULSE button.	CANCEL																														
3	Operating Signal Cancel	●	Press MASSAGE for 3 sec.	Use when turning off the operating signal	Operating Signal is turned on																														
4	Selecting the operating time of WASH, (BIDET, POWER WASH) and DRY	●	Press 'Backward' and 'Low' buttons for longer than 3 sec. Preset Mode: Selecting the desired time by the buttons of High/Low, Forward/Backward.	<ul style="list-style-type: none"> <li>Using High/Low button, select the desired washing time.</li> </ul> <table border="1"> <tr> <td colspan="2">High</td> <td colspan="3">Low</td> </tr> <tr> <td>○</td><td>○</td><td>○</td><td>○</td><td>○</td> </tr> <tr> <td>5M</td><td>3M</td><td>2M</td><td>1M</td><td>30S</td> </tr> </table> <ul style="list-style-type: none"> <li>Using Forward/Backward button, select the desired drying time</li> </ul> <table border="1"> <tr> <td colspan="3">Forward</td> <td colspan="2">Backward</td> </tr> <tr> <td>○</td><td>○</td><td>○</td><td>○</td><td>○</td> </tr> <tr> <td>5M</td><td>4M</td><td>3M</td><td>2M</td><td>1M</td> </tr> </table>	High		Low			○	○	○	○	○	5M	3M	2M	1M	30S	Forward			Backward		○	○	○	○	○	5M	4M	3M	2M	1M	Washing 2 Min. Drying 3 Min.
High		Low																																	
○	○	○	○	○																															
5M	3M	2M	1M	30S																															
Forward			Backward																																
○	○	○	○	○																															
5M	4M	3M	2M	1M																															
5	Selecting the speed of deodorizing fan:	◐	While pressing the STOP button, press the Water Temp button	<table border="1"> <tr> <th colspan="2">Water Temp (LED)</th> <th colspan="2">Speed of Deodorizing Fan</th> </tr> <tr> <td>○</td><td>○</td><td>Seated</td><td>Unseated</td> </tr> <tr> <td>OFF</td><td>OFF</td><td>OFF</td><td>OFF</td> </tr> <tr> <td>OFF</td><td>OFF</td><td>ON</td><td>Low speed</td> </tr> <tr> <td>OFF</td><td>ON</td><td>ON</td><td>Low speed</td> </tr> <tr> <td>OFF</td><td>ON</td><td>ON</td><td>High speed</td> </tr> <tr> <td>ON</td><td>ON</td><td>ON</td><td>High speed</td> </tr> </table>	Water Temp (LED)		Speed of Deodorizing Fan		○	○	Seated	Unseated	OFF	OFF	OFF	OFF	OFF	OFF	ON	Low speed	OFF	ON	ON	Low speed	OFF	ON	ON	High speed	ON	ON	ON	High speed	High speed while seated, High speed while unseated.		
Water Temp (LED)		Speed of Deodorizing Fan																																	
○	○	Seated	Unseated																																
OFF	OFF	OFF	OFF																																
OFF	OFF	ON	Low speed																																
OFF	ON	ON	Low speed																																
OFF	ON	ON	High speed																																
ON	ON	ON	High speed																																

No	Function	Seat Status	Switch Operation	Description	Initial Status
6	Saving the washing water pressure /nozzle position	○	Pressing WASH button for 3 sec. during the operation of WASH	Saving the present operating condition. Even if other user uses the different pressure and position, when he gets out of the seat, it will automatically return to preset level.	Water pressure 3 steps Nozzle 3 steps.
7	Saving the bidet water pressure and nozzle position	○	Pressing BIDET button for 3 sec. during the operation of BIDET	Saving the present operating condition. Even if other user uses the different pressure and position, when he gets out of the seat, it will automatically return to preset level.	Water pressure 3 steps Nozzle 3 steps.
8	Saving the Power Wash water pressure and nozzle position	○	Pressing Power Wash button for 3 sec. during the operation of Enema Wash	Saving the present operating condition. Even if other user uses the different pressure and position, when he gets out of the seat, it will automatically return to preset level.	Water pressure 3 steps Nozzle 3 steps.
9	Turning off	●	Press STOP button for 3 sec.	Press one of STOP, WASH, BIDET and POWER WASH to turn on the unit.	
10	Initialization	●	Press STOP button for 5 sec.	Initializing all the functions to the initial status.	

# 09. Maintenance & Cleaning

## Cleaning of Water pipe filter

- 1 Close the water feed valve by turning it clockwise.
- 2 Disconnect the water supply hose. Take the screen filter out and clean it with soft brush. (e.g. toothbrush)
- 3 After cleaning, place it back. Then connect the water supply hose.
- 4 Open the water feed valve by turning it anti-clockwise.



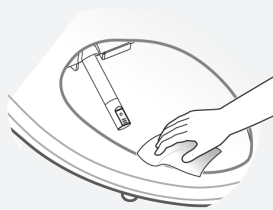
## Cleaning of Nozzle

- 1 Press the WASH button for 3 seconds, and then the nozzle will move forward and stop (for 2 minutes)
- 2 Clean the nozzle with a unused toothbrush, etc., and press the STOP button, then it will return to the original place for self cleaning.



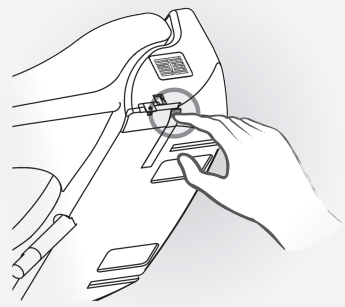
## Cleaning of Bidet Body

- 1 Exterior surface of bidet is made of plastic material, which may be damaged by scrubber, chemicals, etc.
- 2 Wipe the surface with a soft cloth wet and squeezed completely. Don't spray water directly onto the surface with the bath-use shower device.
- 3 Clean the body after removing the power plug from the outlet. Be sure no water splash to the power plug or outlet.
- 4 Don't touch the power outlet with wet hand. Risk of electric shock.



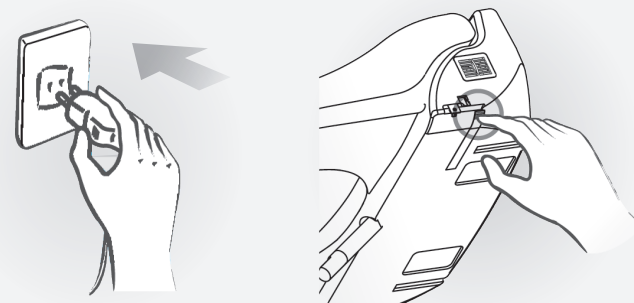
## Drainage of Hot Water Tank

- 1 Remove the power plug from the outlet.
- 2 Close the water feed valve by turning it clockwise.
- 3 Press the release button on the side of main body.



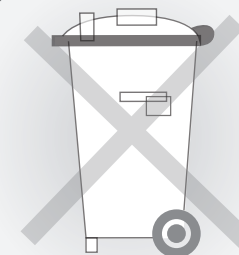
## Maintenance during winter season

- 1 Insert the power plug into the outlet and be sure if the power is supplied.
- 2 When it is not used for a long time, drain the water from the water tank



## Do not throw away

We are committed to protect the environment. Please help us by disposing of this product in a responsible way when it reaches the end of its service life, to prevent certain substances contained in electric and electronic products from harming public health or the environment. The symbol means that the products may not be thrown away with other household waste: at the end of its service life, it may be taken at no charge to you to the waste-collection centers provided for the purpose by the authorities in your country. It may be taken to the distributor from whom you purchase a new product that is equivalent to or that performs the same functions as this product. This later option may not be available in some countries.



# 10. Before requesting repair

※ Please check the following points before requesting the repair of the product.

Signs to occur	Matters to be checked
Completely out of operation	<ul style="list-style-type: none"> <li>• Check if the power plug is not connected.</li> <li>• Check the power failure.</li> </ul>
Water does not spray out	<ul style="list-style-type: none"> <li>• Check if the water supply is suspended.</li> <li>• Check if water feed valve is locked</li> <li>• Check if nozzle is blocked by foreign material</li> <li>• Check if connection hose is bent</li> </ul>
Water pressure is low	<ul style="list-style-type: none"> <li>• Check if water pipe filter is blocked by foreign material.</li> <li>• Check if the water pressure is set at too low level</li> </ul>
Water is not warm enough	<ul style="list-style-type: none"> <li>• Check if its temperature is set at 'Off' or 'Low'.</li> </ul>
Seat is not warm enough	<ul style="list-style-type: none"> <li>• Check if its temperature is set at 'Off' or 'Low'</li> </ul>

## Self-Diagnosis Table

※ When any abnormal phenomenon occurs, please refer to the following table, and inform the exact status at the time of requesting A/S service.

No	Self-Diagnosis Phenomenon	Way of Indication
1	Inlet hot water sensor disconnected or not inserted	LED Hot Water Temp. Med & Low blinked simultaneously
2	Inlet hot water sensor short-circuited and temperature excessively increased.	LED Hot Water Temp. Med & High blinked simultaneously
3	Outlet hot water sensor disconnected or not inserted	LED Hot Water Temp. Med & Low blinked separately
4	Outlet hot water sensor short-circuited and temperature excessively increased.	LED Hot Water Temp. Med & High blinked separately
5	Seat sensor disconnected or not inserted	LED seat temperature Low blinked
6	Seat sensor short-circuited and temperature excessively increased	LED seat temperature High blinked
7	Air Pump motor disconnected or not inserted	WASH, BIDET, POWER WASH are our of operation
8	Air pump motor short-circuited	
9	Deodorizing motor: Check the cycle of rotation at low speed	Buzzer sounds. Abnormal condition is differently indicated by symptoms
10	Stoppage of motor due to the over-current of deodorization motor	
11	Heat stops in case of low speed rotation of drying motor	
12	Heater and drying motor simultaneously stop in case of the over-current of drying motor.	

# 11. Product Specifications

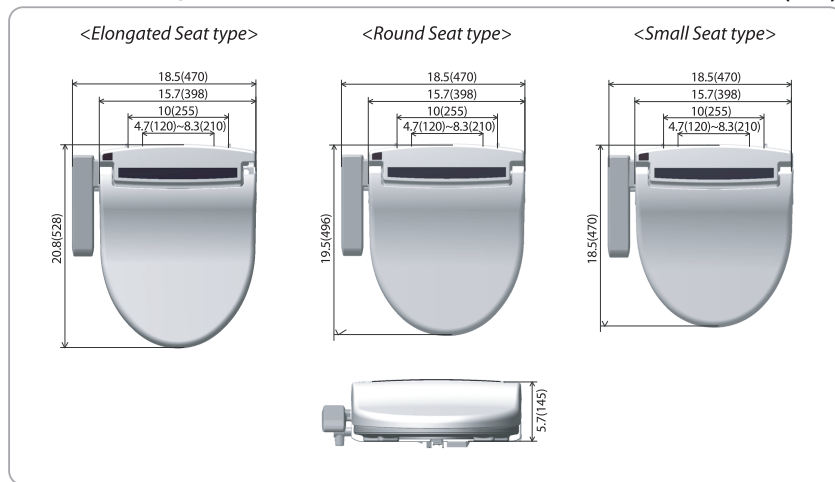
Item		Classic II			
Rated Voltage		AC 120V, 60Hz			
Max. Consumption Power		1270W			
Power Cord Length		4ft.			
Water Feed Method		Directly Connected to Water Pipe			
Water Pressure		9.9 ~ 106.6psi			
Wash	Feeding Volume	Wash	0.16 gal / min		
		Bidet	0.16 gal / min		
		Power Wash	0.13 gal / min		
	Water Pressure Control		5-Step Control		
	Temp. Control		Room temp. ~ 100 °F		
	Heat Capa.		1200W		
	Safety Device		Temp. Fuse, Thermo Switch		
Heated Seat	Temp. Control		Room temp. ~ 107 °F		
	Heater Capa.		55W		
	Safety Device		Temp. Fuse		
Dry	Temp. Control		Room temp. ~ 122 °F	-	
	Heater Capa.		250W	-	
	Safety Device		Temp. Fuse, Bi-metal	-	
Deodorization		Catalytic Deodorization	-		
Product Dimension	Elongated	18.5" × 20.8" × 5.7"			
	Round front	18.5" × 19.5" × 5.7"			
	Small	18.5" × 18.5" × 5.7"			
Product Weight	Elongated	10.6lb [17.3lb]	10.4lb [16.9lb]	9.9lb [16.5lb]	
	Round front	10.5lb [17.2lb]	10.3lb [16.8lb]	9.8lb [16.4lb]	
	Small	10.4lb [17.1lb]	10.2lb [16.7lb]	9.7lb [16.3lb]	

# 12. Comparison Chart

	Function	Classic II
Wash/Dry Function	Wash	●
	Bidet	●
	Power Wash	●
	Dry	●
	Deodorization	●
	Bubble Wash	●
	Built in pump motor	●
Convenient /Comfort Function	Automatic Energy Saving	●
	Learning Energy Saving	●
	Massage	●
	Pulse	●
	Instant heating	●
	Warm Seat	●
	Soft Closing Lid & Seat	●
	Detachable Main Body	●
Child	●	

### Dimension diagrams

inch(mm)



# 13. WARRANTY INFORMATION

## - WARRANTY -

1. We hereby guarantee the product as follow in accordance with the regulation of consumer damage compensation.
2. In case of failure of the product, please inform the distributor where you purchased the product.
3. Product warranty will be effective for 5 years since the product has been discontinued.

Product Name			Warranty Period
Model Name			One (1) year since the date purchased
Date Purchased			
SER. No.			
Customer's Address	Name		
	Tel.No		
Distributor's Address	Name		
	Tel.No		

### Regarding Product Warranty Regulation...

1. We will repair the product at free of charge in case it was failed under the normal operating condition in accordance with the user guide during the warranty period.
2. Although it is within the warranty period, we will charge the repair service fee etc. (repair + product + travel expense) if it falls under the following cases.

### Voiding warranty

1. Defects occurred from the user's careless handling
2. Defects occurred from the usage with incorrect power voltage (E.g., 220V was used to the 110V product.)
3. Defects occurred from the improper repair done by the person other than our service engineer.
4. Defects occurred from Force Majeure (fire, salt, flood, etc.)
5. Failure or damage due to the drop, etc. (user's mis-handling) during the operation after installed
6. Defect occurred from the interior modification at user's discretion
7. In case the life cycle of the part expired

Mail, email or fax the warranty form to:

**YOUR LOCAL DEALER FIRST where you bought this appliance**

If your dealer is unable to assist you



Spaloo LLC  
2421 West Pratt #411  
Chicago, IL 60645

1-888-772-5662  
www.spaloo.com  
info@spaloo.com