

HANDY LIFT OWNER'S MANUAL

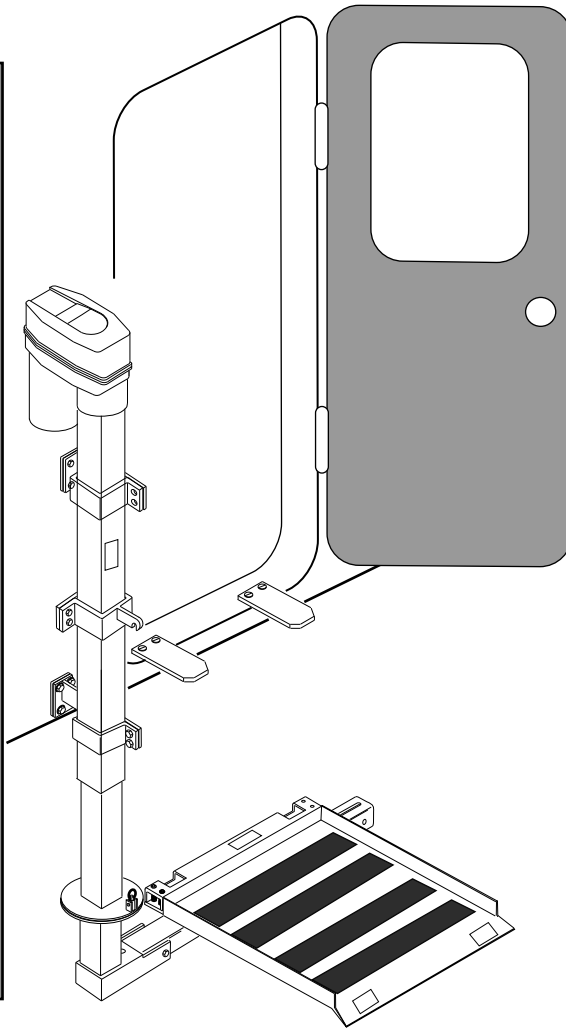
Installation and Operating Instructions- Service and Parts Information

! WARNING

Avoid serious injury, or death, to yourself and others. Follow these instructions:

- Read and understand OPERATOR'S INSTRUCTIONS before using HANDY-LIFT.
- RV must be safely parked, on a flat level surface, when using HANDY LIFT
- Keep body, hands, and feet away from shearing / squeezing points.
One rider at a time on platform.
- HANDYLIFT is intended to assist a "standing" person (holding on to the verticle post) into the door opening of a Recreational Vehicle. UNDER NO CIRCUMSTANCES should a person attempt to use this lift while "seated" on a scooter or any type of wheelchair!
- Do not overload platform.
Maximum capacity 300 lbs.

23053



IMPORTANT

HANDY LIFT MUST BE INSTALLED BY A REPUTABLE INSTALLER. HANDY LIFT MUST BE LEVEL SIDE TO SIDE. RV MUST BE IN GOOD REPAIR. WORN OR DAMAGED RV PARTS MUST BE REPAIRED OR REPLACED BEFORE INSTALLATION.

CONTENTS OF CARTON:

Part#	Qty.	Description	Part#	Qty.	Description
22580	1	HARDWARE PACKAGE	22588	1	INSTRUCTIONS
22516	1	PLATFORM SUPPORT	22764	1	ACTUATOR
22513	1	PLATFORM			

TOOLS NEEDED:

- Screw drivers (Phillips and Flat head)
- Wire Strippers and Crimper
- Electric Drill
- 3/8 Drill Bit
- 1/4, 3/8, 1/2, 5/8, and 3/4" Socket Wrench



730 E. MICHIGAN AVE. / P.O. BOX 460
BATTLE CREEK, MICH. 49016-0460
1-800-537-9940 (U.S.)

© Copyright Burr Engineering 1994

PAGE: 1 of 8	DATE: 17 AUG 04	FORM #: 22588
REV LETTER: C	ECN#: 12355	APPROVED:

HANDY LIFT OWNER'S MANUAL

installation and Operating Instructions- Service and Parts Information

Warning

READ AND UNDERSTAND INSTALLATION INSTRUCTIONS
VEHICLE MUST BE IN SAFE PARKED CONDITION

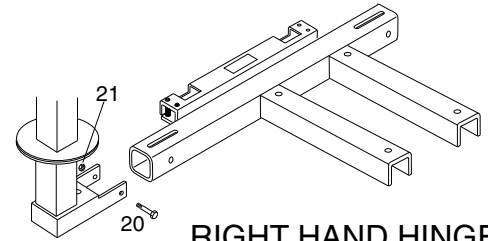
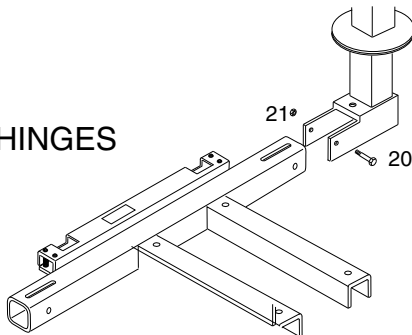
IGNITION SWITCH MUST BE IN "LOCK" POSITION
REMOVE JEWELRY (WATCHES, RINGS, ETC.)

INSTALLATION INSTRUCTIONS

IMPORTANT: The Handy Lift must be installed opposite the door hinge. Assemble the platform support for left or right installation. Be sure that steps and other accessories will not interfere with the operation of the Handy Lift.

PLATFORM SUPPORT INSTALLATION:

LEFT HAND HINGES

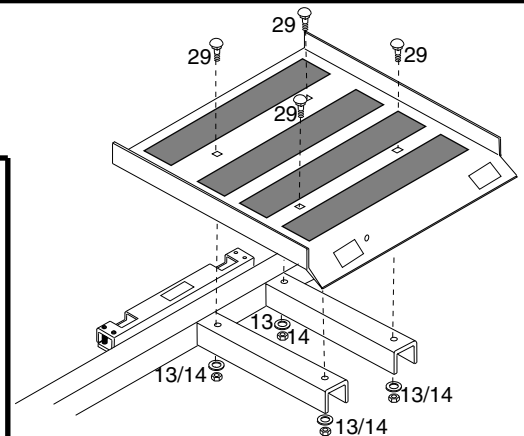


RIGHT HAND HINGES

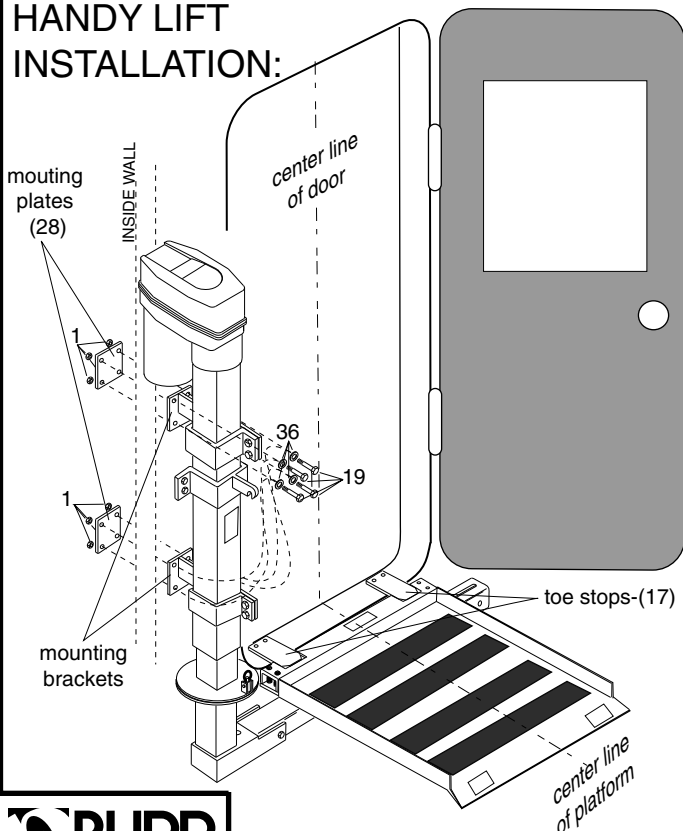
Fasten platform support foot assembly with bolt (20) and nut (21).

PLATFORM INSTALLATION:

Fasten platform to platform support with carriage bolts(29), lockwashers(13), and nut(14).



HANDY LIFT INSTALLATION:



Put Handy Lift in place with platform even with floor. Align center line of platform with center line of door.

Using mounting brackets as templets, drill 3/8" mounting holes through wall.

CAUTION: DO NOT DRILL INTO WIRES OR OTHER UTILITIES THAT MAY BE INSIDE THE WALL

Position mounting plates on inside wall.

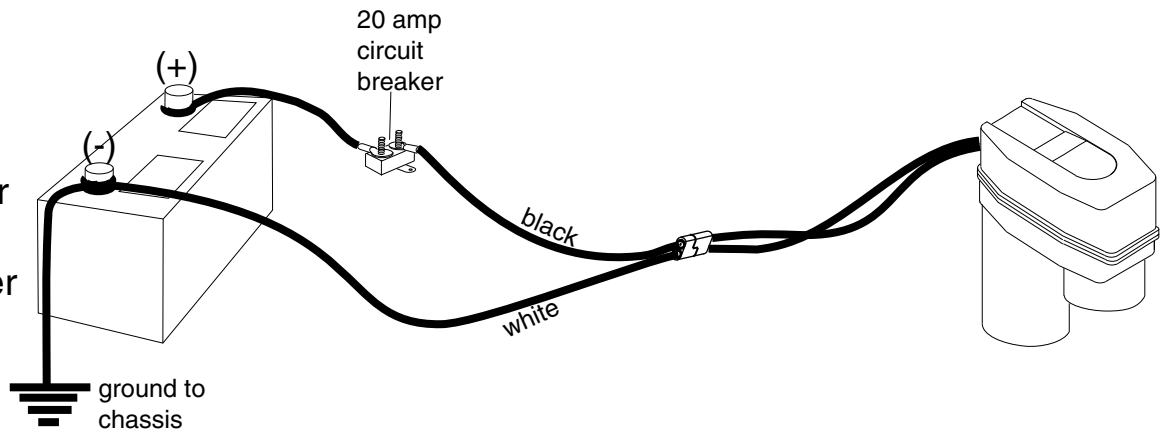
Fasten Handy Lift and mounting plates to wall with grade 5 bolts(19), locknuts(36), and nuts(1).

Fasten toe stops(17) in proper position to push toe guard down when platform is all the way up. Platform must stop raising when toe guard is down. If necessary loosen post holder fasteners, move post assembly up or down as needed, and tighten post holder fasteners.

HANDY LIFT OWNER'S MANUAL

WIRING:

- Use 10 gauge wire or larger.
- Use crimp or solder connections.
- Keep circuit breaker close to the power source.



OPERATING INSTRUCTIONS:

The added clearance and weight of the HANDY LIFT, will affect how your vehicle handles. It will be more sensitive to limited space areas.

Adjust your driving style to match the added weight. Drive slower until you become familiar with how the vehicle handles when turning and backing up. Plan for turns, stops, and lane changes well in advance. Remember added overall width when backing up, parking, etc.

Operators must become familiar with all controls and procedures. Understand what the HANDY LIFT can do and know its limits. Practice using it safely.

These safety labels are on the HANDY LIFT. Know where they are; read, understand, and obey them.

⚠ WARNING

Avoid serious injury, or death, to yourself and others. Follow these instructions:

- Read and understand OPERATOR'S INSTRUCTIONS before using HANDY-LIFT.
- RV must be safely parked, on a flat level surface, when using HANDY LIFT

- Keep body, hands, and feet away from shearing / squeezing points. One rider at a time on platform.

- HANDYLIFT is intended to assist a "standing" person (holding on to the verticle post) into the door opening of a Recreational Vehicle. UNDER NO CIRCUMSTANCES should a person attempt to use this lift while "seated" on a scooter any type of wheelchair!

- Do not overload platform. Maximum capacity 300 lbs.

23053

⚠ WARNING

MAXIMUM WEIGHT: 300 LBS

If maximum weight is exceeded, the design modified, or the unit is installed in a way contrary to manufacturer's instructions the warranty is void and catastrophic failure may occur. This could result in serious injury or death.

29234



⚠ WARNING

Don't risk serious injury or death in a shearing or squeezing accident. Keep body, hands, and feet away.

19989



INSPECTION:

Before using the HANDY LIFT, the user must inspect it completely to ensure safe operation.

Actuator, platform, and frame:

Look at their condition. Check for cracked or broken parts and loose or missing fasteners.

Switch or Remote Control:

Platform must raise or lower only when activated.

Safety labels:

If safety labels are missing or unreadable, replace them immediately.

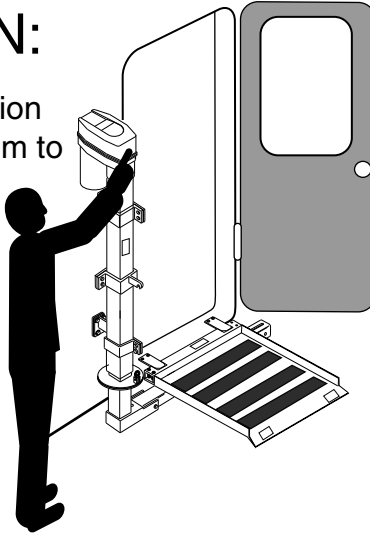
**If the unit is unsafe or in need of repair,
do not use it until it is returned to a safe operating condition.**



HANDY LIFT OWNER'S MANUAL

OPERATING POSITION:

VEHICLE must be in a safe parked position on a flat level surface. Allow enough room to safely load and unload rider.

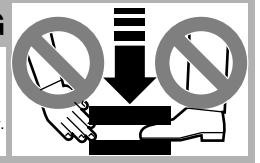


OPERATOR must keep others away from moving platform.

WARNING

Don't risk serious injury or death in a shearing or squeezing accident. Keep body, hands, and feet away.

19989



HANDY LIFT should always be inspected before operating.

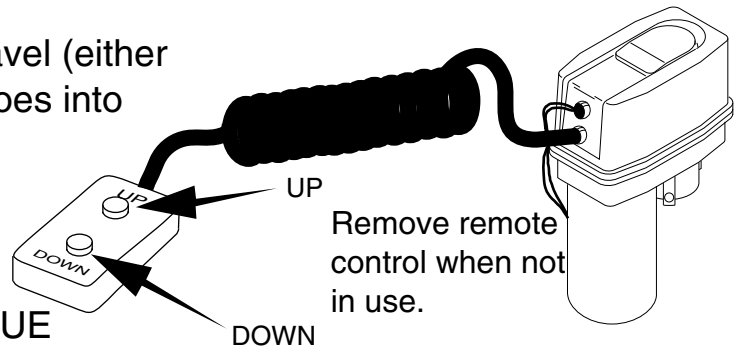
PLATFORM must be all the way down, rotated, and locked in place. Stay away from curbs, steps, etc. that may cause the platform to tip.

OPERATION (ELECTRIC)

When the actuator reaches the end of it's travel (either raising or lowering) a built in torque limiter goes into operation with a clicking noise.

This torque limiter allows the final drive gear to slip, protecting the unit from damage.

PROLONGED OPERATION OF THE TORQUE LIMITER IS NOT RECOMMENDED.



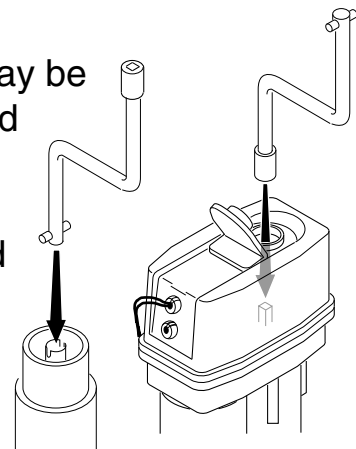
29298

DO NOT USE SWITCH WITH CRANK IN PLACE

OPERATION (MANUAL)

If an electrical failure should ever occur, the crank handle may be inserted into the actuator post and the actuator can be raised or lowered

If powerhead is removed crank can still be used to raise and lower actuator.



HANDY LIFT OWNER'S MANUAL

ENTERING: When not in use, platform must be folded, raised all the way up and latched.

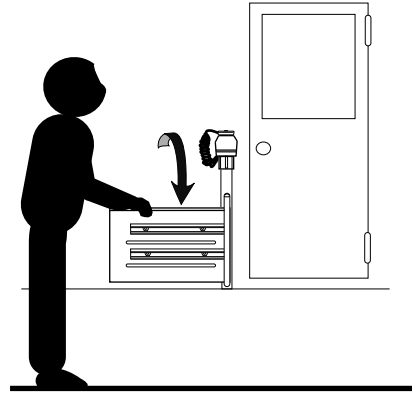
WARNING

Don't risk serious injury or death in a shearing or squeezing accident. Keep body, hands, and feet away.

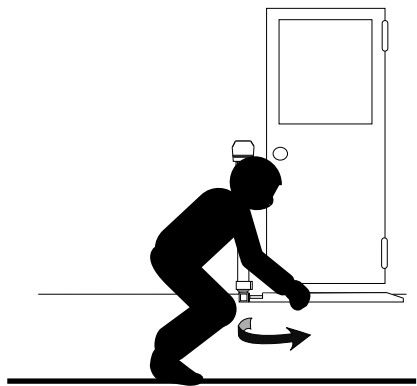
19989



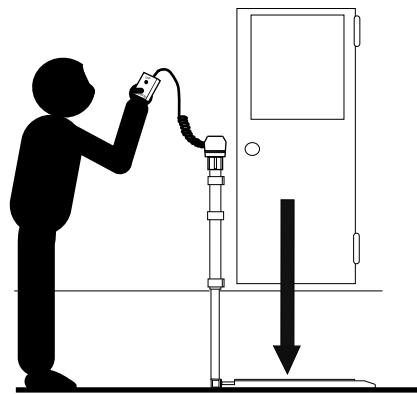
1. Lower platform to unlatch it.



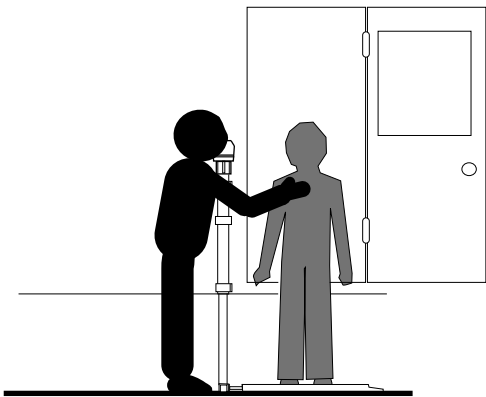
2. Unfold platform.



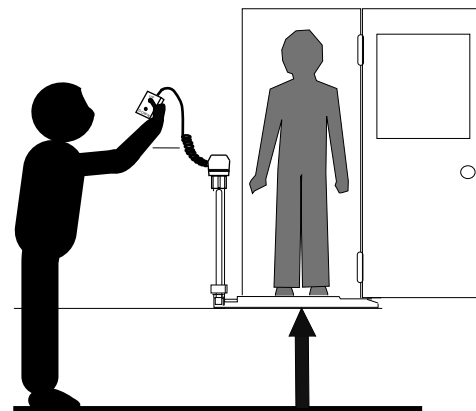
3. Pull latch pin and rotate platform to the door. Be sure latch pin is open outside door. place after rotating platform.



4. Lower platform to the ground.



5. Passenger must always stay in the center of the platform.



6. Raise platform, with passenger, all the way up.

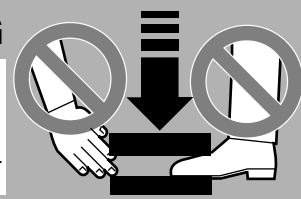
HANDY LIFT OWNER'S MANUAL

EXITING: When not in use, platform must be folded, raised all the way up and latched.

WARNING

Don't risk serious injury or death in a shearing or squeezing accident. Keep body, hands, and feet away.

19989



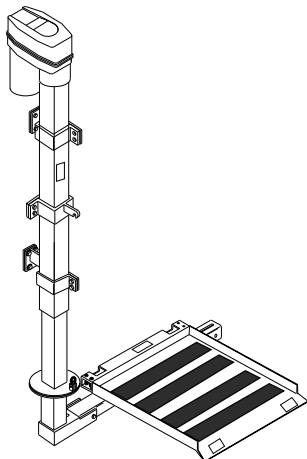
1. Lower platform, with passenger in center of platform, all the way to the ground.
2. Close outside door. Raise empty platform all the way up.
3. Remove latch pin and rotate platform toward the actuator. When completely rotated, replace latch pin.
4. Fold platform in upright position.
5. Raise platform till it latches securely.

MAINTENANCE:

Handy Lift

Pivot and ware points should be greased, when needed, with a lithium based grease.

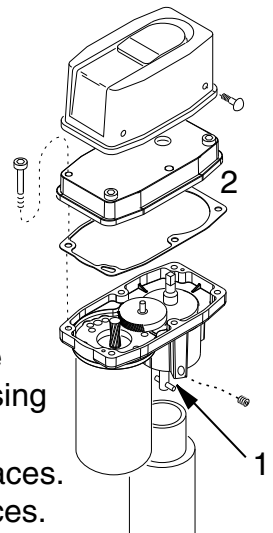
The platform can be cleaned with warm water and dish soap solution.



Powerhead:

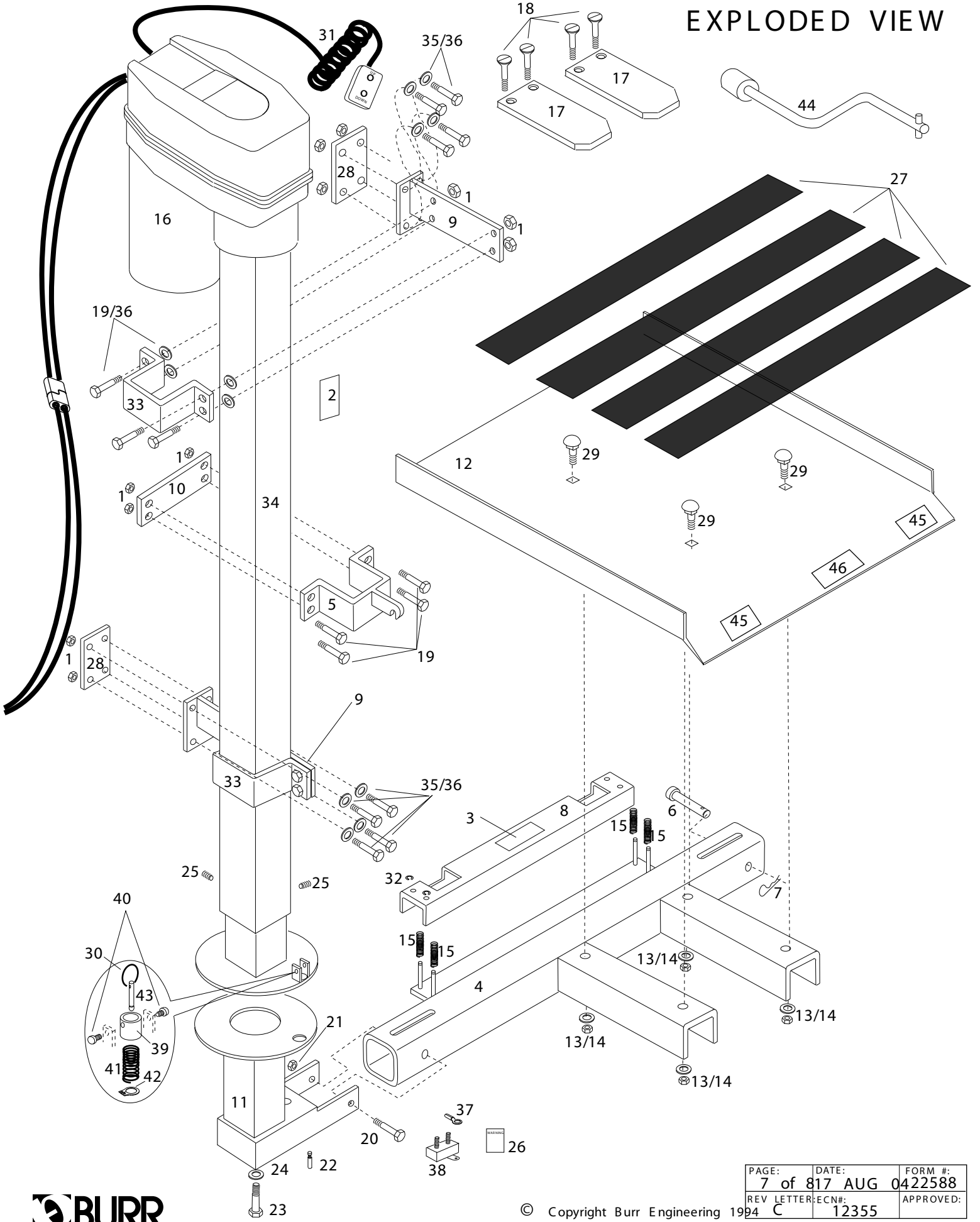
1. Once a year, remove the powerhead and grease with Lithium base grease applied directly to the coupling on which the drive pin rest. **DO NOT POUR OIL** into the top of actuator.

2. Once a year, remove the housing cover and inspect for proper lubrication. Remove 4 screws and tap around the edges of housing to free the cover. **DO NOT** insert a screw driver blade- this may damage mating surfaces. Before replacing cover, clean mating surfaces. If lubrication is needed, use a lithium based gear grease.



HANDY LIFT OWNERS MANUAL

EXPLODED VIEW



PAGE:	DATE:	FORM #:
7 of 817	AUG 04	22588
REV LETTER:	ECN#:	APPROVED:
C	12355	



HANDY LIFT OWNERS MANUAL

PARTS:

ITEM	PART#	QTY.	DESCRIPTION
1	610-1400	20	HEX NUT (5/16")
2	23053	1	LABEL WARNING- INSTRUCTION
3	19989	1	LABEL WARNING-SHEAR/ SQUEEZE
4	22516	1	PLATFORM SUPPORT
5	22542	1	HOLD BRACKET ASSEMBLY
6	643-0004	1	CLEVIS PIN
7	625-0004	1	COTTER PIN
8	22531	1	TOE GUARD
9	22536	2	MOUNTING BRACKET
10	26592	1	BRACKET PLATE
11	22550	1	FOOT ASSEMBLY
12	22513	1	PLATFORM (BLACK)
13	618-1007	8	LOCKWASHER (1/4")
14	610-0007	4	HEX NUT (1/4")
15	22529	4	SPRING
16	22766	1	POWERHEAD ASSEMBLY
17	22587	2	TOE STOP
18	602-0015	4	SCREW F.H.M.(1/4-20 X 3")
19	600-0034	12	BOLT (5/16-18 X 1")
20	600-0006	1	HEX BOLT (1/2-13" X 4 1/2")
21	611-0002	1	LOCKNUT (1/2")
22	608-0001	1	SET SCREW (5/16-18 X 5/16")
23	600-0031	1	HEX BOLT (3/8-16 X 1")
24	617-0032	1	WASHER (3/8")
25	608-0004	2	SET SCREW (5/16-18" X 5/16")
26	19507	2	HANDICAP STICKER
27	22769	4	FLOOR TREAD
28	22538	2	MOUNTING PLATE
29	600-0009	4	CARRIAGE BOLT
30	641-0031	1	SPLIT RING
31	22763	1	REMOTE CONTROL
32	634-0002	4	SNAP RING
33	22887	2	POST HOLDER
34	22559	1	POST ASSEMBLY
35	600-0032	8	BOLT (5/16-18 X 5")
36	80224	20	LOCKWASHER (5/16")
37	742-0057	2	RING TERMINAL
38	741-0031	1	CIRCUIT BREAKER
39	22581	1	SPRING WELD ASSEMBLY
40	603-5001	2	SCREW (#10-32 X 3/8")
41	22586	1	SPRING
42	634-0012	1	RETAINING RING
43	22585	1	SPRING PIN
44	23613	1	CRANK ASSEMBLY
45	22173	2	TRIP LABEL
46	29234	1	LABEL, RESTRICTION WARNING

