

Item# F-004PLBNA-AT1
THE ORIGINAL ADA LIFT

The Pro Pool Lift is ideal for facilities with limited deck space as the unique design minimizes the amount of required space needed for installation. Now standard with an adjustable seat pole, this new feature now allows you to adjust the seat from 18" up to 23" making lateral transfers from higher wheel chairs easier. Several versions are available, including our deep draft, reverse, and extended base configurations. The Pro Pool is constructed from stainless steel with a protective powder coat finish and features a 450* pound weight capacity.



Available in a variety of accent colors
(blue plastics standard)



FEATURES:

- 450 lb* (204 kg) weight capacity
- Independently verified to ADA standards
- Unique low profile and small footprint
- Adjustable footrest & lap belt
- Flip-up armrests
- Water resistant handset
- Rechargeable battery with wall mount charger
- 5 year structural warranty
- 5 year pro-rated electronics warranty

**450 lb weight capacity for water drafts up to 9" - 400 lb capacity for other applications*

OPTIONS/ACCESSORIES:

ITEM #	DESCRIPTION
F-04CAJP	Anchor kit, standard with 4" inserts
F-08CAJP	Anchor kit, standard with 8" inserts for use with pavers
F-046QAB-AT1	Anchor kit, quick attach with 4" inserts
F-40220-AT1	Anchor kit, wood deck applications
F-120PPC	Cover, standard lockable, blue
F-120PPC-T	Cover, standard lockable, tan
F-422PLH-2	Headrest
F-044SCH	Solar charging station
F-428HT	Transport cart

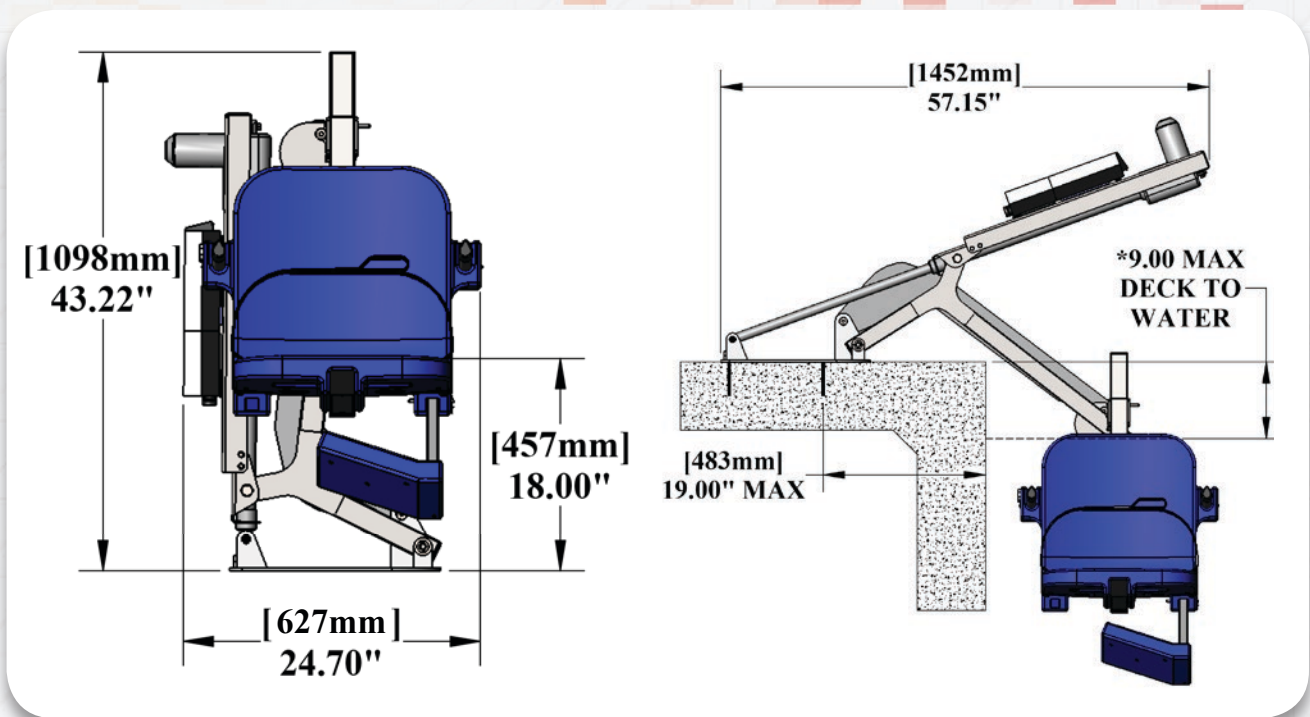
*See more access options on our website @ aquacreekproducts.com

PROUDLY SOLD BY:

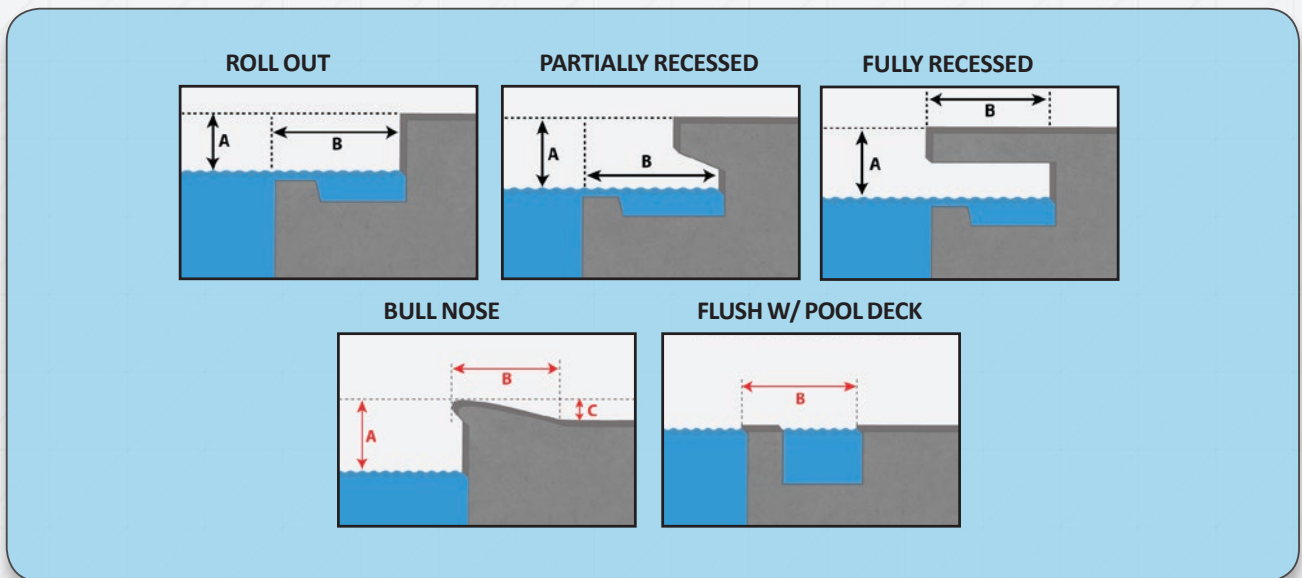
ADA COMPLIANT

The Pro Pool Lift

PRODUCT SPECIFICATIONS



APPLICABLE POOL PROFILES



To confirm specific application go to www.aquacreek.com for our **Pool Lift Selector**



Become a member of our new **Dealer and Architect** page. Access to CAD blocks, CSI specs and sales materials.