



## Genesis 400 Series

**HYDRAULIC OR BATTERY  
OPERATED  
MODEL:400H/400E/400K**



***The Future of HomeCare Lifting is Here!***



## **Thank you for choosing the Genesis 400 ApexLift®!**

To better serve you, please record the following information:

Dealer Name: \_\_\_\_\_

Telephone: \_\_\_\_\_

Serial #: \_\_\_\_\_

Date of Purchase: \_\_\_\_\_

### **INSPECT YOUR MERCHANDISE**

Upon receipt of your ApexLift®, verify that all merchandise is complete and free from any shipping damage. Refuse delivery if the packaging appears to be badly damaged. If the merchandise is received damaged or is missing components, contact the shipping company immediately and file a claim.

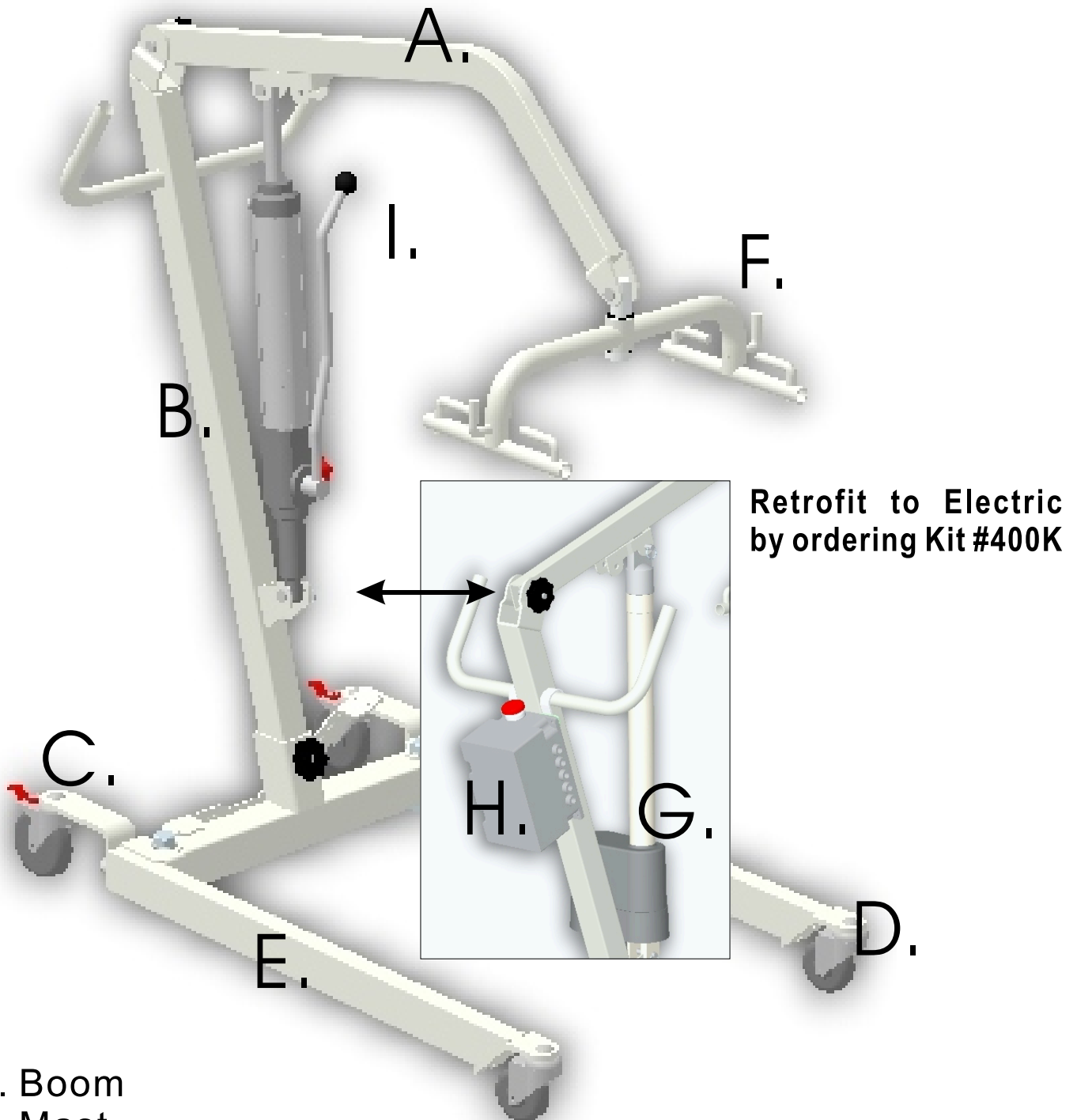
For further assistance, contact your local dealer or Apex Dynamics Healthcare Products, L.L.C.

### **Apex Dynamics Healthcare Products, L.L.C.**

310 West Hightower Drive, Suite 105  
Dawsonville, GA 30534-6172 USA

706-265-4024 or 1-800-742-0453

# Genesis 400 Series APEXLIFT®



Retrofit to Electric  
by ordering Kit #400K

- A. Boom
- B. Mast
- C. Caster Brake
- D. Front Caster
- E. Base
- F. Spreader Bar
- G. Actuator
- H. Control Box

I. Hydraulic Pump (400H)  
Interchangeable with Electric  
**Retrofit Kit #400K**

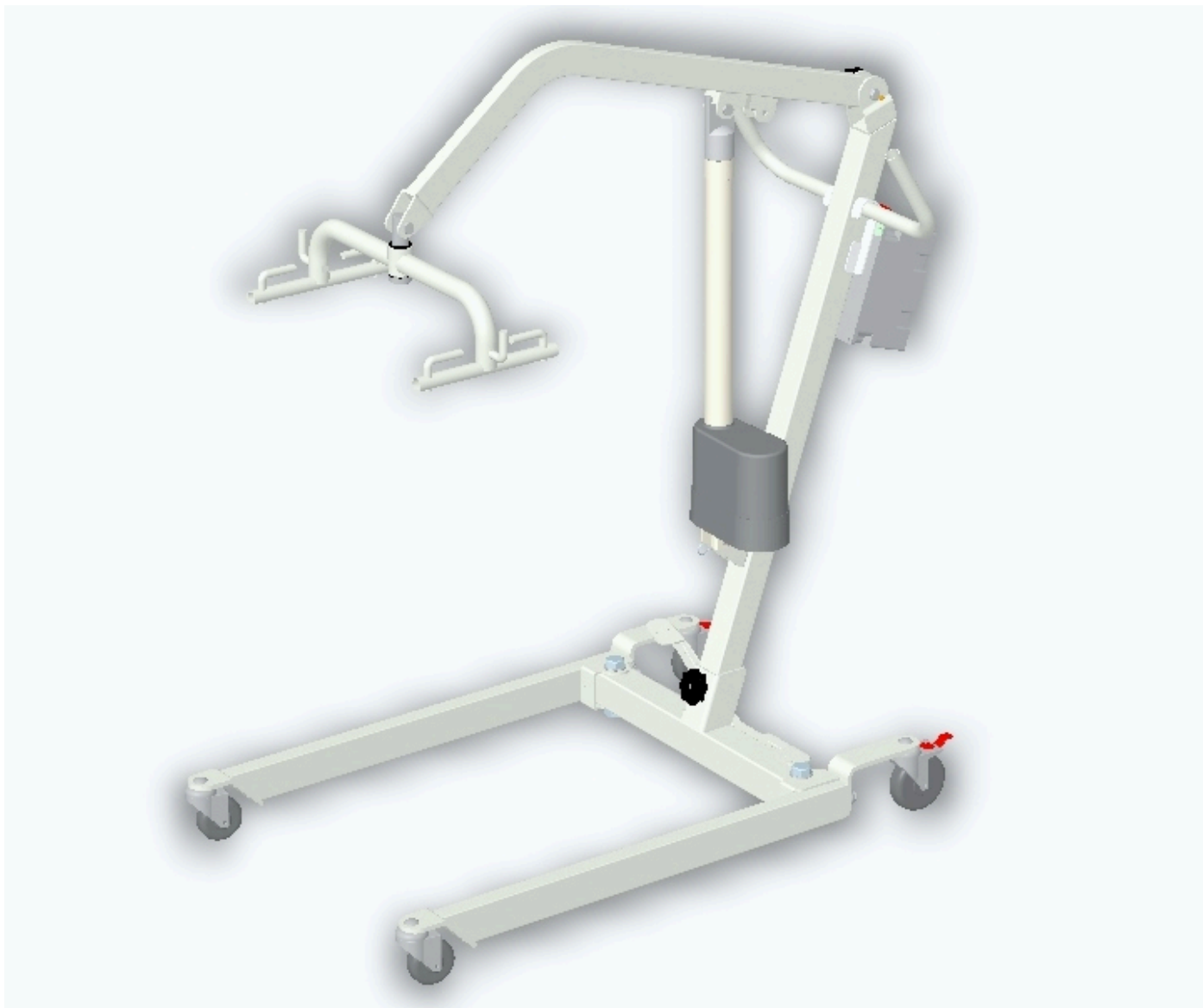
## Genesis 400H Overview

1. Carefully unpack box saving box and packaging.
2. Follow owners manual for assembly and use of 400H.
3. Lock wheels on Base so the Base remains stationary.
4. Slide Mast into square sleeve at the back of the Base.
5. Secure the Mast with the Bolt, Washer, and Black Hand Nut provided. Tighten Mast Securely.
6. Secure Boom to Mast also using the Bolt, Washer, and Black Hand Nut provided. Tighten Boom securely.
7. Attach Spreader Bar to Boom with Keeper Pin and key ring provided. Secure Spreader Bar.
8. Attach Hydraulic Actuator to the Mast with Keeper Pin and key ring then attach Hydraulic Actuator to the Boom in the same fashion. See picture below.



## Genesis 400E Overview

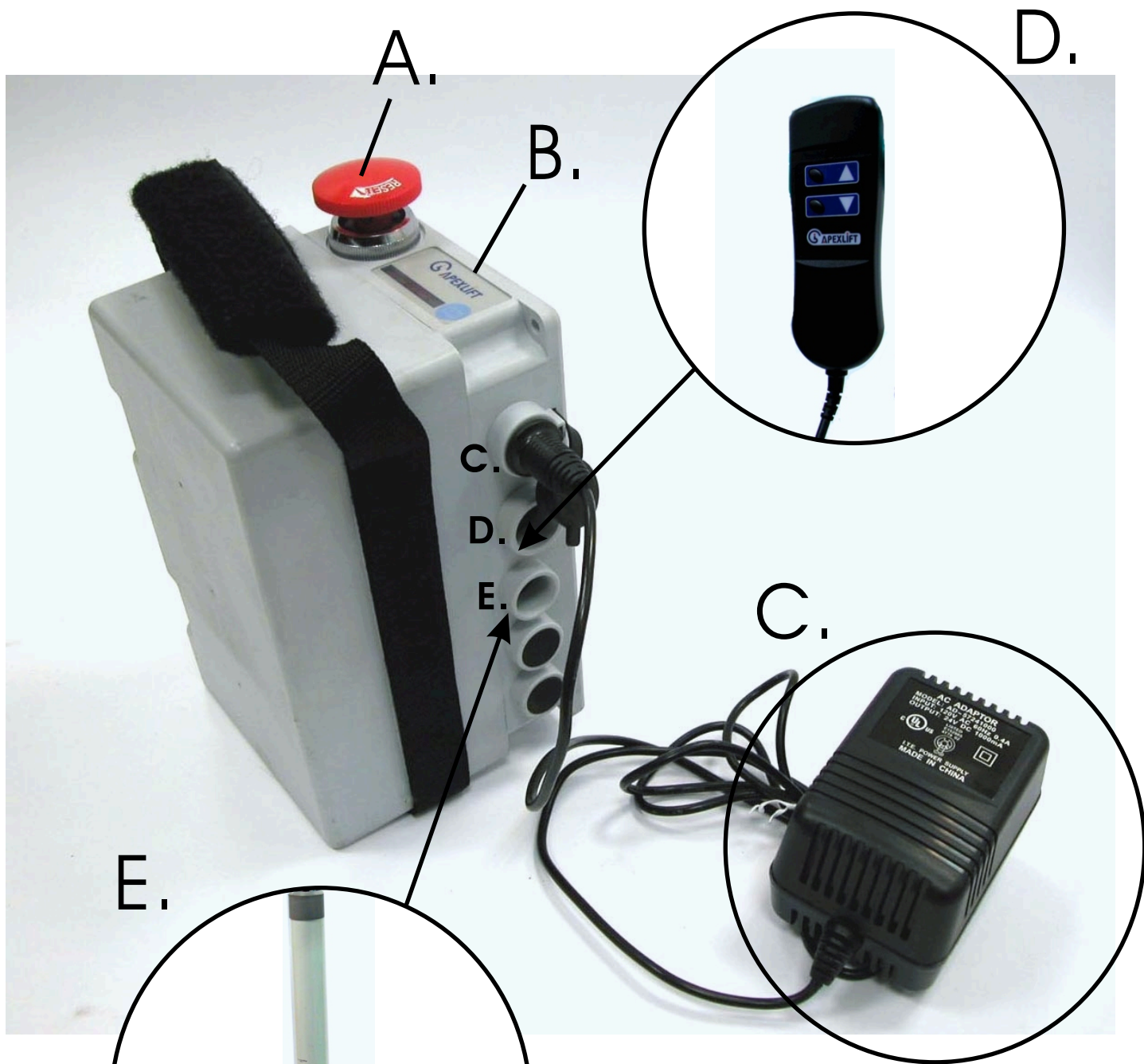
1. Carefully unpack box saving box and packaging.
2. Follow owners manual for assembly and use of 400E.
3. Lock wheels on Base so the Base remains stationary.
4. Slide Mast into square sleeve at the back of the Base.
5. Secure the Mast with the Bolt, Washer, and Black Hand Nut provided. Tighten Mast Securely.
6. Secure Boom to Mast also using the Bolt, Washer, and Black Hand Nut provided. Tighten Boom securely.
7. Attach Spreader Bar to Boom with Keeper Pin and key ring provided. Secure Spreader Bar.
8. Attach Electric Actuator to the Mast with Keeper Pin and key ring then attach Electric Actuator to the Boom in the same fashion. See picture below.
9. Hang Control Box on Lift Handle Bars, plug in plugs for 1.) Charger, 2.) Hand Control, 3.) Electric Actuator.



# DIAGRAM OF CONTROL BOX

Used with Genesis 400E only

(battery upgrade kits can be ordered for the Genesis 400H)



- A. Emergency Stop Button.**
- B. Battery Testing Button.**
- C. Charger Plug-in.**
- D. Handset Plug-in.**
- E. Actuator Plug-in.**

## **SAFETY INSTRUCTIONS**

The Genesis 400 Series ApexLift® reflects innovative state of the art design allowing use either hydraulically or battery operated. The Genesis 400H can be upgraded through a battery retrofit kit (#400K). The 400 Series, hydraulic or battery operated patient lift will provide years of excellent service.

Please pay careful attention to the following important information regarding the care, maintenance, and operation of the Genesis 400 Series ApexLift® Manual/Battery Patient Lift. Carefully read these instructions before assembling the lifter, or attempting to lift any user with the device.

**PLEASE NOTE THE FOLLOWING:**

- Special care must be taken with patients who are comatose, spastic, agitated, or otherwise severely handicapped.) A competent caregiver must always be present during any patient lifting.
- The Genesis 400 Series ApexLift® should be used solely for transferring a user/patient from one utility (beds, bathtubs, toilets, etc.) to another. The patient lift should not be used for transporting or moving any patient from one location to another location.
- During lifting or lowering, whenever possible, always keep the base of the lift in the widest position. (Use foot pedals) While lifting wheels should NOT be locked.
- The base of the lift should be closed before moving the lift.
- Do not roll casters over any object while the user/patient is being transported.
- While being lifted in a sling, always keep the user/patient centered over the base and facing the caregiver operating the lifter.
- Maximum weight that can be safely lifted is 400 pounds.
- The Genesis 400 Series ApexLift® allows a person to be lifted and transferred safely with minimum physical effort provided by the caregiver. Before attempting to lift anyone, please practice using sling and lifter several times.

## **WARNING!**

Do not attempt to transfer a patient without prior approval of the patient's nurse. Also, do not transfer without having studied the instructions and practiced operating the product several times. Together with the patient's doctor, nurse, or medical attendant, select an ApexLift® sling that is both practical and comfortable. The sling selected should be one that serves the needs of the patient, while providing the patient with optimal safety. Have a doctor, nurse, medical attendant, or caregiver (experienced in the use of the Genesis 400 Series ApexLift®) present during the first few times the lift is used to lift or transfer a patient.

ApexLift® slings are specially designed for ApexLift® equipment. Do not use slings manufactured by other companies with any ApexLift equipment. **USING NON-APEXLIFT® SLINGS ON APEXLIFT® EQUIPMENT IS UNSAFE AND MAY RESULT IN SERIOUS INJURY TO USERS AND CAREGIVERS.** Apex Dynamics Healthcare Products, L.L.C. is not responsible for any consequence resulting from the use of non-ApexLift® slings on ApexLift® equipment.

ApexLift® slings are specially designed for ApexLift® equipment. Do not use ApexLift® slings with non-ApexLift® equipment. **USING APEXLIFT® SLINGS ON NON-APEXLIFT® EQUIPMENT IS UNSAFE AND MAY RESULT IN SERIOUS INJURY TO USERS AND CAREGIVERS.** Apex Dynamics Healthcare Products, L.L.C. is not responsible for any consequence resulting from the use of ApexLift® slings on non-ApexLift® equipment.



# **WARNING!**

Do not put anything (e.g. cushion, pad, etc.) between the user and the sling. This may cause the user/patient to slide out of the sling and cause injury.

Avoid personal injury by making sure no children or pets are near the Genesis Series ApexLift® while it is in motion.

Avoid personal injury by making sure all extremities (such as fingers, arms, legs, or feet) are clear of the lift mechanism while it is in operation. Patient should be secure inside sling. Caregiver must give special attention to patient during lift process.

Avoid personal injury and possible damage to the Genesis 400 Series Lift by making sure the maximum weight limit of 400 lbs. is not exceeded.

Replace any worn parts with only genuine ApexLift® parts. ApexLift® parts are not interchangeable with parts from other patient lift brands. Using other patient lift parts on ApexLift® products is unsafe and may result in serious injury to user and caregiver. Apex Dynamics Healthcare Products, L.L.C. is not responsible for any consequence resulting from the use of non-ApexLift® parts and components.

Avoid personal injury by making sure the battery is not being charged while any electrical inspection or mechanical work is being accomplished. Contact your Dealer if any Battery or Lifting problem is detected. You may also contact Apex Dynamics at 1-800-742-0453.

## **WARNING!**

Service and repair of ApexLift® equipment should be performed only by Apex Dynamics Healthcare Products, L.L.C. or by an authorized dealer. Apex Dynamics Healthcare Products, L.L.C. is not responsible for any consequence resulting from any unauthorized service or repair.

## **CAUTION**

Avoid damage to the Genesis 400 Series by keeping foreign objects from coming into contact with the lift mechanism. Make certain that your working area is clear of any obstructions.

## **NOTE**

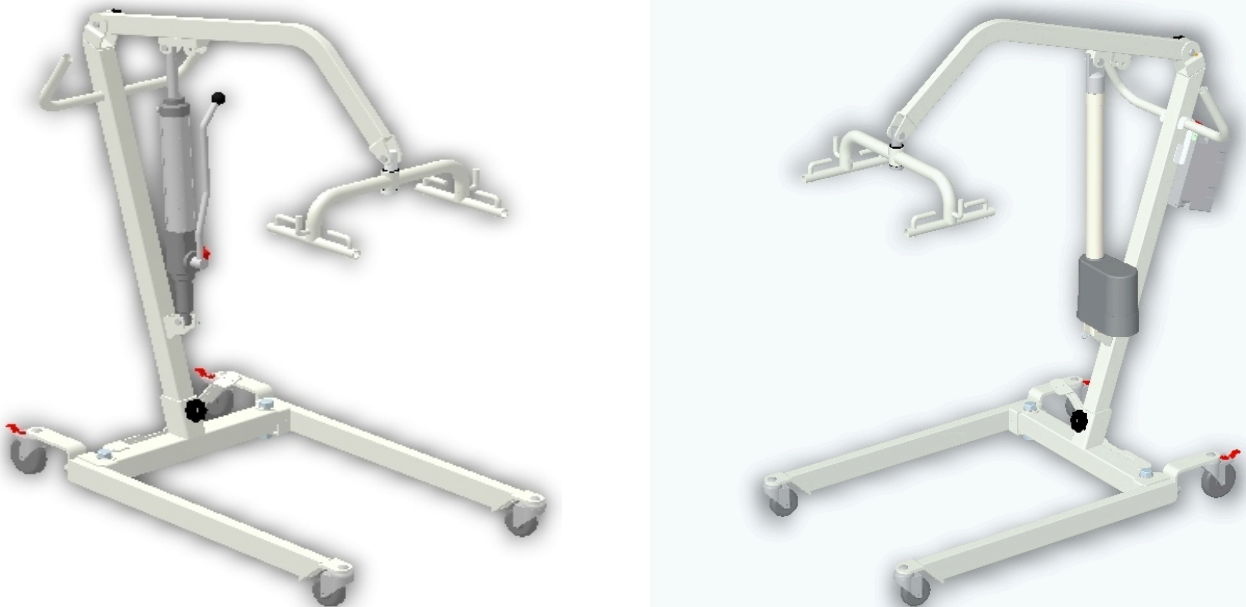
Arrange all necessary items (lift, slings, commode chair or wheel-chair) for a smooth, safe transfer. The user/patient being transferred should be positioned in the center of the area being transferred from (ie. bed, wheel chair, chair, commode, etc.) before being lifted, as well as when he/she is returned. Keep lifter base widened (use foot pedals to accomplish this) and brakes Unlocked during lifting. If the brakes are locked during the lift process, the lift may become unstable.

# INSTALLATION INSTRUCTIONS

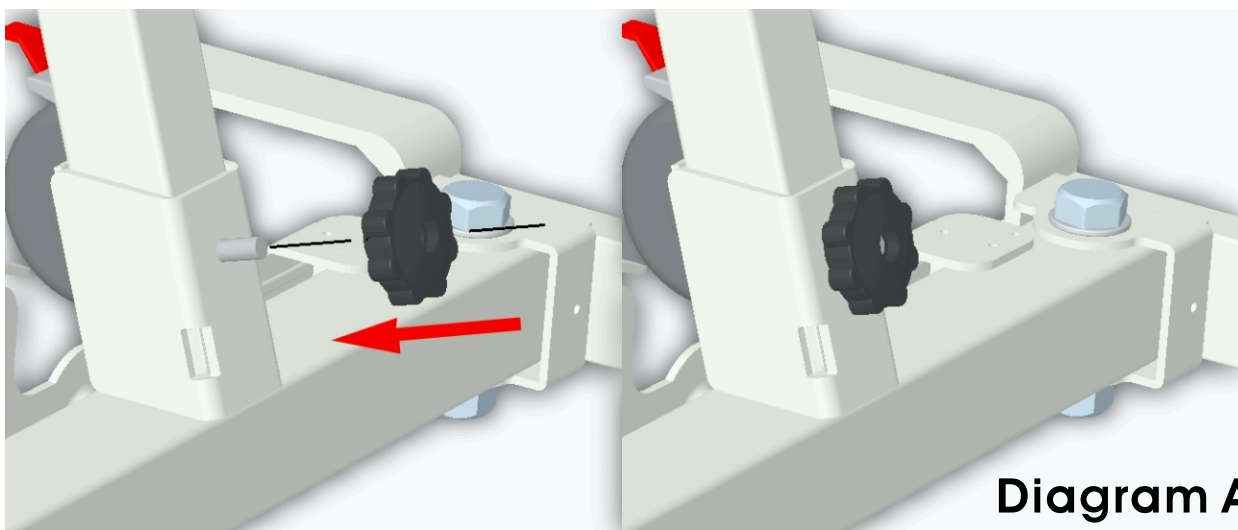
## WARNING!

The lift is approx. 75 lbs. Therefore, avoid injury and **DO NOT** attempt to remove the lift from the box without assistance.

Assemble the patient lift in accordance with the following instructions:



Step 1. Engage the brakes so the Base does not move. Place the Mast into the square sleeve at the back of the Base. From the Mast (front) slide the Stove Bolt into the pre-drilled slot. Next slide the Washer onto the Stove Bolt on the back side of the Mast. Finally, use the Black (no tool) Hand Nut to secure the Mast in place. Make sure the Hand Nut is holding the Mast securely in place. Secure the Boom to the Mast using the supplied bolt, washers and Black Hand Nut. (Washer on same side of Black Hand Nut) See Hand nut in diagram A.

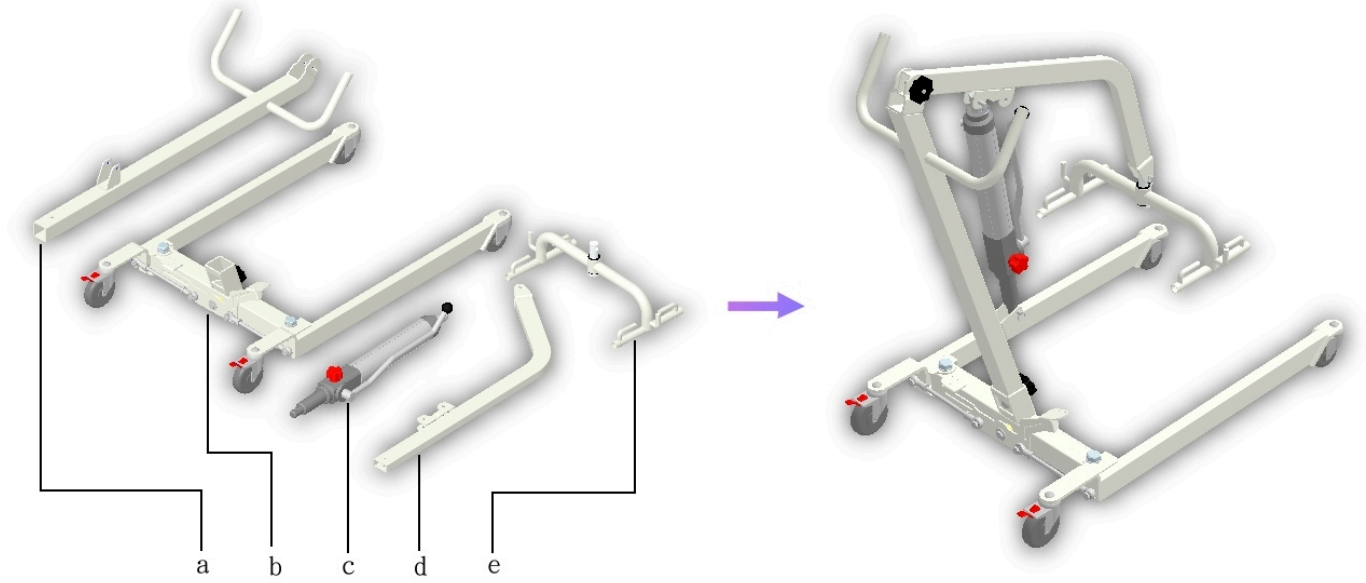


**Diagram A**

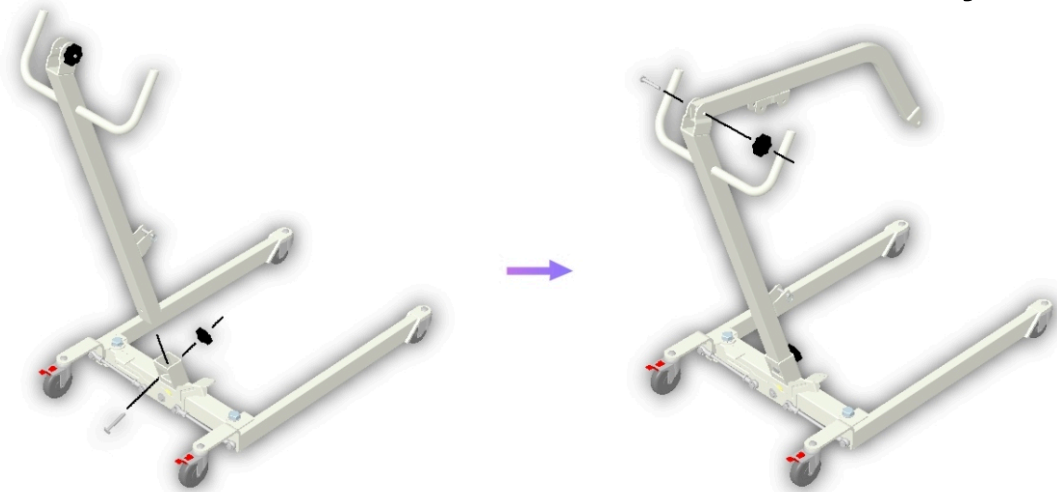
**\*Hand Nuts secure the Mast to Base and the Boom To the Mast**

# Pictorial Installation Instructions

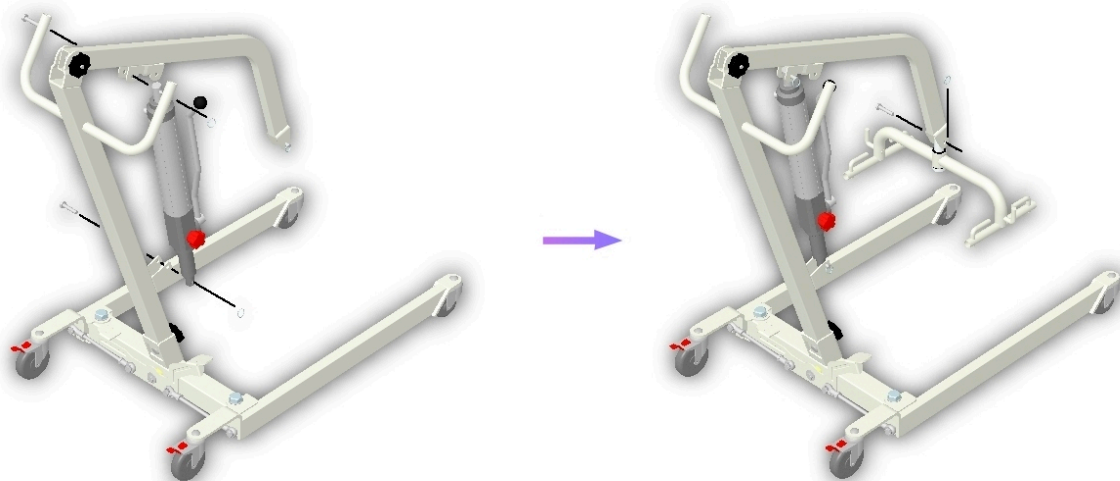
## STEP 1: Equipment Overview



## STEP 2: Base, Mast, and Boom Assembly

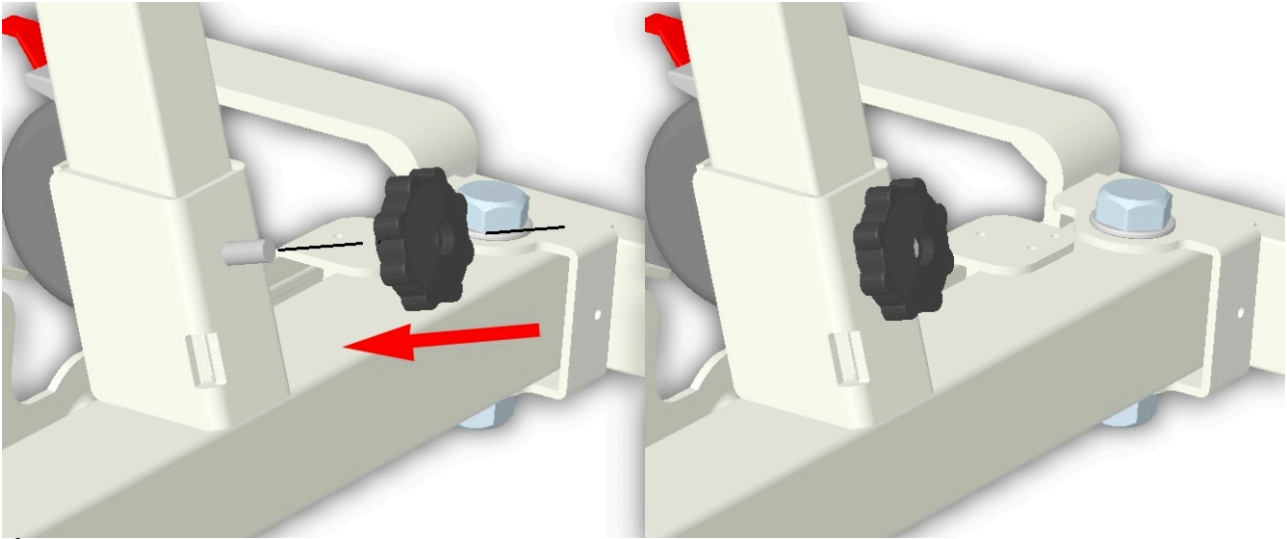


## STEP 3: Pump/Actuator, and Spreader Bar

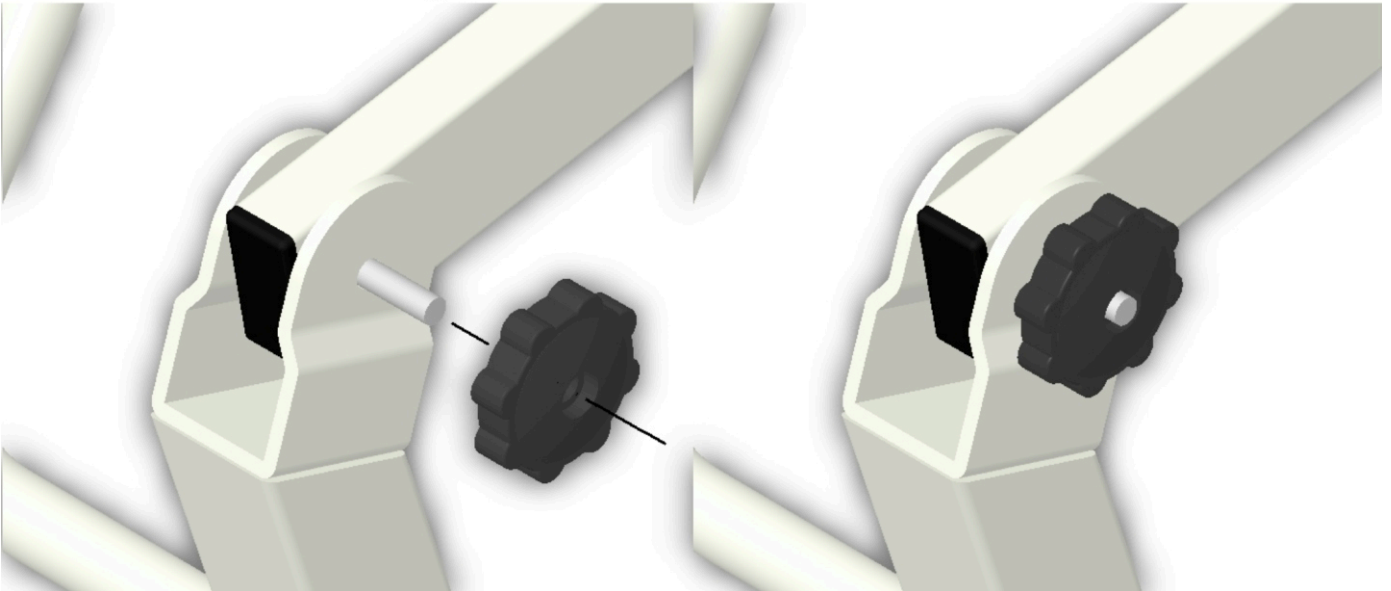


## Installation Close Ups

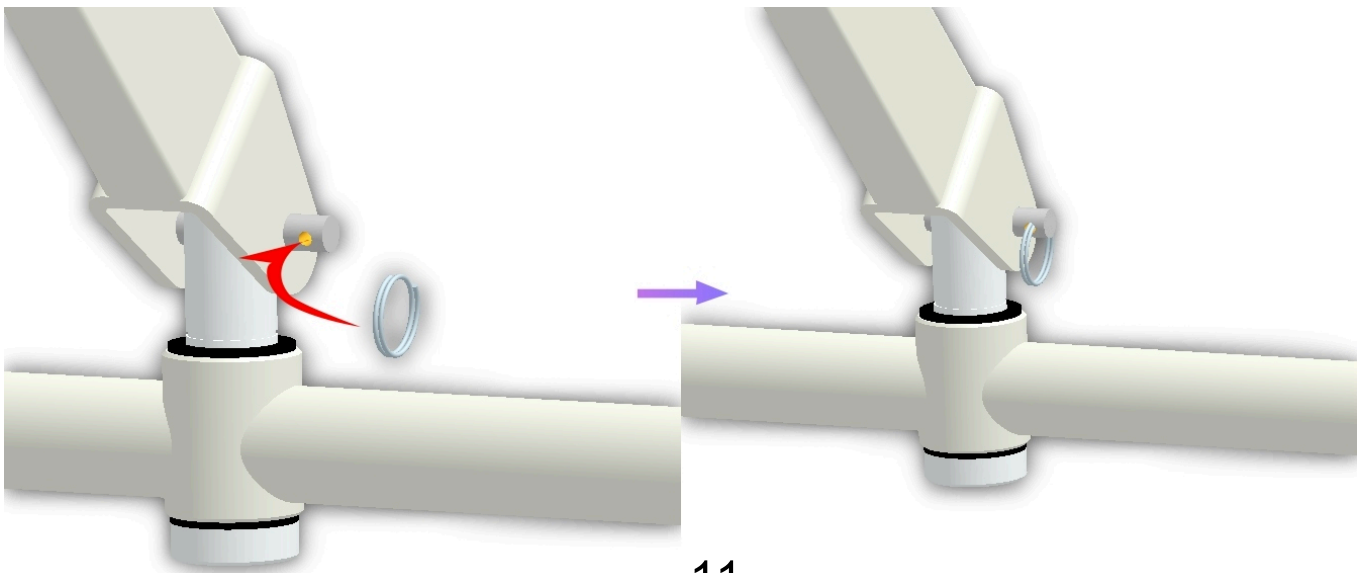
### Securing Mast to Base



**Boom to Mast and Tighten SECURELY**  
To swivel tight



### Secure Spreader Bar to Boom



**Step 2.** Attach the Gray Control Box Hanging Bracket to the Caregiver handles on the Mast. (Notice this step is only for the Genesis 400E)

**For your information:** The Genesis 400 Series **ApexLift**<sup>®</sup> comes in either the 400H Hydraulic (Manual Operation) or the 400E (Battery Operation). If you have purchased the Genesis 400H, you can upgrade to a Battery Operated lift by simply contacting your dealer or APEX DYNAMICS HEALTHCARE PRODUCTS, L.L.C. to order the 400K Retro Fit Electric Kit. Our toll free number is 800-742-0453.

**Genesis 400H/400E Users:** The Genesis 400 Series Lift comes completely assembled except the assembly of the Hydraulic Pump / Electric Actuator, and connections at the Base & Mast, and the Mast & Boom. The Spreader Bar must be attached also. As already instructed the Base & Mast, and Mast & Boom, are assembled by the bolt, washer, and Black Hand Nut supplied. The information about the 400E does not apply to the Genesis 400H end user or caregiver. If you have any question at this point call your dealer or APEX DYNAMICS.

### **Step 3. Installation: Hydraulic Pump/ Electric Actuator**

**A.** Attach the bottom of Pump/Actuator to the bottom bracket on the Mast and insert keeper pin.

#### **Diagram 3**

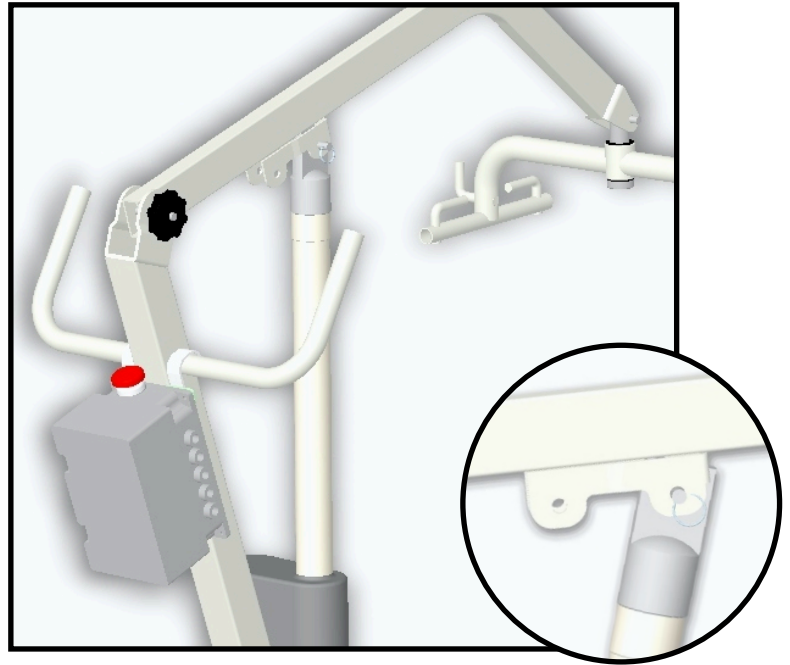
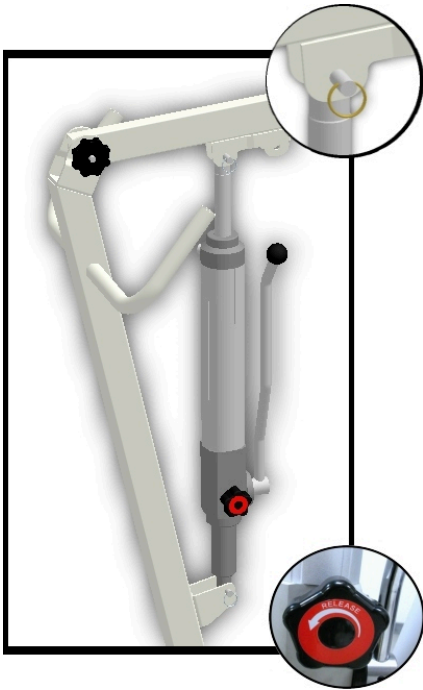
Connection is the same for 400H & 400E



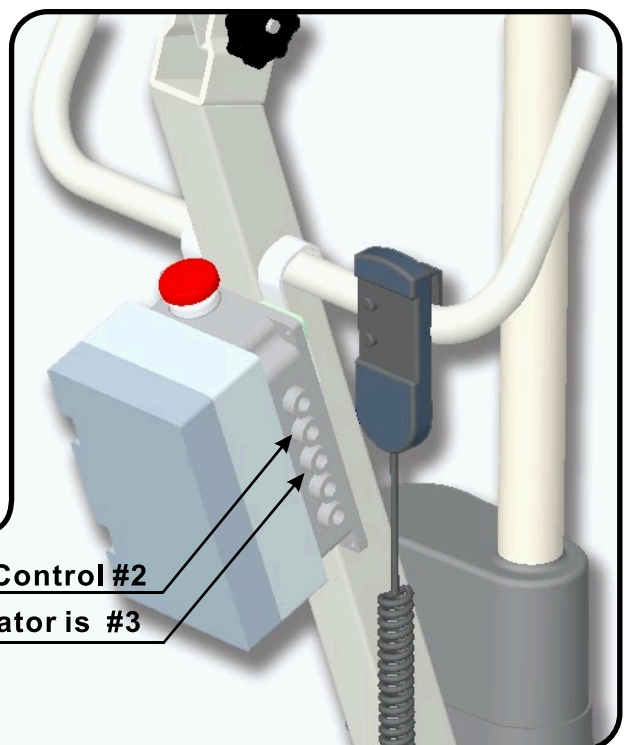
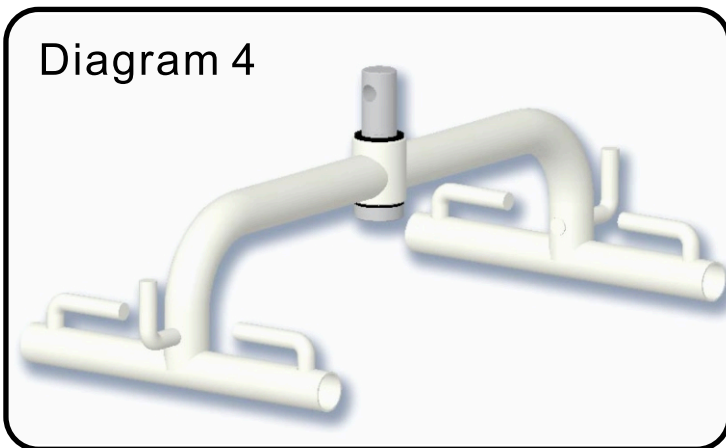


**B.** Attach the top of the Actuator to the top bracket on the Boom and insert the keeper pin and key ring.

**The Genesis 400 Series Lift operates either in a Hydraulic or an Electric mode. The picture to the left shows an Hydraulic Actuator and to the right a Electric Actuator. See the next page for specific**



**C.** Diagram 4, the Spreader Bar is attached to the Boom of the 400H/400E by the Keeper Pin and key ring as seen below.



**Notice: (400E Only)**  
 The Hand Control is in slot #2  
 Actuator is slot #3

Hand Control #2  
 Actuator is #3

**Step 4.** Insert Actuator Plug into Control Box **(400E Only)**