

sure fit®

Wheelchair Cover and Cushion Instruction Sheet for

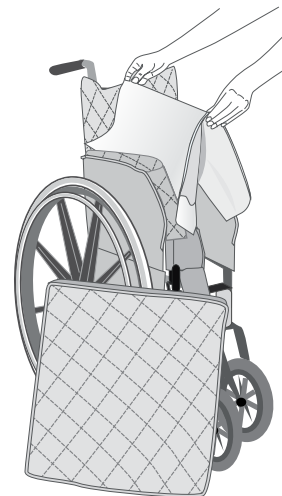
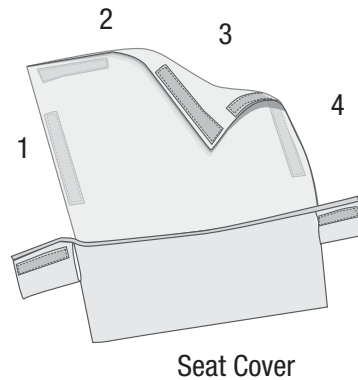
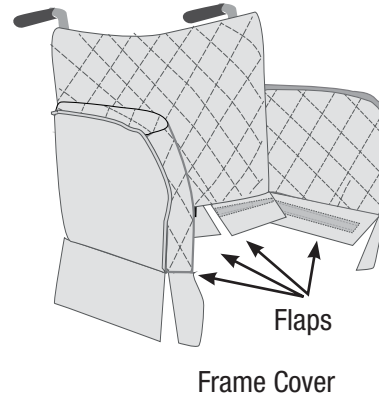
Style # 83140

Fits standard wheelchair
Patent Pending



Step 4 Install The Seat Cover and Cushion

- On the inside of the frame cover, near the seat, there are four flaps with gripper strips. Tuck the two back flaps behind the seat, between the back and the seat.
- The seat cover has four gripper strips. Place the seat cover onto the seat, aligning the two side gripper strips with those on the frame cover and press firmly to secure them together.
- Pair the gripper strips on each side of the seat cover's skirt with strips inside the front of the frame cover's skirt and press them firmly together to secure.
- Pull the back flaps up onto the top of the seat cover.
- Place the covered cushion on the chair with the zipper facing towards the back and align the gripper strips to secure the cushion to the seat.



Note: The cover can remain on the wheelchair when it is folded; simply remove the cushion prior to folding. Always secure all gripper strips after folding the wheelchair.

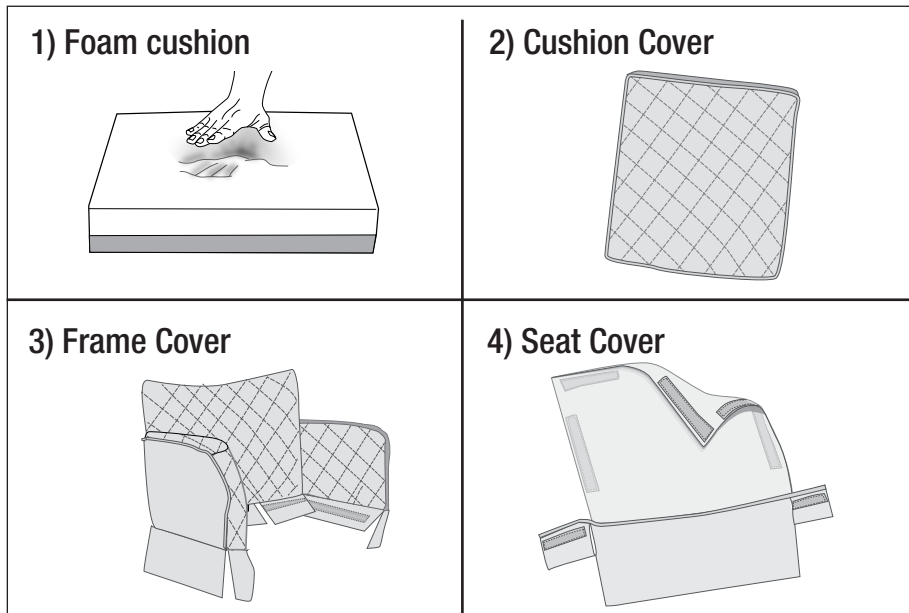
Sure Fit wheelchair covers are compatible with manual wheelchairs, with or without foot rest extensions. We recommend familiarity with manual wheelchairs prior to applying cover. **Please read entire instruction sheet before applying wheelchair covers.**

If you require additional assistance, call 800-914-7298.

If you require additional assistance, call 800-914-7298.

2/6/2012

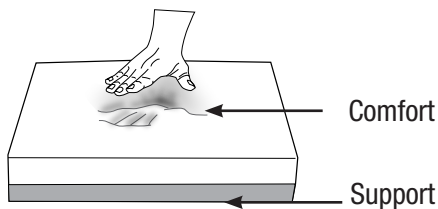
Your wheelchair cover has four separate pieces:



Always apply brakes of wheel chair before applying cover.

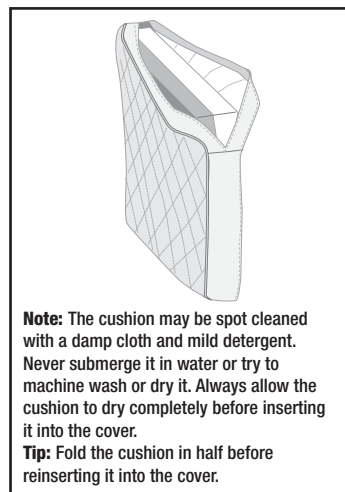
Step 1 Select a side of the foam cushion

Place the white memory foam face up if you prefer more comfort or the blue layer face up if you prefer more support.



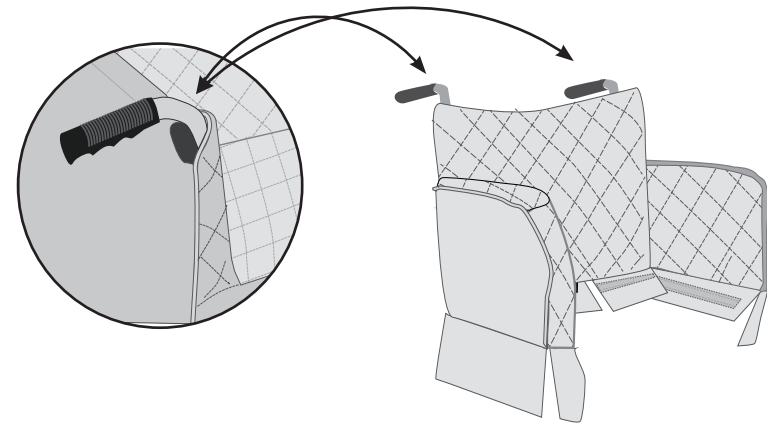
Step 2 Insert Cushion Into Cushion Cover

The top of the cushion cover is quilted. Keeping the foam cushion in its plastic poly bag (open side first), insert the cushion into the cushion cover; then pull off and discard the poly bag and zip shut. Set it aside.



Step 3 Install the frame cover

a. Lay the frame cover on a flat surface (non-quilted side up) and locate the two handle openings at the top back. Stand behind the wheelchair and place the cover over the back of the wheelchair, inserting the two handles through the openings.



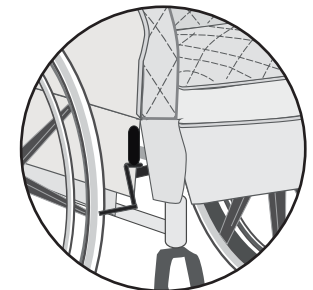
b. Turn the arms inside out to locate two interlocking sets of gripper strips.

c. Unhook and wrap back set of gripper strips over and around the arm frame behind the arm rest on the right side of the chair; firmly press the entire length of the gripper strips together to secure them onto the frame. Repeat on the left side of the chair.



d. Unhook and wrap front set of gripper strips over and around the right armrest; firmly press the entire length of the gripper strips together to secure them on the frame. Repeat on the left armrest.

e. Position the fabric arm covers over the fasteners and let the skirts fall between the frame and the wheels.



The brake handle is located between the small skirt and large skirt at the side of the chair.