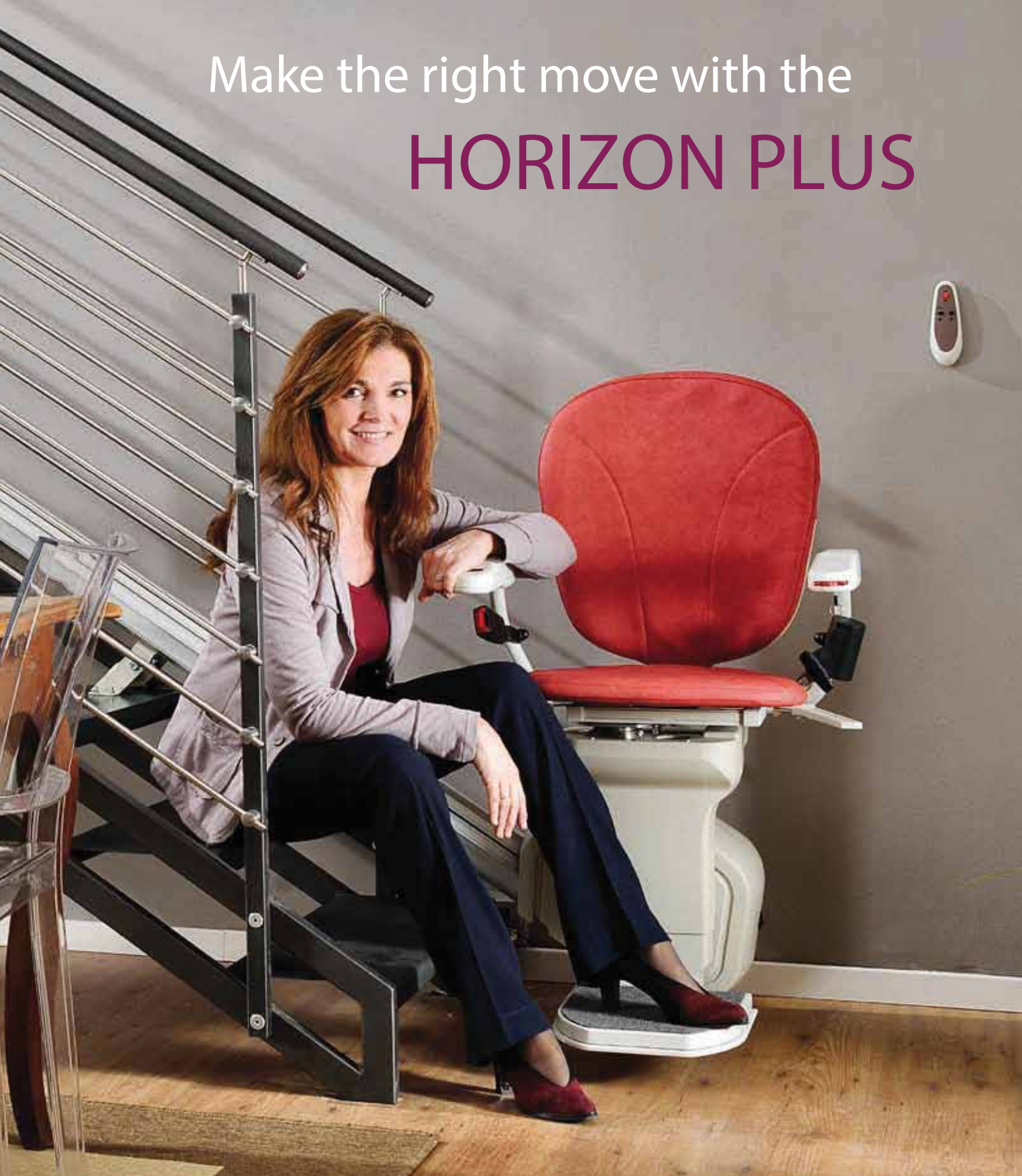


Make the right move with the
HORIZON PLUS



AmeriGlide
*Accessibility
Solutions*

platinum
STAIRLIFTS

The best straight stairlift on the market



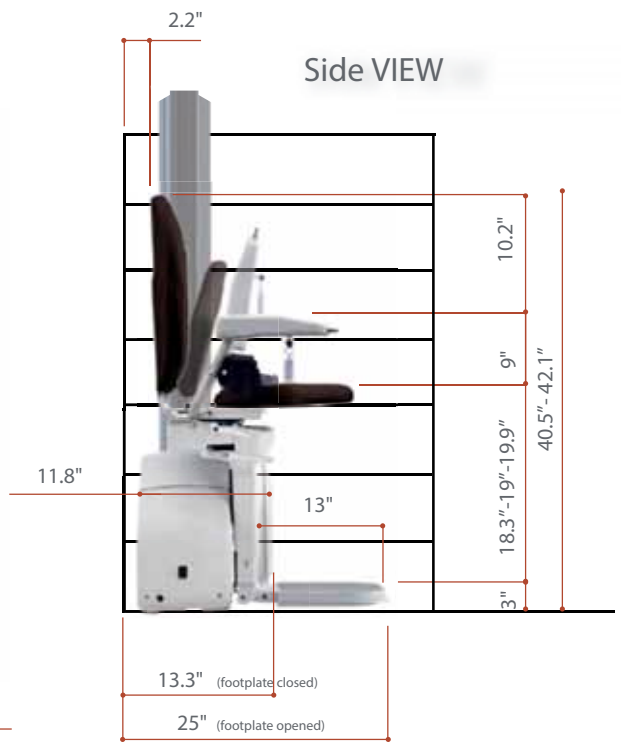
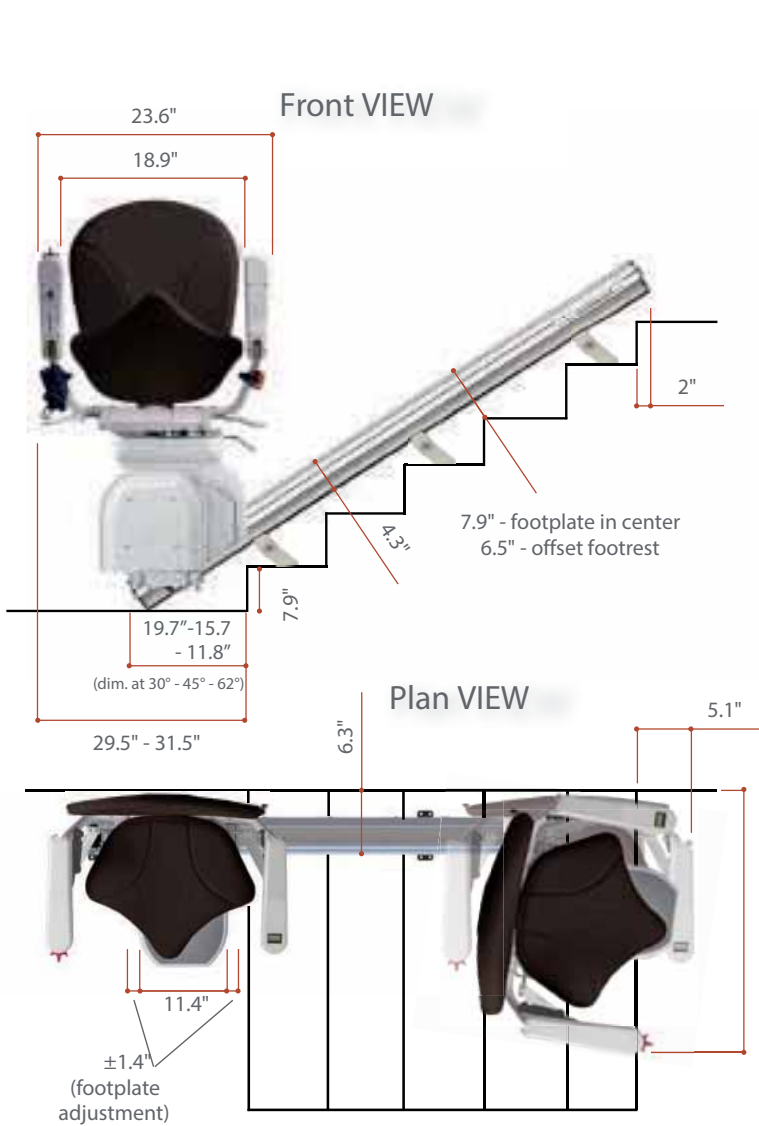
The AmeriGlide Horizon Plus

The complete straight stair lift

Standard Product Features:

- Revolutionary Ergo chair
- Manual swivel
- Manual lever linked footrest
- Adjustable seat to footrest height
- Adjustable sideways footrest
- Maximum user weight limit 308 lbs.
- Anodized Aluminum single rail
- Rail angles - 25° to 62°
- Digital diagnostic display in arm
- Infra-red remote controls
- Retractable reel seat belt.

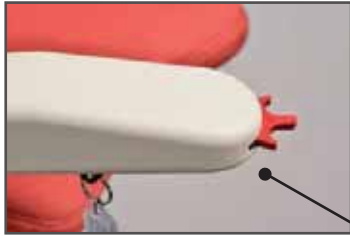




Power supply	Batteries, 2 x 12 volt. consumption 0,014 kWh
Recharge	Automatic, in the charging points
Speed	.12 m/sec (.4 ft/sec).
Wiring	Internal with charging plates at the ends of the rail
Manufacture	Aluminium single rail
Anchorage	Mounting step through telescopic brackets. Wall mounting optional.
Traction	Rack and pinion with OSG control
Diagnostic	built into armrest, internal memory and operating report
Rail slope	25 - 62° max
Engine	Battery supply, 26 kw
Recharge	External unit, 24 volt in two stages
Capacity	308 lbs.



HORIZON PLUS FEATURES



ERGONOMIC JOYSTICK
can be used as a button or lever which makes it easy to operate in a natural and comfortable position, even with limited mobility.



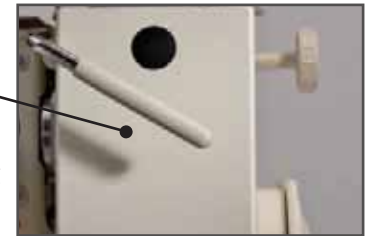
KEY SWITCH
under the armrest helps to prevent unauthorized use of your stair lift.



DIGITAL DIAGNOSTIC DISPLAY
built into the armrest to check all the information about your stair lift in real time.



SEAT SWIVEL LEVER
to turn you at the top of stairs; allowing you to easily exit your stair lift.



FOOTREST LEVER
to open and close the footrest easily without having to bend down.

RETRACTABLE REEL SEAT BELT
to provide additional security while moving in your stair lift.



ERGO PLUS SEAT

designed to optimize the position of the legs when seated.



ERGO STANDARD SEAT



SAFETY EDGE SENSITIVITY

Your stair lift stops immediately in the event of any obstructions on the stairs during travel.

and easy to use.

- Start delay to prevent accidental operation
- Choice of colors. Change the upholstery and look new in seconds.
- Battery operated so works in the event of a power cut
- User weight capacity up to 308 lbs.

Upholstery colors.

Quality fabrics and tailored finishes.



Grey Vinyl



Red Vinyl



Blue Vinyl



Beige Vinyl





AmeriGlide, Inc.
www.ameriglide.com