

WEATHERBREAKER™ Collapsible Canopy Mounting Instructions

Congratulations and thanks for ordering The WeatherBreaker canopy from Diestco Mfg. Corp.! Putting your new WeatherBreaker on your vehicle (wheelchair or scooter) will take 15-20 minutes to install the first time...from then on, its easy to remove and install.

*If you need assistance at anytime during assembly,
CALL US at (800) 795-2392.
Your confusion will be surpassed only by our desire to help.*

Now, let's get down to business. You will need a Phillips screwdriver (could also be a allen or star wrench) and a 7/16" wrench. You are going to do this in three stages.

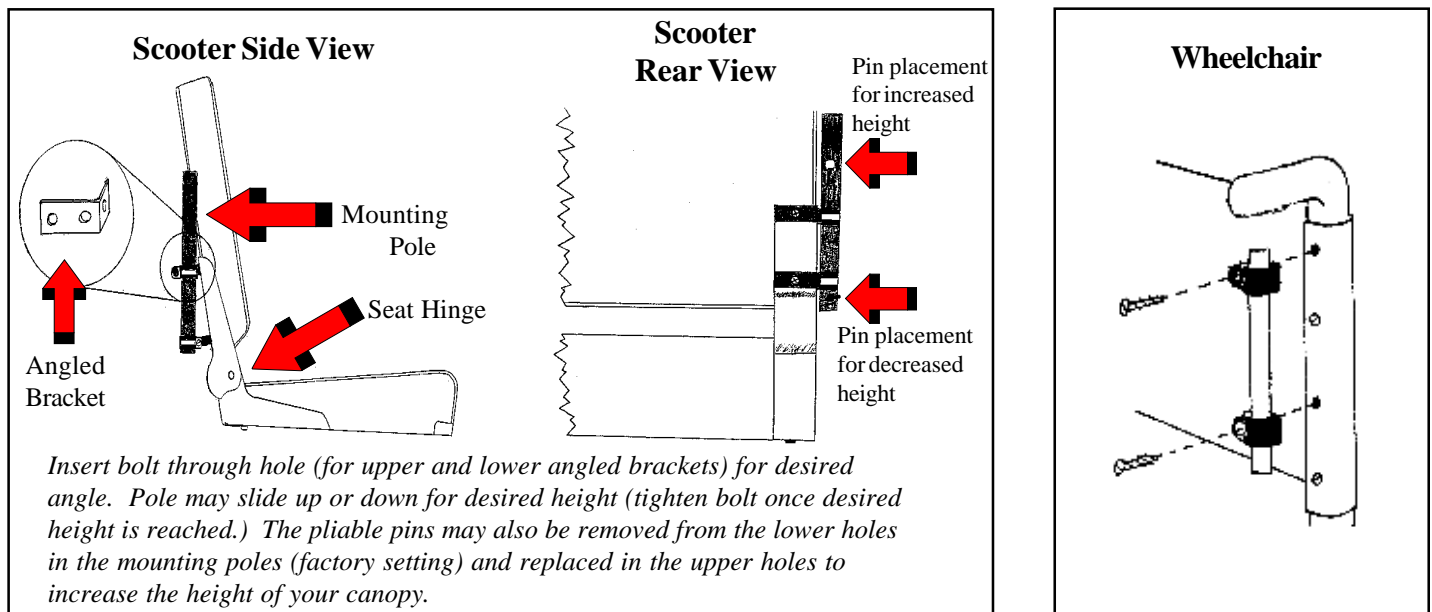
- Stage 1)** Install the mounting poles.
- Stage 2)** Mount the Canopy into the mounting poles.
- Stage 3)** Adjust the Canopy to suit your needs.

Stage 1) INSTALL THE MOUNTING POLES

STAGE 1

For vehicles with screws on backrest.

Remove all of the materials from your kit and arrange it on the floor. Your seat may not look exactly like the one in the drawing. Do not be alarmed. You may need to "tweak" your installation slightly to better accommodate your vehicle.

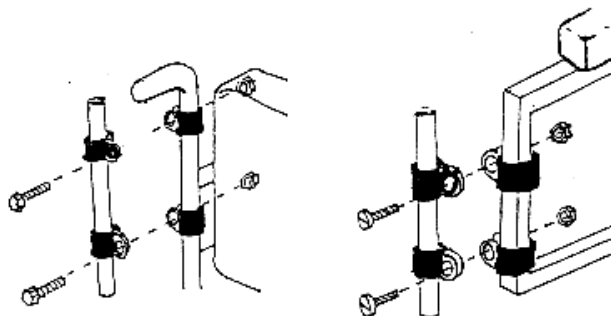


1. Remove the two mounting poles from the kit (the poles with the clamps attached to them, as shown above).
2. Remove two of the screws on one side of your vehicle's seat back (if there are more than 2 screws on each side, use the top screw and the third screw.) These screws could be allen head, starhead, phillips, etc.
3. Insert the two removed screws through the brackets of the mounting pole, such that the mounting poles are positioned along the outer edge of the seat.
4. Re-fasten the two screws through their original holes in the seat back, such that the mounting pole is now attached to the seat back.
5. Repeat steps 2 through 4 for the screws on the other side of the seat back.
6. Do not make any adjustments at this time. Adjustments should be done following Stage 2.

STAGE 1

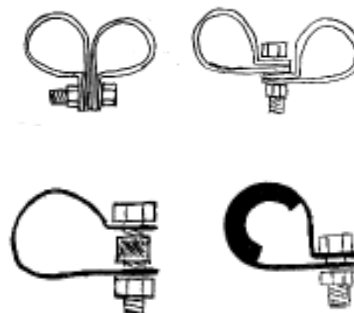
For vehicles with exposed tubing (no screws visible from behind the back rest):

Includes the following scooter models, among others: Pride Shuttle, most Shoprider models, Fortress, Amigo, Lark. Includes the following wheelchair models: Quickie Zippie, Action Tiger, Enduro, most wheelchairs with lift-out or custom seating.



1. Take the 2 mounting poles from your kit (with brackets attached.)
2. **FOR SCOOTERS:** Take the center bolt out of one of the sets of clamps. Wrap the smaller clamp around one of the mounting poles, and the larger clamp around the tubing that supports the scooter's armrest on either side. You may need to bend the bracket to fit snugly around square or flat tubing. Put the bolt back in. The clamps should now be back together as they were in their original configuration. Do not tighten yet; you will adjust the height later.
FOR WHEELCHAIRS: Take the center bolt out of one of the sets of clamps. Wrap the smaller clamp around one of the mounting poles, and the larger clamp around the exposed tubing that supports your wheelchair's back rest on either side.
3. With another set of clamps, follow step 2, placing the second set of clamps:
FOR SCOOTERS: a few inches above or below the first set on the same armrest tubing (do not tighten yet.)
FOR WHEELCHAIRS: a few inches above or below the first set on the same exposed tube that supports your back rest.
4. Follow steps 2 and 3 for the 2nd mounting poles on the other side of your vehicle. Again, don't make any adjustments just yet. Go ahead and finish STAGE 2 and STAGE 3, then come back and tighten or make adjustments if you need to.

NOTE: Clamps may be bolted back together in their original "figure-8" configuration, or "side-by-side" to adjust for desired clearance on your vehicle.



NOTE: If the clamp attached to your vehicle is **TOO LOOSE**, any type take can be "layered" inside the clamp until it is snug. If the clamp attached to your vehicle is **TOO TIGHT** to wrap around your vehicle's tubing, place the **SPACER** (enclosed) inside the clamp and thread a larger bolt through one side of the clamp, through the spacer, then through the other side of the clamp.

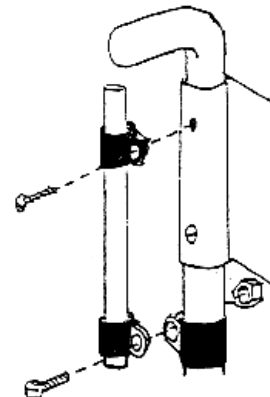
STAGE 1

For vehicles with 1 screw under the push handle, and exposed tubing below:

Includes the following wheelchair models, among others: Quickie Breezy, Quickie 2, many Everest & Jennings models.

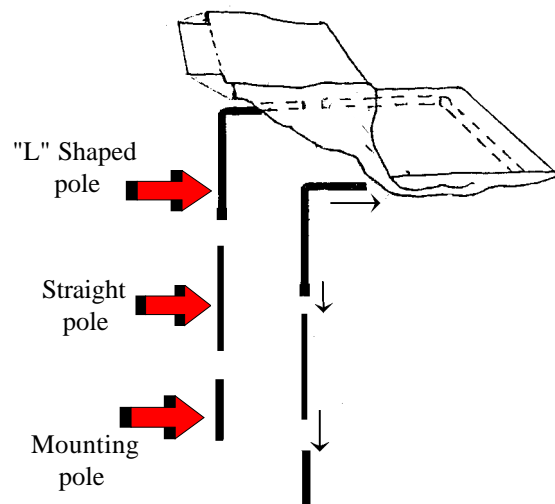
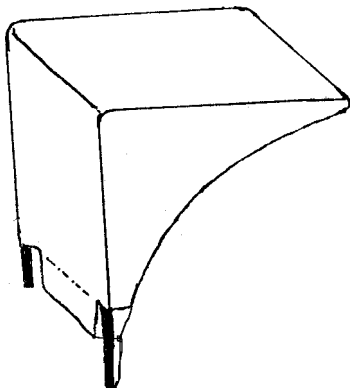
For each of the 2 WeatherBreaker mounting poles:

1. Attach one clamp with the screw under the push handle (follow the instructions for **VEHICLE TYPES WITH SCREWS ON THE BACK REST**.)
2. Attach a set of clamps a few inches below (follow the instructions for **VEHICLE TYPES WITH EXPOSED TUBING (NO SCREWS VISIBLE FROM BEHIND THE BACK REST)**.)



Stage 2) MOUNTING THE CANOPY INTO THE MOUNTING POLES

1. Take the 2 straight poles and the 2 'L' shaped poles from your kit.
2. Slip one straight pole into each of the mounting poles.
3. Slip one 'L' shaped pole into each of the straight poles.



4. Remove the Canopy from your kit.
5. Lift up the tail and slip the canopy poles into the open ends of the 'L' shaped poles.
6. Pull the rear section of the Canopy down and pull the elastic cords around the bottom of the poles.

NOTE: THE CANOPY SHOULD BE TAUT WHEN IN USE. BE SURE THE ELASTIC CORDS ARE TIGHT ENOUGH TO KEEP THE POLES FROM SEPARATING.

Stage 3) ADJUSTING THE CANOPY

Adjusting the height of the Canopy.

1. The height of the Canopy is adjusted by, A) loosening the clamps on the mounting poles and adjusting them either up or down, and, B) placing the pliable pins in the upper or lower holes of the mounting poles (see diagram on front page.)
2. The Canopy should be adjusted to a height that you are most comfortable with. You will receive greater protection from the sun and rain if the Canopy is closer to your head. However, the Canopy should not be so close to your head that it interferes with you getting on and off of your vehicle.

Lastly, take the stuff sack and wrap the cord around the mounting poles so that it hangs behind your vehicle. The WeatherBreaker can be collapsed and stored in it's stuff sack when it's not in use.

Congratulations!

You're done. Now go out and have some fun!

Manufactured by:

DIESTCO
Manufacturing Company

P.O. Box 6504, Chico, CA, 95927
(800) 795-2392 • www.diestco.com

SPECIAL NOTES (SEE HIGHLIGHTED SECTION)

STAGE 2 FOR TILT-IN-SPACE: Follow Stage 2, however when the wheelchair is in the tilt position, add the angled poles in your kit (they will replace the straight pole on each side of your wheelchair.) This will enable your canopy to be more level while the wheelchair is tilted.

STAGE 2 USING A PEDIATRIC SIZE CANOPY FOR WHEELCHAIRS/STROLLERS SMALLER THAN 12" WIDTH: Follow Stage 2. However, use the enclosed bent tubes, replacing the "straight tubes" in the instructions. This will allow your canopy to mount properly, and provide maximum protection from the sun and rain.

STAGE 2 USING AN ADULT SIZE CANOPY FOR VEHICLES LARGER THAN 20" OR SMALLER THAN 16" WIDTH: Follow Stage 2. However, use the enclosed "S" jog tubes, replacing the "straight tubes" in the instructions, to reduce/extend the width. These "S" jog tubes feature a push-button interlock system to prevent the canopy from swaying. Before tightening the hardware be sure the push-buttons are in a position to reach and use. This will allow your canopy to mount properly, and provide maximum protection from the sun and rain.

STAGE 2 FOR STROLLERS: Follow stage 2. However, use the enclosed bent tubes replacing the "straight poles" in the instructions. This will enable your canopy to be more level.

GENERAL NOTES:

- If you need your canopy to be lower than it's lowest setting, the straight pole can be cut.
- Some kits include a universal mounting kit. You may need to discard some of the mounting hardware or have additional hardware sent to you if you have received this kit. See the drawing that looks most like the vehicle that you are mounting your canopy on, and follow those instructions. Then discard any unnecessary parts.
- Some wheelchairs have seatback-fabric that wraps around the vertical backrest support tubes of the wheelchair. In this case, we have included "C" shaped clamps that will compress the canopy's mounting tube to the wheelchair. If you need these type clamps and they are not included in your kit, call us at 800-795-2392 and we will have them delivered to you.

