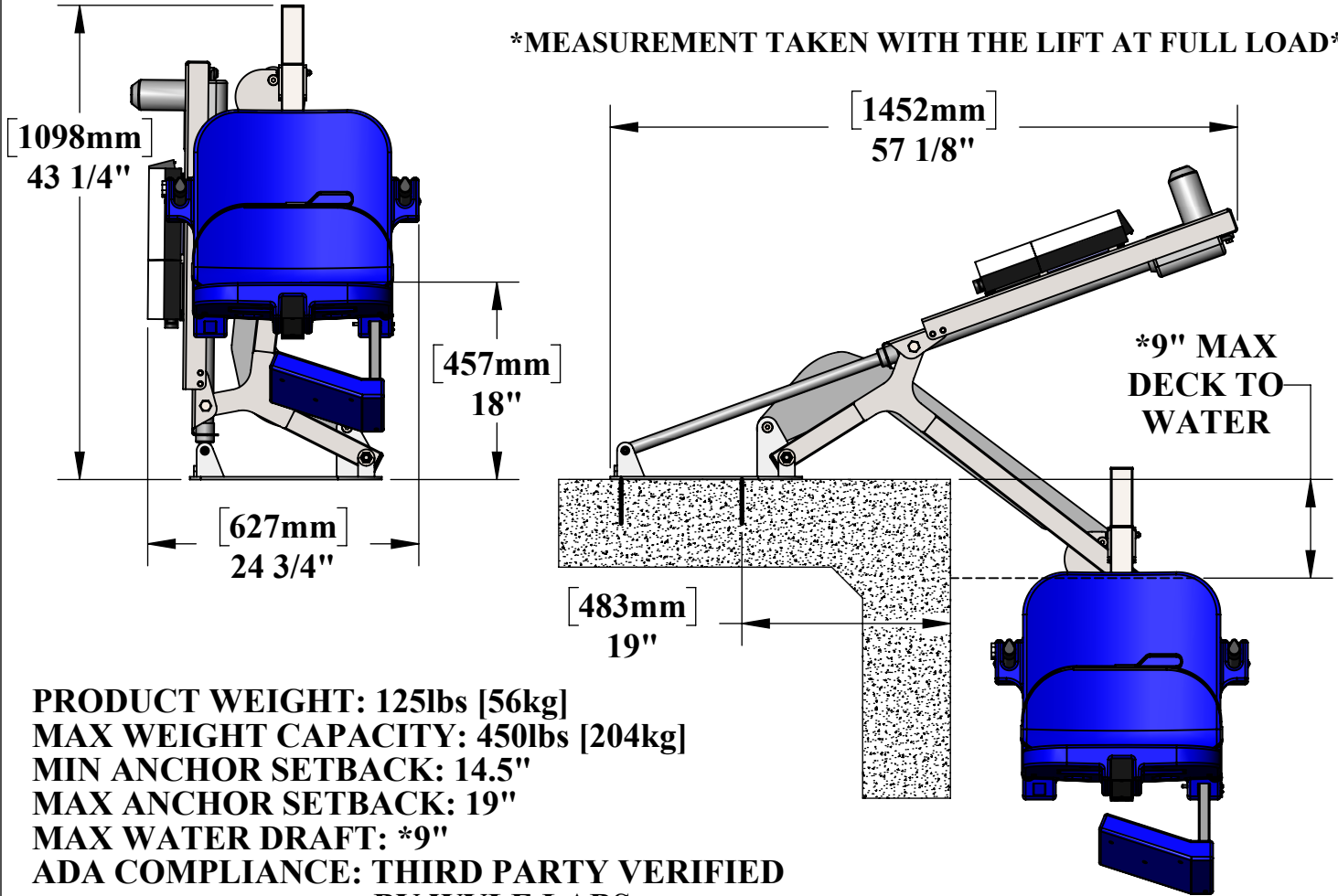


# PRO POOL-AT POOL LIFT

US PATENT NO'S: [7,249,386 B2] [D507,769 S]

**\*MEASUREMENT TAKEN WITH THE LIFT AT FULL LOAD\***



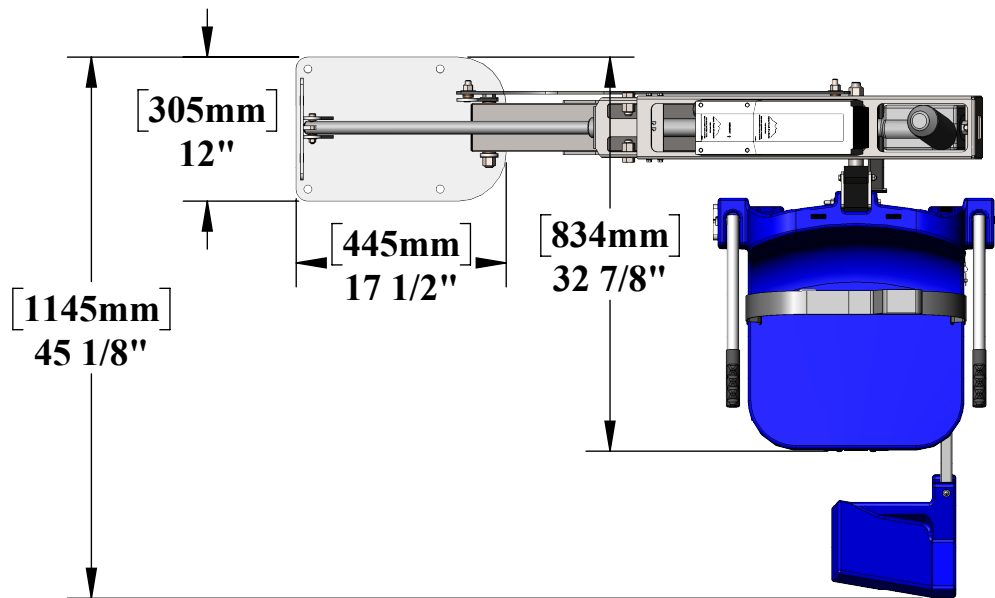
**PRODUCT WEIGHT: 125lbs [56kg]**  
**MAX WEIGHT CAPACITY: 450lbs [204kg]**  
**MIN ANCHOR SETBACK: 14.5"**  
**MAX ANCHOR SETBACK: 19"**  
**MAX WATER DRAFT: \*9"**  
**ADA COMPLIANCE: THIRD PARTY VERIFIED BY WYLE LABS**



Inspected And Verified To Meet  
 Applicable Sections of ADA  
 Guidelines Section 1009.2 By

**wyle**  
 laboratories

A Registered ISO 9001  
 Laboratory



9889 GARRYMORE LANE  
 MISSOULA, MT 59808  
 (406) 549-0769  
 FAX (406) 549-2602

NOTE:  
 \*SPECIFICATIONS ARE SUBJECT TO CHANGE WITHOUT NOTICE

PRODUCT:		<b>PRO POOL-AT</b>	
PART #:		<b>F-004PLBNA-AT1</b>	
SCALE:	<b>1:16</b>	DATE:	<b>5/8/2017</b>
DRAWN BY:	<b>KR</b>	REVISION:	<b>A</b>