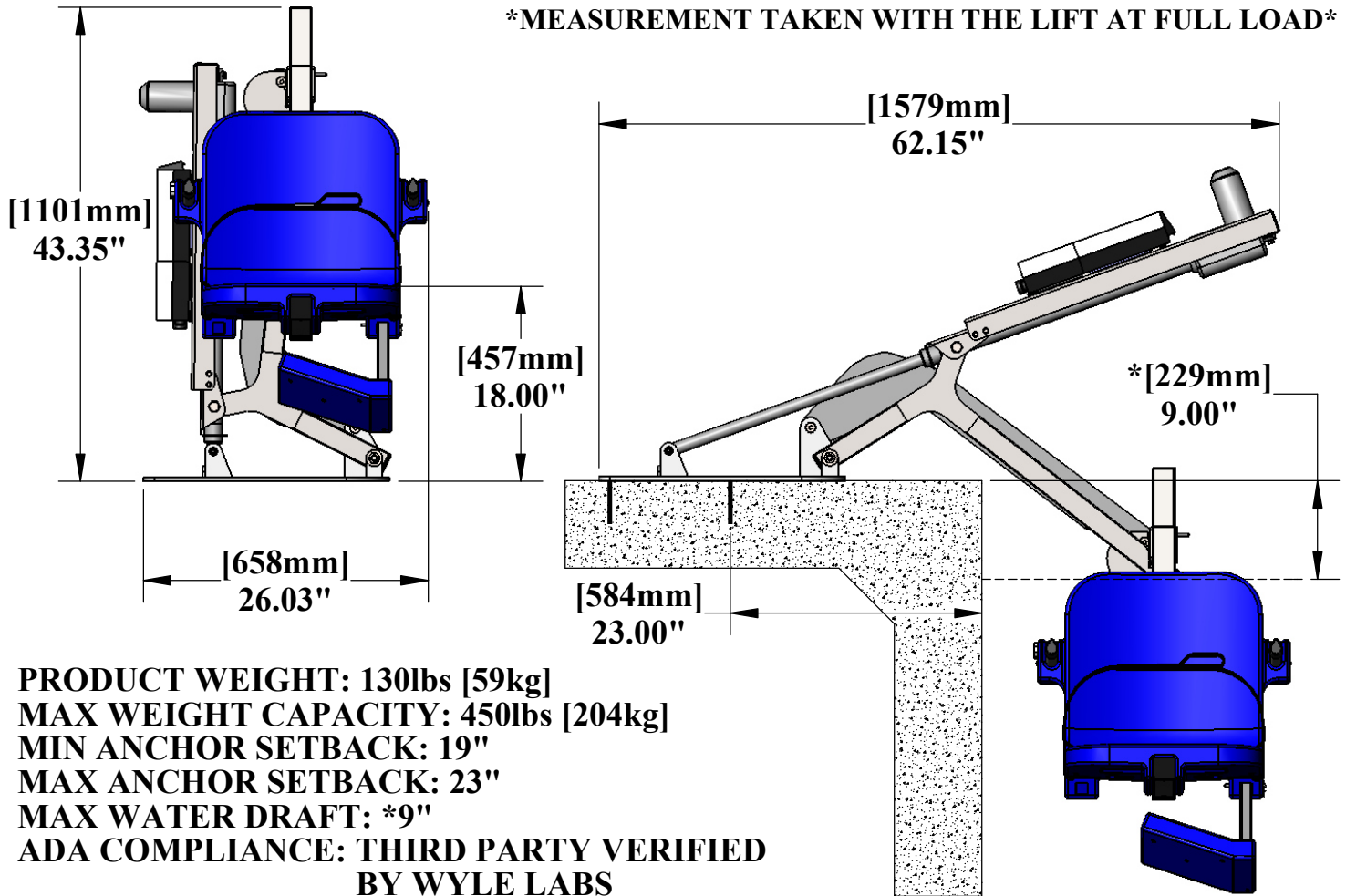


# PRO POOL-AT 23" POOL LIFT

US PATENT NO'S: [7,249,386 B2] [D507,769 S]

\*MEASUREMENT TAKEN WITH THE LIFT AT FULL LOAD\*



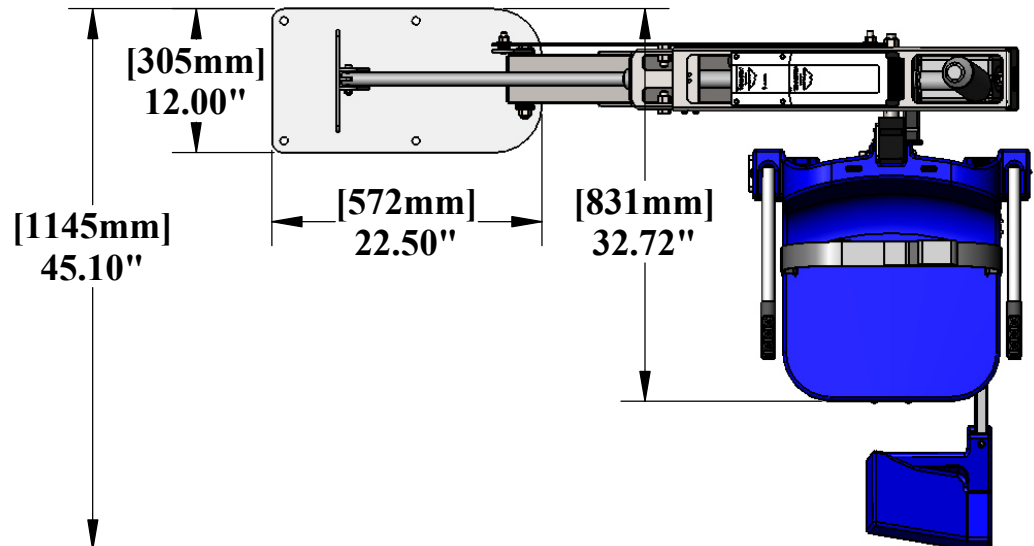
**PRODUCT WEIGHT: 130lbs [59kg]**  
**MAX WEIGHT CAPACITY: 450lbs [204kg]**  
**MIN ANCHOR SETBACK: 19"**  
**MAX ANCHOR SETBACK: 23"**  
**MAX WATER DRAFT: \*9"**  
**ADA COMPLIANCE: THIRD PARTY VERIFIED BY WYLE LABS**



Inspected And Verified To Meet  
 Applicable Sections of ADA  
 Guidelines Section 1009.2 By

**wyle**  
 laboratories

A Registered ISO 9001  
 Laboratory



9889 GARRYMORE LANE  
 MISSOULA, MT 59808  
 (406) 549-0769  
 FAX (406) 549-2602

NOTE:  
 \*SPECIFICATIONS ARE SUBJECT TO CHANGE WITHOUT NOTICE

PRODUCT:	F-004PLB-23-AT1		
DWG #:	1 OF 1		
SCALE:	1:16	DATE:	1/26/2017
DRAWN BY:	EF	REVISION:	A