

INSTRUCTIONS FOR RUBBER THRESHOLD RAMP

BEFORE YOU BEGIN

1. Maximum weight limit is 850 pounds.
2. Read and follow all instructions before use. Do not use if ramp is damaged or unstable.
3. For use with wheelchairs and scooters only. Ramp is intended for residential use.
4. **IMPORTANT:** Use ramp only with a qualified helper and always use your lap belt.
5. **WARNING:** It is important that you refer to your equipment's (wheelchair or scooter) Owner Guide for the proper degree of incline/decline and chair direction before using ramp. Never exceed its recommendations.

FITTING A RUBBER THRESHOLD RAMP: Ramp can be easily trimmed to accommodate lower heights and narrower widths and, if necessary, notched to suit the doorjamb configuration. Alternately, ramp can be combined with an additional Rubber Threshold Ramp and one set of Rubber Risers to create a maximum height of 4¾".

1. If door threshold is equal to the height of the Rubber Threshold Ramp (2½" high), use Threshold Ramp as is (see DIAGRAM 2, section A).
2. If door threshold is less than the height of the Rubber Threshold Ramp (2½" high), trim ramp to the desired height, depth and/or width using a reciprocating saw, razor knife, or hand saw (see DIAGRAM 1).

⚠ WARNING: Use caution when operating any non-manual saw as serious injury may result due to unexpected binding or pinching of rubber ramp material. Always follow tool manufacturer's safety guidelines.

3. If door threshold is greater than the height of the Rubber Threshold Ramp (2½" high), two Rubber Threshold Ramps (as shown in DIAGRAM 2, sections A & B) along with one pair of Threshold Risers (DIAGRAM 2, section C) can be combined to accommodate a rise up to 4¾" high.
 - a. When creating greater heights, an additional Rubber Threshold Ramp (Section B of DIAGRAM 2) will be used. **NOTE:** With this configuration, Section A must remain at its original height (ok to trim width only).
 - b. Section B, as shown in DIAGRAM 2, can be trimmed to the desired height, depth and/or width. If Section B is trimmed, the Rubber Riser (Section C), used to increase overall height, needs to be trimmed to match the depth of Section B.
 - c. Secure Section B to Section C using supplied Phillips Head Screws.

SECURING THE RAMP: It is recommended that the Rubber Threshold ramp be secured to the surface it is laying upon.

1. ATTACHING TO WOOD

- a. Place ramp in desired location and ensure that surface is free of dirt and debris.
- b. Secure ramp using supplied Phillips head screws (2 each). Space screws evenly (see DIAGRAM 2 for placement) and drive until head is ¼" below the ramp surface.

2. ATTACHING TO CONCRETE

- a. Place ramp in desired location and ensure that surface is free of dirt and debris.
- b. Secure ramp using supplied Phillips head screws and concrete anchors (2 each).
- c. Place a cardboard template under the ramp, then install screws in locations shown in DIAGRAM 2. Drive screws until they penetrate the cardboard template (top of screw will be roughly ¼" below the ramp surface).
- d. Remove ramp, but **DO NOT REMOVE SCREWS**. Using the holes made in the cardboard as a guide, drill anchor holes into concrete using a 5/16" masonry bit.
- e. Remove template, then insert anchors into concrete. Drive each screw into anchor until the screw head is ¼" below the ramp surface.

DIAGRAM 1

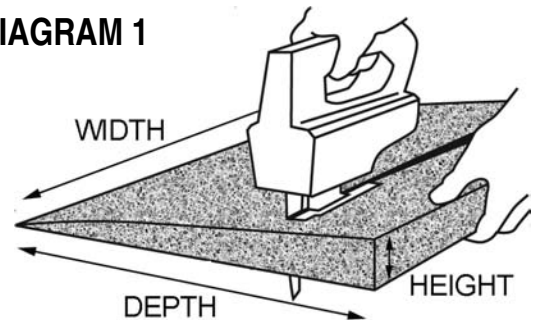
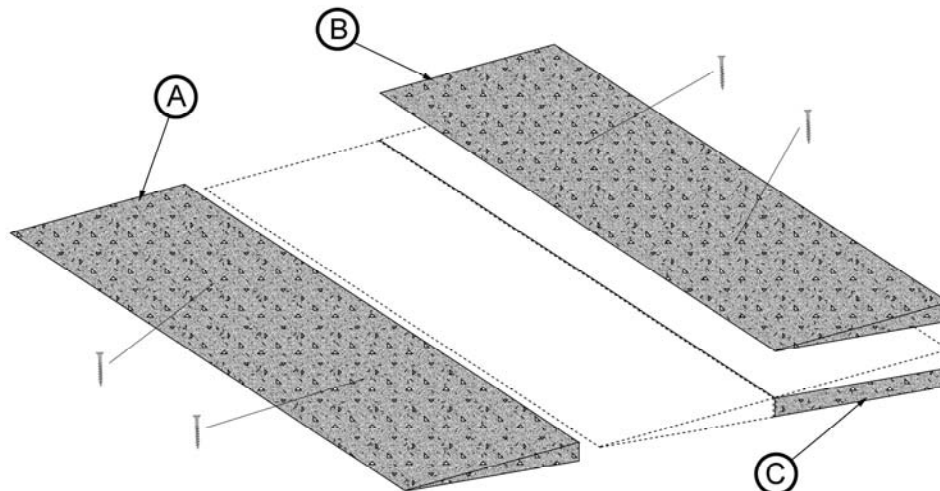


DIAGRAM 2



INSTRUCTIONS FOR RUBBER CARGO WEDGE

BEFORE YOU BEGIN

1. Maximum weight limit is 850 pounds.
2. Read and follow all instructions before use. Do not use if product is damaged or unstable.
3. Not intended for commercial use.

FITTING THE RUBBER CARGO WEDGE

The EZ-ACCESS Rubber Cargo Wedge can be easily trimmed to accommodate lower heights and narrower widths and notched to suit the desired configuration using a reciprocating saw, razor knife, or hand saw.

1. Measure height, width, and length of area to be fitted with the Rubber Cargo Wedge. **NOTE:** It is recommended that you create a cardboard template of the area before cutting.
2. Place template on top of Rubber Cargo Wedge and mark areas as shown in DIAGRAM 1.
3. Using a reciprocating saw, razor knife, or hand saw, trim as needed (DIAGRAM 2).

⚠ WARNING: Use caution when operating any non-manual saw as serious injury may result due to unexpected binding or pinching of rubber wedge material. Always follow tool manufacturer's safety guidelines.

4. Place Rubber Cargo Wedge in recessed area of vehicle as shown in DIAGRAM 3.



DIAGRAM 1



DIAGRAM 2



DIAGRAM 3