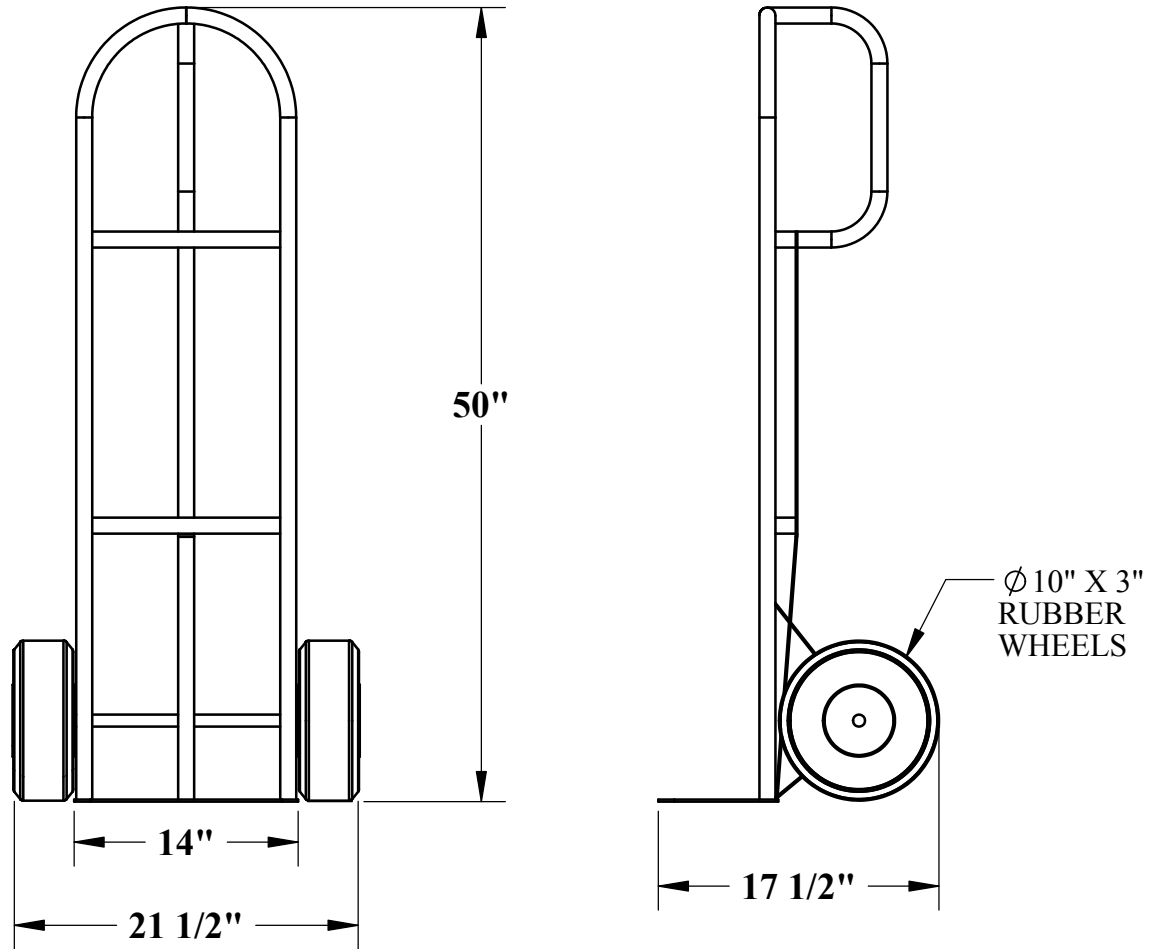


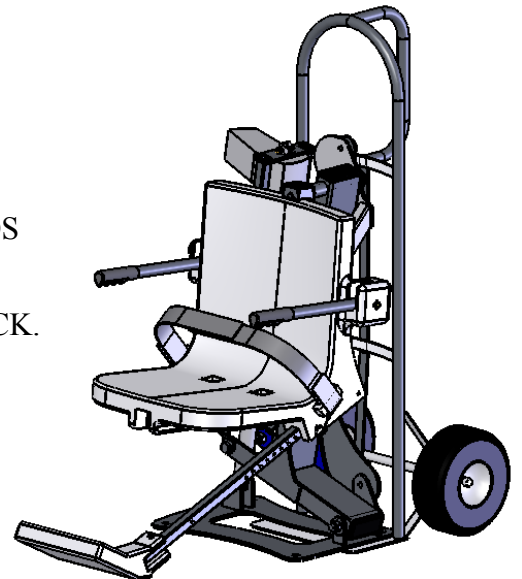
# PRO POOL TRANSPORT CART



## SPECIFICATIONS:

THE AQUA CREEK PRO POOL TRANSPORT CART SHALL BE AN ALL STEEL FRAME, POWDER COATED CART WITH 10" RUBBER WHEELS. A 1" POLYESTER STRAP WITH HOOK ENDS SHALL BE INCLUDED TO SECURE THE LIFT TO THE CART. THE LIFT AND CART SHALL BE STORABLE TOGETHER, ALLOWING FOR EASY TRANSPORT TO/FROM THE POOL DECK.

CART FRAME: POLYESTER POWDER COATED STEEL  
 WHEELS: 10" X 3" RUBBER WITH STEEL HUB  
 STRAP: 1" X 10' POLYESTER W/HOOKS



9889 GARRY MORE LANE  
 MISSOULA, MT 59808  
 (406) 549-0769  
 FAX (406) 549-2602



**Aqua Creek Products**  
 The Total Solution for Pool and Spa Access

NOTE:  
 \*SPECIFICATIONS ARE SUBJECT TO CHANGE WITHOUT NOTICE  
 \*ALL DIMENSIONS ARE IN INCHES

PRODUCT:	F-428HT	
DWG #:	F-428HT-1	
SCALE:	1:12	DATE: 12/23/08
DRAWN BY:	DS	REVISION: A