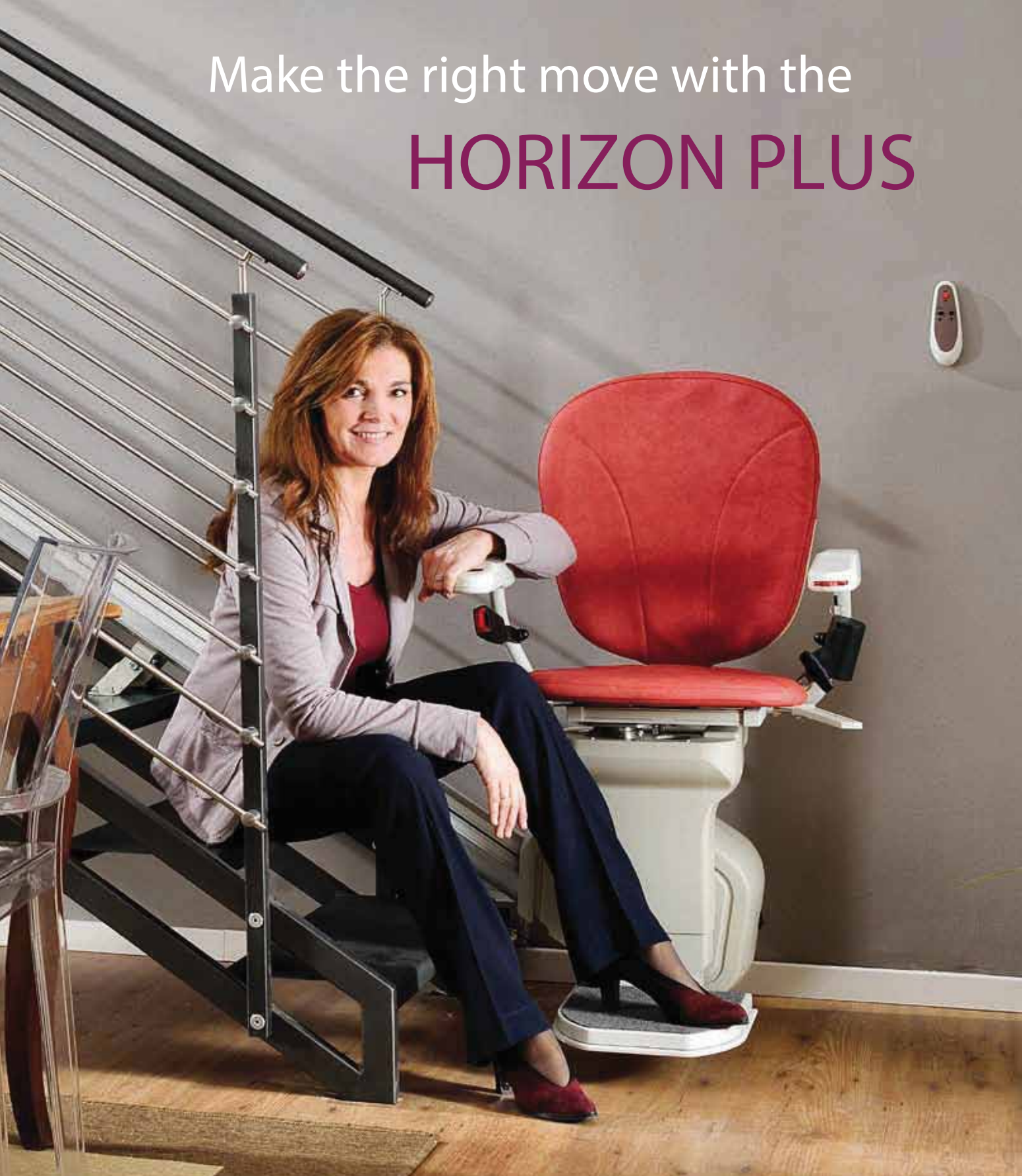


Make the right move with the  
**HORIZON PLUS**



# The best straight stairlift on the market



## The AmeriGlide Horizon Plus

The complete straight stair lift

### Standard Product Features:

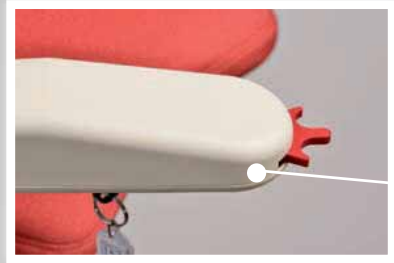
- Revolutionary Ergo chair
- Manual swivel
- Manual lever linked footrest
- Adjustable seat to footrest height
- Adjustable sideways footrest
- Maximum user weight limit 308 lbs.
- Anodized Aluminum single rail
- Rail angles - 25° to 62°
- Digital diagnostic display in arm
- Infra-red remote controls
- Retractable reel seat belt.



# Discover the unique features.

## Ergonomic joystick

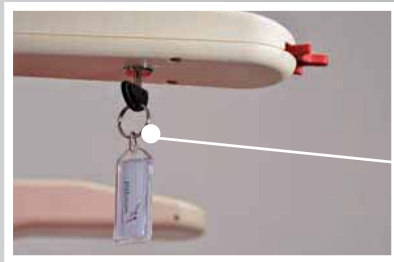
Can be used as a button or lever to make the stairlift easy to operate in a natural and comfortable position even with limited mobility.



Unique worldwide

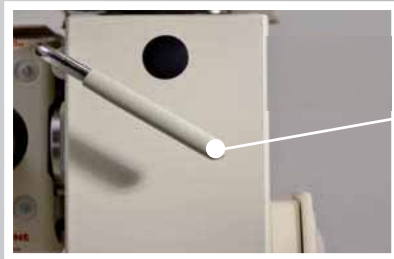
## Security key switch

under the armrest, to prevent unauthorized use of your stairlift.



## Independent lever linked footrest raiser

to open and close the footrest easily when you need it without having to bend down (powered option also available). Also allows easy transfer for wheelchair users.



## ERGO plus seat

designed to optimize the position of the legs when seated.



ERGO PLUS SEAT

Unique worldwide

## Digital diagnostic display

built into the armrest, to check all the information and diagnostics about your stairlift in real time.

Unique worldwide

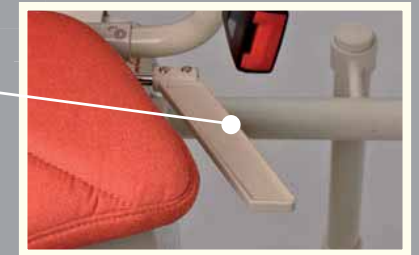
## Retractable reel seat belt

to provide additional security to move safely.



## Seat swivel lever

To turn you at the top of the stairs, simply lift the swivel lever up.



## Safety edge sensitivity

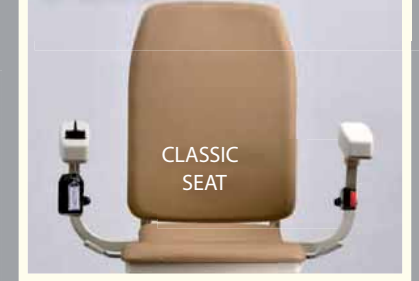
These would immediately stop the stairlift in the event of any obstructions on the stairs during travel.



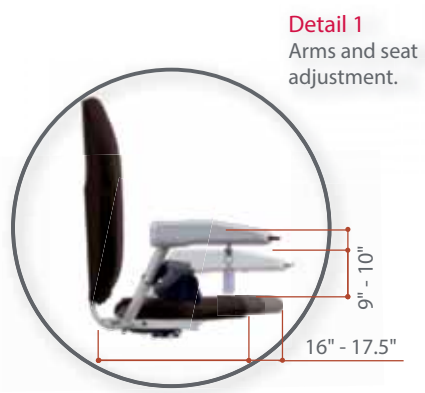
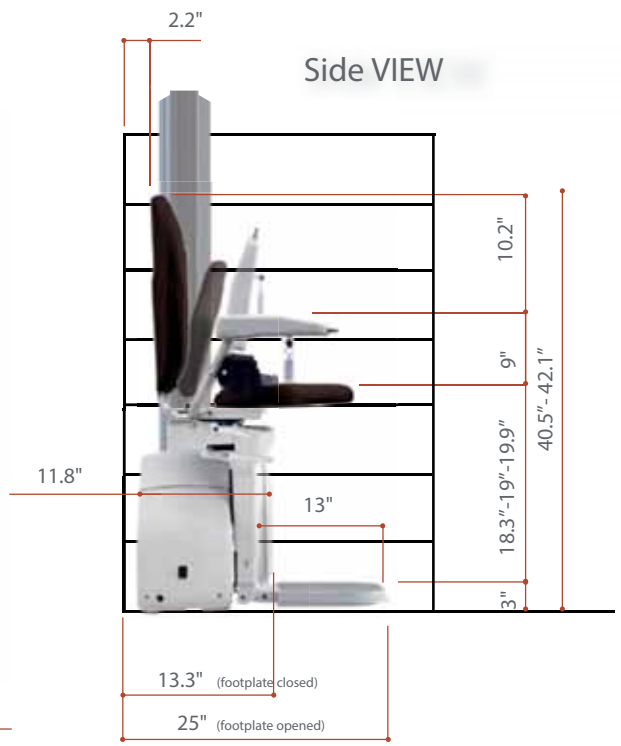
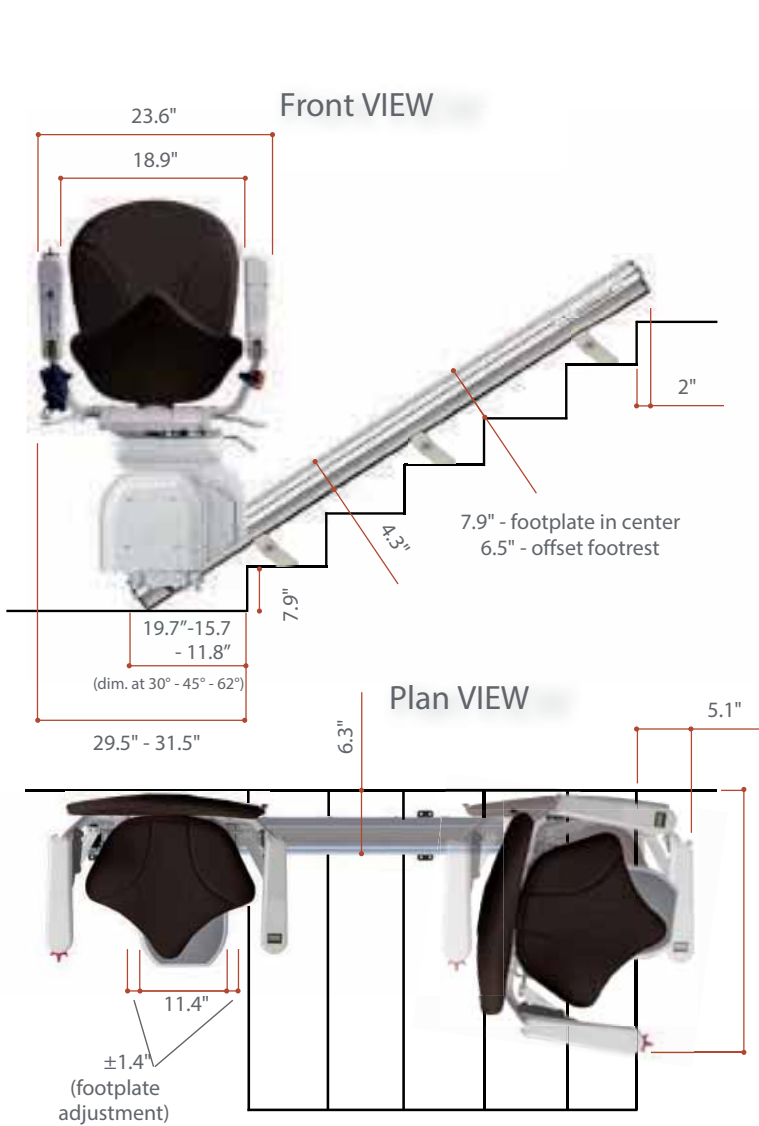
ERGO STANDARD SEAT

## HD Classic seat

An option unique to the Platinum Curve designed with a user weight of up to 160 kg.



CLASSIC SEAT



Power supply	Batteries, 2 x 12 volt. consumption 0,014 kWh
Recharge	Automatic, in the charging points
Speed	.12 m/sec (.4 ft/sec).
Wiring	Internal with charging plates at the ends of the rail
Manufacture	Aluminium single rail
Anchorage	Mounting step through telescopic brackets. Wall mounting optional.
Traction	Rack and pinion with OSG control
Diagnostic	built into armrest, internal memory and operating report
Rail slope	25 - 62° max
Engine	Battery supply, 26 kw
Recharge	External unit, 24 volt in two stages
Capacity	308 lbs.



# and easy to use.

- Start delay to prevent accidental operation
- Choice of colors. Change the upholstery and look new in seconds.
- Battery operated so works in the event of a power cut
- User weight capacity up to 308 lbs.

## Upholstery colors.

Quality fabrics and tailored finishes.



Grey Vinyl



Red Vinyl



Blue Vinyl



Beige Vinyl





**AmeriGlide, Inc.**  
[www.ameriglide.com](http://www.ameriglide.com)