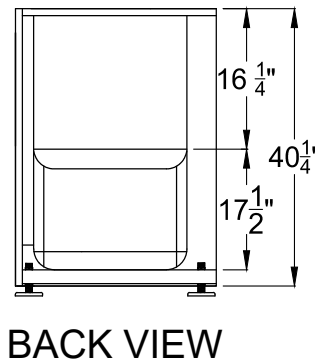
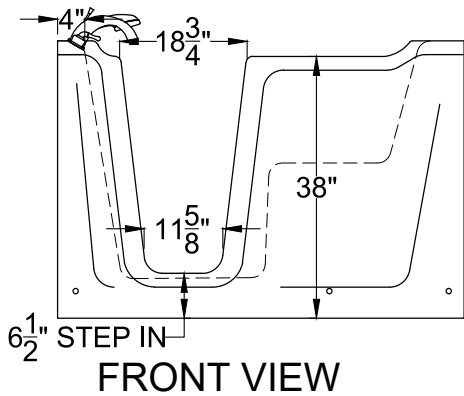
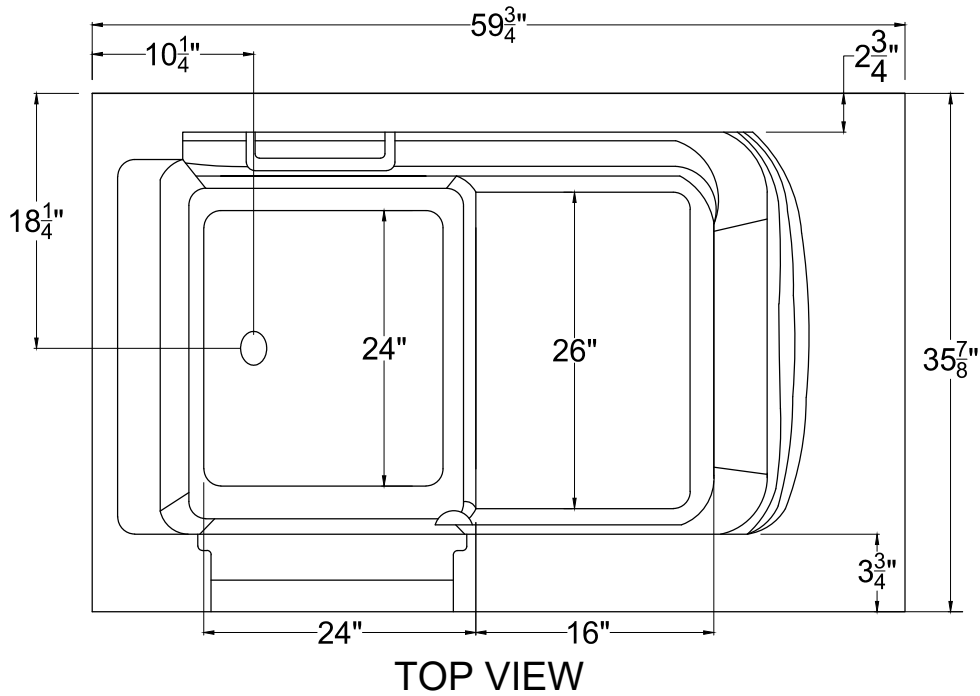




## 3660


**BARIATRIC • RETROFIT • TILE FLANGE INCLUDED**

Meditub's 36x60 is constructed of the highest grade fiberglass composites with a triple gel coat finish for beauty and durability. The 36x60 is our largest, bariatric walk-in bath tub. It comes with a stainless steel frame for long lasting strength and adjustable feet for easy leveling during installation.





**TILE FLANGE IS INCLUDED**

**UNIT COLORS:**

 white

**TRIM COLORS:**




 chrome

 color-matched



**OPTIONS:**

- soaker
- air therapy
- hydro therapy
- dual therapy

**ACCESSORIES:**

-  chromatherapy
-  aromatherapy
-  autodrain

**DOOR / DRAIN SIDE OPTIONS:**

-  left
-  right

Available Colors.....	White	Air System Available .....	Yes
Material .....	Gelcoat	Hydro System Available .....	Yes
Door Swing .....	Inward	Dual System Available .....	Yes
Extension Kit.....	No	Non Slip Floor .....	Yes
Dimensions.....	36(W)x60(L)x40(H)	Faucet Deck .....	Yes
Seat .....	Yes	Capacity .....	95Gal
Seat Height .....	17"	Unit Weight .....	266Lbs
Seat Contoured.....	Yes	Approx Shipping Weight.....	283Lbs