



# Infinity MKII Curved Stair Lift

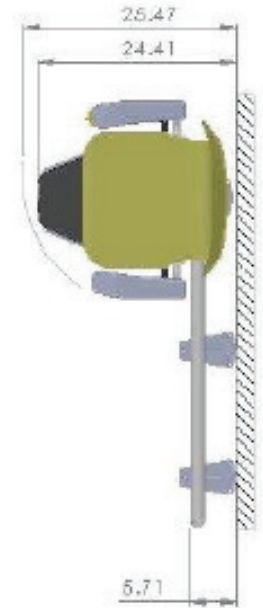
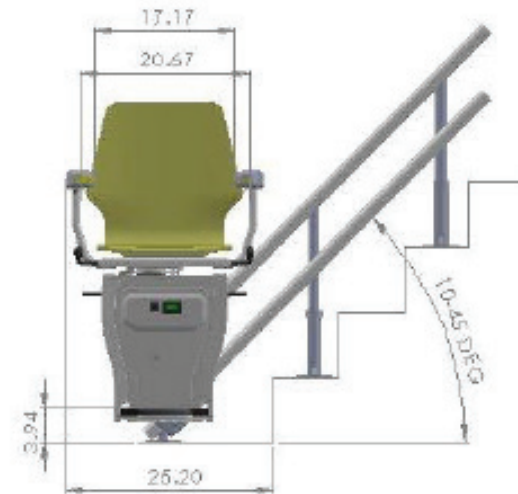
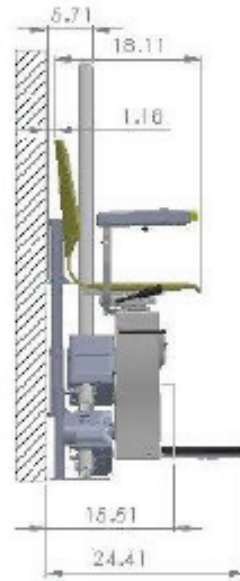
## Technical Specifications

### Product Features:

Rack and Pinion Drive  
24v DC Motor  
120v Charger  
Powder Coated Steel Rail  
Weight Capacity: 275 lbs.

### Optional Features:

Upholstery color options  
Dual Arm Control Kit  
Retractable Seat Belt  
Rail Foot Covers  
Intermediate Rail Charge Point



### Document Information:

- All measurements are in inches.
- All dimensions measured from the wall are nominal.
- The addition of a wider stringer or similar obstruction may affect the dimensions taken from this point.
- The color represented in this document is for illustrative purposes only.

### Please Note:

The Infinity MKII Curved Stair Lift can only be used with the supplied rail. Failure to use the correct rail for the carriage could result in significant safety issues. **Weight Capacity: 275 lbs.**