



Infinity MKII HD Curved Stair Lift

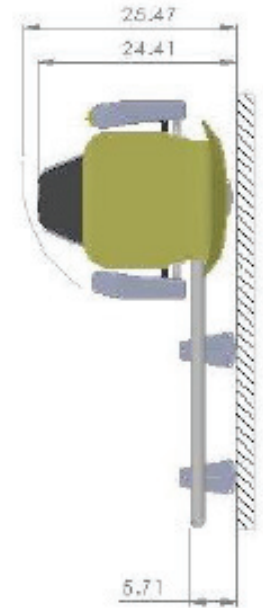
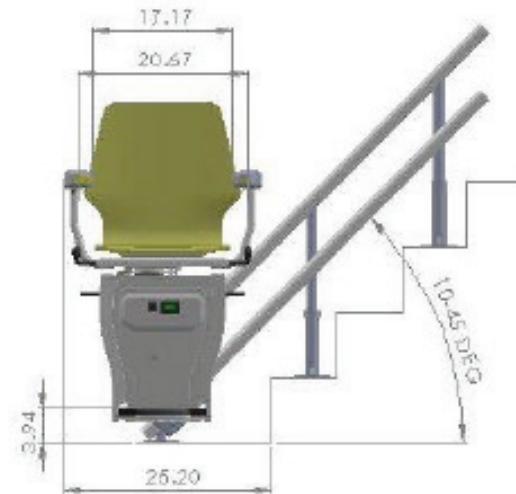
Technical Specifications

Product Features:

Rack and Pinion Drive
24v DC Motor
120v Charger
Powder Coated Steel Rail
Weight Capacity: 350 lbs.

Optional Features:

Upholstery color options
Dual Arm Control Kit
Retractable Seat Belt
Rail Foot Covers
Intermediate Rail Charge Point



Document Information:

- All measurements are in inches.
- All dimensions measured from the wall are nominal.
- The addition of a wider stringer or similar obstruction may affect the dimensions taken from this point.
- The color represented in this document is for illustrative purposes only.

Please Note:

The Infinity MKII HD Curved Stair Lift can only be used with the supplied rails. Failure to use the correct rails for the carriage could result in significant safety issues. **HD Weight Capacity: 350 lbs.**