

**AmeriGlide**

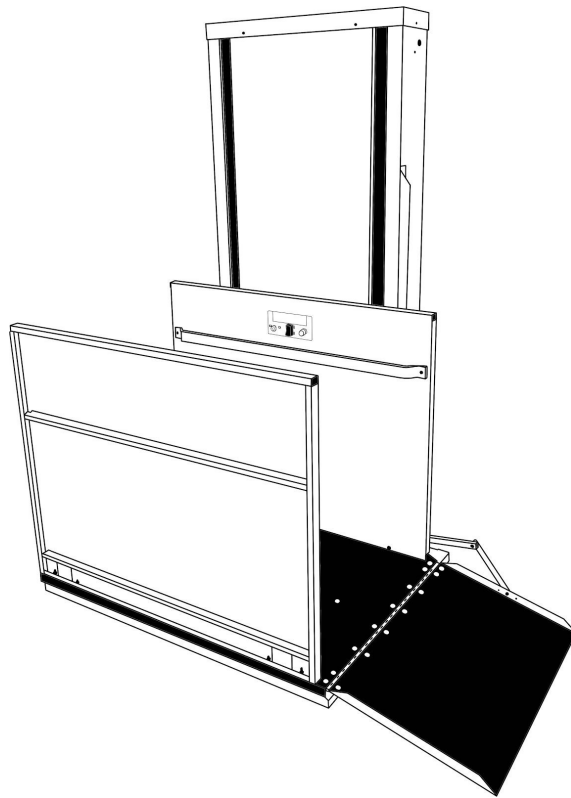
*Accessibility Solutions*

# **HERCULES DC VERTICAL PLATFORM LIFT**

---

## **INSTALLATION GUIDE**

Please read this installation guide carefully to ensure correct installation of your **HERCULES DC** Vertical Platform Lift.



**HERCULES DC  
RESIDENTIAL & COMMERCIAL**

Rev. March 18th, 2019

p/n: 999355-0018

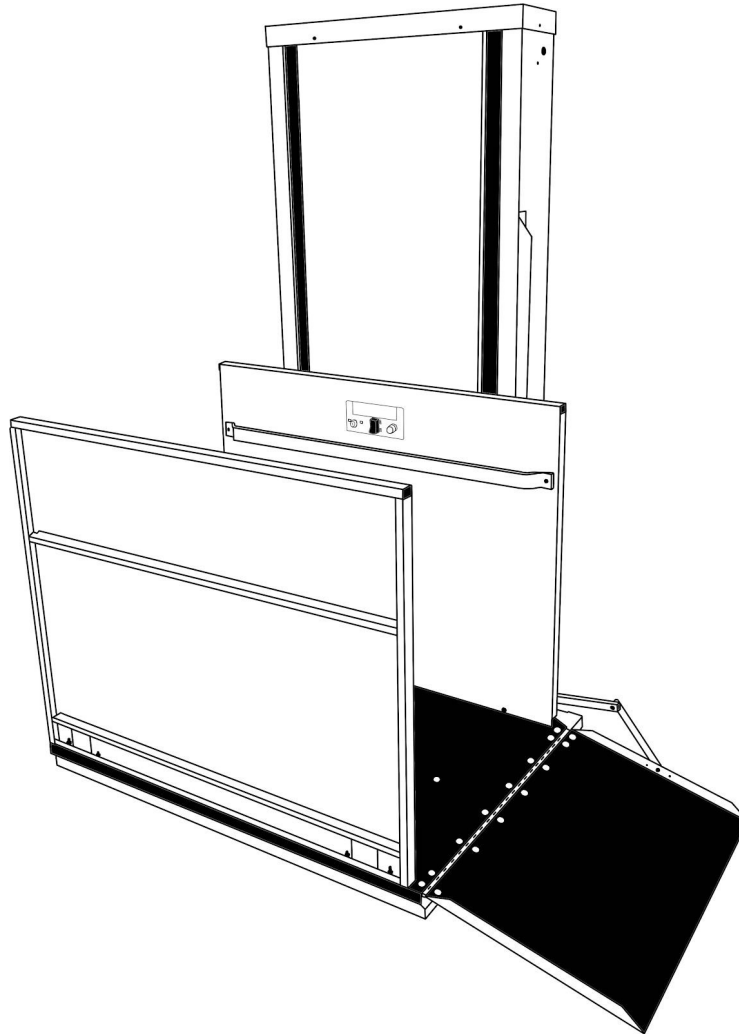
# AMERIGLIDE HERCULES DC VERTICAL PLATFORM LIFT

This manual describes how to install the AmeriGlide **HERCULES DC** Vertical Platform Lift.

The AmeriGlide **HERCULES DC** Vertical Platform Lift is a compact and powerful vertical platform lift that is designed for the harsh North American climates. The **HERCULES DC** model provides the user with a seamless and safe experience. A series of safety features including; emergency stop buttons, emergency lowering hand-wheel and detection safety sensors offer the peace of mind when operating the lift.

Refer to the AmeriGlide **HERCULES DC** Vertical Platform Lift Owner's Manual for details regarding operation and maintenance. The Owner's Manual can be found at:

<https://www.ameriglide.com/Vertical-Platform-Lifts.htm>



TECHNICAL SPECIFICATIONS	
Load Capacity	<b>750 LBS (340 KG) - 1000 LBS (454 KG)</b>
Rated Travel Speed	<b>12 FPM (0.07 M/S)</b>
Drive Type	<b>DIRECT ACME SCREW</b>
Motor	<b>1.5 HP 24 VDC (OPTIONAL 110VAC)</b>
Maximum Travel	<b>UP TO 160 INCHES (406.4 CM)</b>
Controls	<b>Constant Pressure Rocker Switch, E-Stop &amp; Key Lock</b>
Codes and Standards	<b>CSA B355 &amp; B613, ASME 17.1 &amp; ASME 18.1</b>

## DISCLAIMER

AMERIGLIDE, INC. shall not be held responsible or liable for any personal injury or property damage caused by or resulting from inappropriate operation of original product or of a product that has been modified or altered from the original **HERCULES DC** design. No person or company is authorized to change the **HERCULES DC** design without authorization and the express written consent of AMERIGLIDE, INC.

## IMPORTANT

Do not throw away, destroy, or lose this installation guide. The instructions included in this guide must be followed to prevent product malfunction, property damage, injury, or death to the user or other people. Incorrect operation due to ignoring instructions found in this guide can cause harm, damage, injury or death. A summary of safety precautions is found below.

For more technical materials such as drawings and specification, end user support, and manuals, visit [www.ameriglide.com](http://www.ameriglide.com)

## WARNING

Read all instructions contained in this installation guide before installing the AmeriGlide **HERCULES DC** Vertical Platform Lift. It is highly recommended to observe and adhere to all governing codes and ordinances in the job site locale. This includes ensuring all work and materials comply and conform with all authorities having jurisdictions. Proper installation is the responsibility of the installer and failure to follow all instructions renders the AmeriGlide Limited Warranty null and void.

## SAFETY PRECAUTIONS

Safety of personnel is the primary concern during all procedures. Before beginning installation, read and understand the installation guide and containing procedures carefully to ensure correct and safe installation. Use the appropriate tools and accessories during installation. Plan your work and do not work alone, if possible. Know how to obtain emergency medical and fire fighting assistance.

Be sure to follow all the precautions below as they are important for ensuring safety. This installation guide classifies the safety precautions into **DANGER, WARNING, CAUTION** and **NOTE**.

<b>▲ DANGER</b>	Indicates an imminently hazardous situation which, if not avoided, will result in death or serious injury.
<b>▲ WARNING</b>	Failure to follow any of WARNING is likely to result in such grave consequences as death or serious injury
<b>▲ CAUTION</b>	Failure to follow any of CAUTION may in some cases result in grave consequences.
<b>▲ NOTE</b>	Provides information such as reminders and guidelines and do not fit into the preceding text.

## IMPORTANT FOR THE INSTALLER

The AmeriGlide **HERCULES DC** Vertical Platform Lift shall be installed and serviced only by an authorized Les Escalateurs AmeriGlide, INC. dealer only. The authorized dealer should refer to this guide for installation and servicing. For maintenance, please refer to the **HERCULES DC** Vertical Platform Lift Owner's Manual.

Please carefully read and follow the instructions found in this guide **BEFORE** installing and/or operating the AmeriGlide **HERCULES DC** Vertical Platform Lift. Improper installation, adjustment, service, use or maintenance can cause personal injury or property damage. If you have any problems or need assistance please contact your dealer immediately.

## CODES AND REGULATIONS

Your **HERCULES DC** Vertical Platform Lift has been designed to meet CSA B613/B355 and ASME 18.1 standards. Code requirements and standards for vertical platform lifts vary depending on location and region. It is the installer's responsibility to contact their local code enforcement office and determine all of the regulations they are subject to. You must do this before installing the **HERCULES DC** Vertical Platform Lift.

## SITE REQUIREMENTS

The **HERCULES DC** must only be installed on an approved pad or floor that has adequate drainage and meets local codes, standards and regulations. In addition, there must be adequate lighting and pit lighting as well as sufficient headroom above the lift. Please refer to and verify with the Technical Drawings before beginning the install.

## ELECTRICAL REQUIREMENTS

The **HERCULES DC** Vertical Platform Lift requires a 110VAC-20 AMP or 110VAC-15 AMP grounded electrical circuit and a GFCI protected circuit. Depending on local codes and regulations, this connection may need to be routed in electrical conduit and hard-wired.

### ▲ WARNING

DO NOT OPERATE OR RIDE ON THE LIFT UNTIL IT HAS BEEN ANCHORED TO AN APPROVED PAD OR FLOOR.

## INSTALLATION SAFETY INSTRUCTIONS

### ▲ WARNING

To reduce the risk of fire, electric shock, personal injuries, and/or death, obey the following precautions:

- Never exceed the maximum rated lift capacity.
- Never use the AmeriGlide **HERCULES DC** Vertical Platform Lift to lift freight or other materials than intended by design.
- Read and understand the installation guide prior to installing the AmeriGlide **HERCULES DC** Vertical Platform Lift.
- Wear appropriate safety protection equipment for your head, eyes, hands and feet during all phases of the installation.
- Use extreme caution when lifting components into position to avoid personal injury and damage to the equipment.
- Keep panels and protective coverings in place to avoid potentially fatal injury.
- Disconnect power from the unit before performing any electrical or mechanical service operations.
- Never bypass sensor switches which prevent accidental start up when protective panels are removed.
- Be aware of the location of others in the work zone.
- Do not wear jewelry or loose clothing.
- Lock the wheels of any mobility device riding on the platform.
- Use only recommended anchor fasteners.
- Check and verify for applicable local codes and regulations.

### ▲ NOTE

Failure to comply the these Installation Safety Instructions could render the AmeriGlide Limited Warranty null and void. If you have any question or concerns that are not covered in this installation guide, please contact your dealer immediately.

## CONTENTS

<b>1.</b>	<b>BEFORE YOU GET STARTED</b> .....	5
<b>2.</b>	<b>HARDWARE LIST</b> .....	5
<b>3.</b>	<b>REMOVE SHIPPING BLOCKS &amp; FASTENERS</b> .....	5
<b>4.</b>	<b>HERCULES DC ASSEMBLY</b> .....	6
	4.1 MOUNT CAB SUPPORT LEGS TO CAR SLING .....	6
	4.2 UNDERPAN QUICK-CONNECTS (OPTIONAL INTERLOCK) .....	6
	4.3 ATTACH INTERIOR GUARD PANEL .....	6
	4.4 MOUNT EXTERIOR GUARD PANEL .....	7
	4.5 ATTACH SAFETY UNDERPAN .....	7
	4.6 ATTACH FOLDING RAMP ARM .....	8
<b>5.</b>	<b>HERCULES DC INSTALLATION</b> .....	8
	5.1 INSTALL PROTECTION WALL .....	8
	5.2 INSTALL UPPER LANDING GATE .....	8
	5.3 POSITION THE LIFT .....	9
	5.4 POWER UP THE LIFT .....	9
	5.5 INSTALL AND WIRE THE MOTOR .....	10
	5.6 CLEARANCE CHECK .....	11
	5.7 ANCHOR THE LIFT TO THE PAD OR FLOOR .....	11
	5.8 WIRE UPPER LANDING CALL STATION AND INTERLOCK .....	11
	5.9 INSTALL LOWER LANDING CALL STATION .....	12
	5.10 ADJUST LIMIT SWITCHES .....	12
	5.11 INSTALL MECHANICAL STOPS .....	12
	5.12 REINSTALL FRONT PANEL AND TOP COVER .....	13
<b>6.</b>	<b>BEFORE LEAVING THE JOB SITE</b> .....	13

# 1. BEFORE YOU GET STARTED CHECKLIST

1. Understand your client's intended use of the lift.
2. Determine the local code and regulations requirements.
3. Upon receipt of the **HERCULES DC** Vertical Platform Lift, verify the lift for shipping damage immediately. Report any discrepancies or damage claims to your dealer.
4. Verify site parameters, technical drawings and all preparatory work prior to installation.
5. Plan and prepare for all electrical requirements.

# 2. HARDWARE LIST

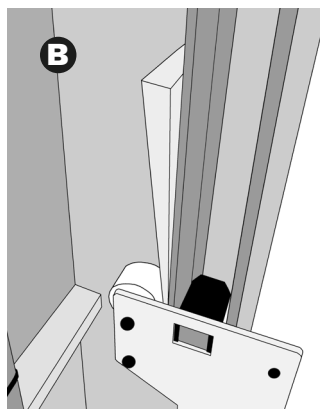
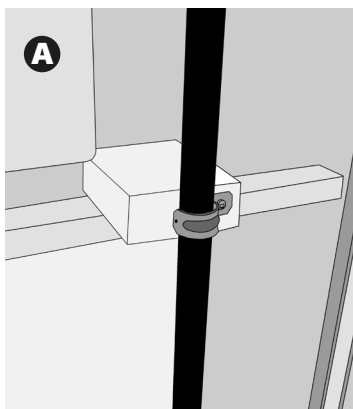
Before beginning installation, please inspect and check the box contents. Report any missing or damaged parts to your dealer. All **HERCULES DC** Vertical Platform Lifts come with a Standard Hardware Box. Unassembled units will contain additional hardware. If ordered, your lift will also come with an additional box containing the AmeriGlide Installation Kit.

HERCULES DC INSTALLATION KIT		UNASSEMBLED HERCULES DC KIT (+ HARDWARE KIT)	
<b>HERCULES DC KIT</b>		<b>SAFETY UNDERPAN</b>	
2	Mechanical Stops	4	Hex Bolts (1/4"-20 x 1 1/2")
6	Anchor Bolts (3/8" X 3 3/4")	<b>INTERIOR GUARD PANEL HARDWARE</b>	
4	Hole Plugs (7/8")	10	Hex Bolts (1/4"-20 x 1 1/2")
4	Phillips Screws (10/24" X 1/2")	10	Hex Bolts (1/4"-20 x 3/4")
2	Flat Angle Brackets	<b>EXTERIOR GUARD PANEL HARDWARE</b>	
<b>HERCULES DC DOCUMENTATION</b>		4	Hex Bolts (3/8" X 1 1/2")
1	Gray Envelope (Contains <b>HERCULES DC</b> labels)	18	18 Flat Washers (3/8")
1	Yellow Envelope (Contains <b>HERCULES DC</b> Installation Guide and Owner's Manual)	4	Nylon Nuts (3/8")
<b>FOLDING RAMP</b>		<b>AMERIGLIDE INSTALLATION KIT (OPTIONAL)</b>	
10	Carriage bolts (1/4"-20 x 5/8")	1	Round Bipolar Plug
10	Split Lock Washers (1/4")	5	90° Connectors
10	Hex Nuts (1/4")	20	Aluminum Shims
<b>1 EMERGENCY LOWERING WHEEL</b>		20	Flat Head Wood Screws (1/4" x 1 1/4")
		5	Tapcons (3/16" x 1 3/4")
		1	15' 16G Black Cable/3 Contacts and 4 End Connectors
		1	25' 18G Gray Cable/3 Contacts
		1	25' 18G Gray Cable/7 Contacts
		1	20' Flexible Gray PVC Hose

# 3. REMOVE SHIPPING BLOCKS & FASTENERS

Your **HERCULES DC** lift is shipped with load securing blocks and fasteners. Before beginning installation or operating the **HERCULES DC**, remove the wooden block (A) and shims (B) located inside of the tower.

▲ Remove the tower front panel cover to gain access to the inside of the tower.



## 4. HERCULES DC ASSEMBLY

### MATERIALS:

- Upright Support Legs With 6 Hex Bolts and Nuts
- Interior and Exterior Panel Guards
- Folding Ramp and Carriage bolt
- Safety Underpan
- Hardware (Contains 3 hardware bags; Interior Panel Guard, Exterior Panel Guard and Safety Underpan).

### ▲ DANGER

Ensure that the HERCULES DC Vertical Platform Lift power supply has been connected as the assembly requires the platform to be raised.

Your **HERCULES DC** lift is shipped with load securing blocks and fasteners. Before beginning installation or operating the **HERCULES DC**, remove the wooden block and shims located inside of the tower.

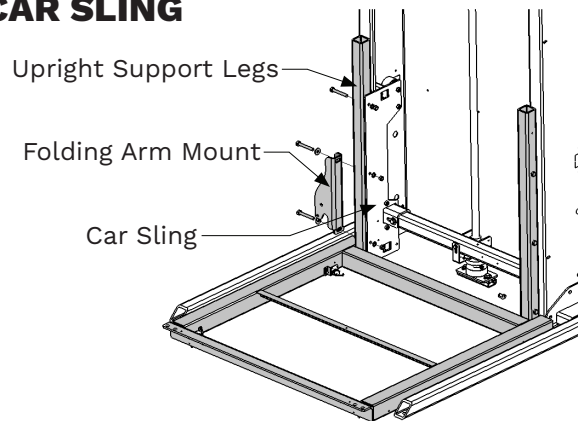
### 4.1 MOUNT CAB SUPPORT LEGS TO CAR SLING

#### MATERIALS

Hardware is already attached to the Upright Support Legs, keep the same bolt order and configuration when installing.

#### INSTALL

1. Align the Upright Support Legs with the Car Sling.
2. Align the Car Sling mounting holes with those of the Upright Support Legs.
3. Using the same bolt configuration, attach together the Upright Support Legs & Folding Ramp Mount with the Car Sling.



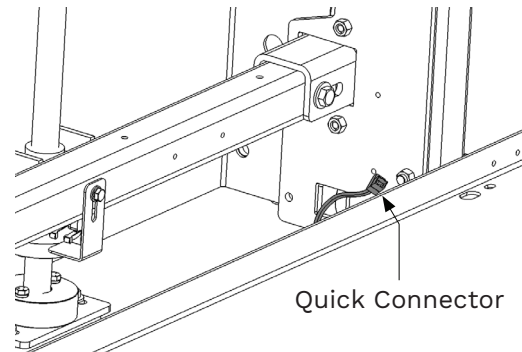
### 4.2 UNDERPAN QUICK-CONNECTS (OPTIONAL INTERLOCK)

#### INSTALL

1. Cut the zip ties on each micro switch (attached in the four inner corners of the carriage).
2. Connect the Underpan's 2- PIN Quick-connect.
3. Connect the Interlock 4 - Pin Quick-connect (if applicable)

### ▲ NOTE

Ensure to connect the 2-pin Quick-connect (Some models come with an additional 4-pin Quick-connect for the interlock).



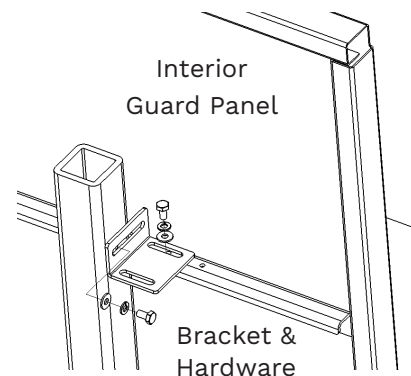
### 4.3 ATTACH INTERIOR GUARD PANEL

#### MATERIALS

- 2 Angled Brackets
- 2 Hex Bolts (1/4"-20 x 3/4")
- 2 Flat Washers (1/4")
- 2 Split Lock Washers (1/4")

#### INSTALL

Fasten the Interior Panel to each Upper Leg Support using 2 Hex Bolts (1/4"-20 x 3/4") with 2 Split Lock Washers (1/4") and Flat Washers (1/4")



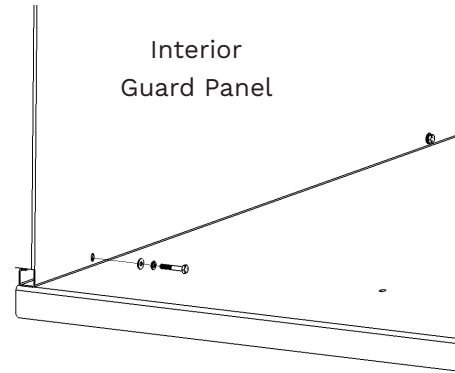
## (ATTACH INTERIOR GUARD PANEL CONT.)

### MATERIALS

- 2 Hex Bolts (1/4"-20 x 1 1/2")
- 2 Flat Washers (1/4")
- 2 Split Lock Washers (1/4")
- 2 Domed Capped Nuts

### INSTALL

Align Interior Guard Panel bottom and attach using 2 Hex Bolts (1/4"-20 x 1 1/2") with 2 Split Lock Washers (1/4"), 2 Flat Washers (1/4") and 2 Domed Capped Nuts.



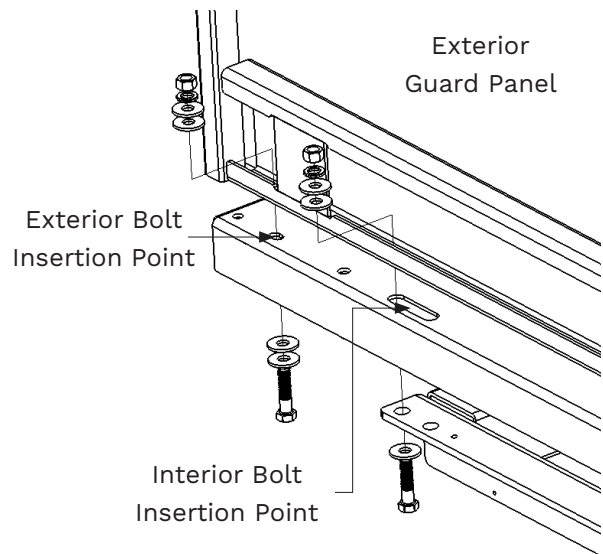
## 4.4 MOUNT EXTERIOR GUARD PANEL

### MATERIALS

- 4 Hex Bolts (3/8" X 1 1/2")
- 18 Flat Washers (3/8")
- 4 Split Lock Washers (1/4")
- 4 Nylon Nuts (3/8")

### INSTALL

1. Using 1 Hex Bolt (3/8" X 1 1/2"), 4 Flat Washers (3/8"), 1 Split Lock Washer (1/4") and 1 Nylon Nut (3/8") attach the Exterior Guard Panel at the Exterior Bolt Insertion Point.
2. Using 1 Hex Bolt (3/8" X 1 1/2"), 3 Flat Washers (3/8"), 1 Split Lock Washer (1/4") and 1 Nylon Nut (3/8") attach the Exterior Guard Panel at the Interior Bolt Insertion Point.
3. Repeat steps 1 & 2 on the other side of the Exterior Guard Panel.



### ▲ CAUTION

Keep the same hardware configuration as shown in the image.

### ▲ IMPORTANT

For anti-corrosion models, use 3 flat washers on top and 4 below.

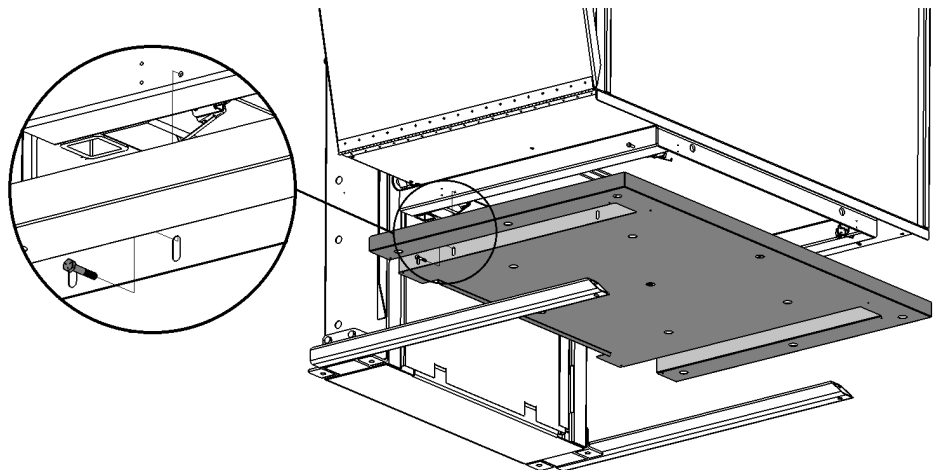
## 4.5 ATTACH SAFETY UNDERPAN

### MATERIALS

- 4 Hex Bolts (1/4"-20 x 1 1/2")

### INSTALL

Attach one side of the Safety Underpan using 2 Hex Bolts (1/4"-20 x 1 1/2"). Repeat this step on the other side of the Safety Underpan.



## 4.6 ATTACH FOLDING RAMP ARM

### MATERIALS

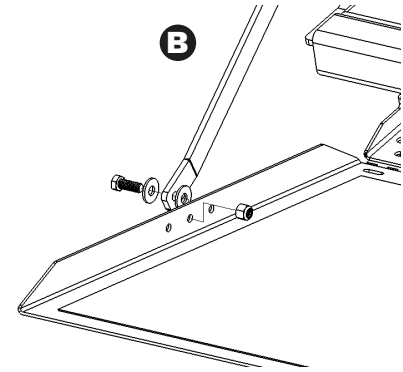
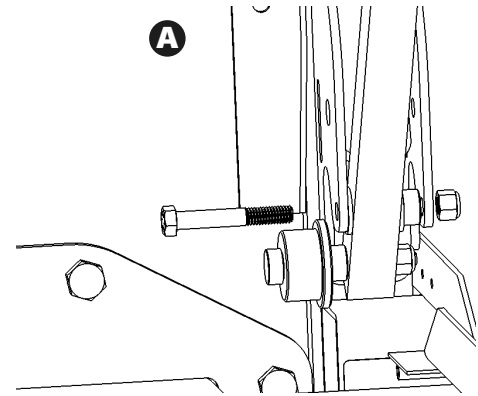
- Folding Ramp Kit
- 1 Hex Bolt (3/8" X 2 1/2")
- 1 Hex Bolt (3/8" X 1")
- 4 Flat Washers (3/8")
- 1 Spacer
- 2 Nylon Nuts (3/8")

### ▲ CAUTION

Keep the same hardware configuration as shown in the image.

### INSTALL

1. Attach Folding Ramp to Piano Hinge using Carriage Bolts, Split Washers and Nuts located in the Folding Ramp Kit.
2. Locate and loosen Folding Ramp Arm (It is tightened for shipping).
3. Unscrew Folding Ramp Arm bolt from the Folding Arm. **A**
4. Using 1 Hex Bolt (3/8" X 2 1/2"), 2 Flat Washers (3/8"), 1 Spacer and 1 Nylon Nut (3/8") attach the base of the Folding Arm to the platform.
5. Using 1 Hex Bolt (3/8" X 1"), 2 Flat Washers (3/8"), and 1 Nylon Nut (3/8") attach the Folding Arm to the Folding Ramp. **B**



## 5. HERCULES DC INSTALLATION

### 5.1 INSTALL PROTECTION WALL

#### MATERIALS

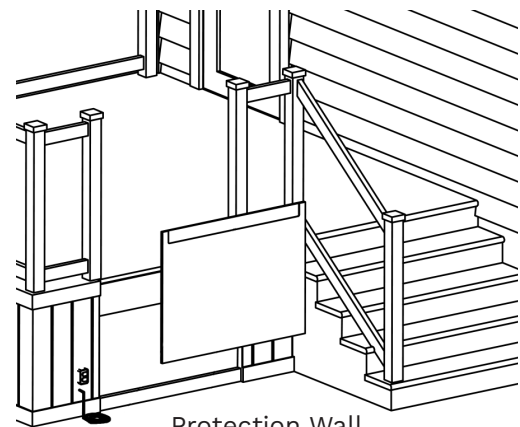
- Protection Wall (Provided by Contractor)

### ▲ DANGER

The area between the floor (where the lift is anchored) and the top landing must be covered with a Protection Wall. This is done to eliminate any pinch points and shearing hazards.

#### INSTALL

1. Ensure the Protection Wall is the same width as the Upper Landing threshold.
2. Level the Protection Wall and fasten into place.
3. Make a pocket cut with a router at the top of the Protection Wall to allow the Upper Landing sill to sit flush when installed.



Protection Wall

### 5.2 INSTALL UPPER LANDING GATE

#### MATERIALS

- Landing Gate
- 18 - Wood Screw, Flat, #12
- Shims (If necessary)

### ▲ NOTE

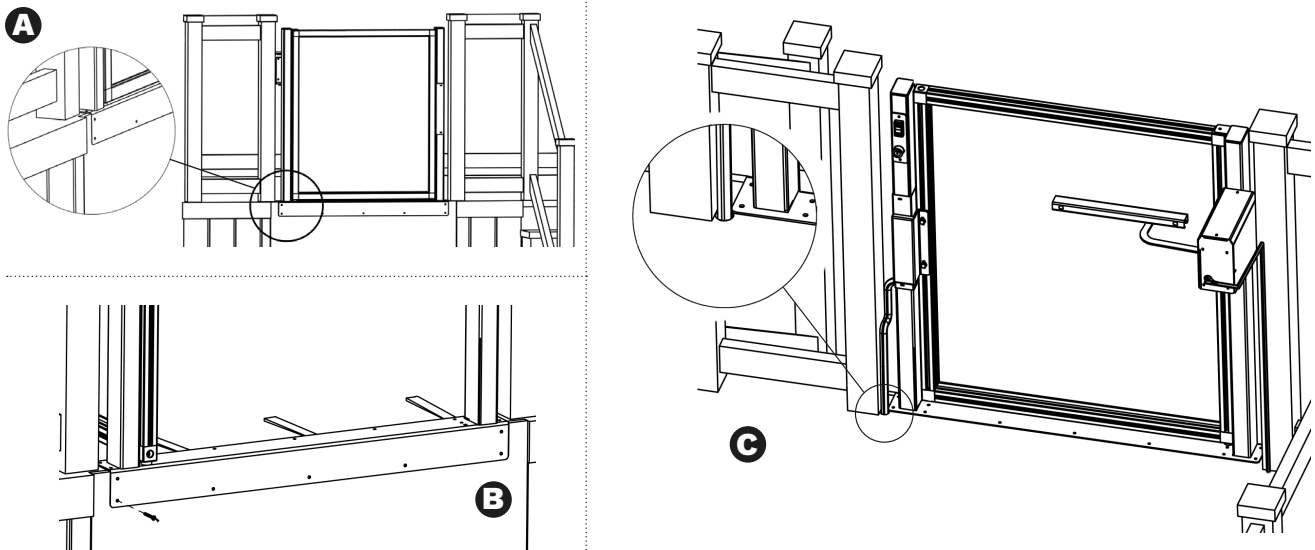
If included, bore a 1-inch hole into the floor on the Gate Operator side of the Upper Landing Gate. Refer to "Optional Gate Operator" on page 14 for full installation instructions.

#### INSTALL

1. Place the Upper Landing Gate into position. Ensure the sill angle bracket rests flush with the foundation **A**.
2. Use a #12 Wood Screw to temporarily fasten Upper Landing Gate into place.
3. Level the hinge-side of gate upright and use #12 screws to fasten into place.
4. Using a #12 Wooden Screw, temporarily fasten the latch side of the gate into place.
5. Level the latch-side upright and use #12 Wooden Screws to fasten firmly into place **B**.
6. Level the platform (use shims if necessary) and fasten #12 Wood Screws into the remaining holes on the sill angle bracket (Fig 3).
7. Drill a 1-inch hole into the floor on the Interlock side for Call Station and Interlock wiring **C**.



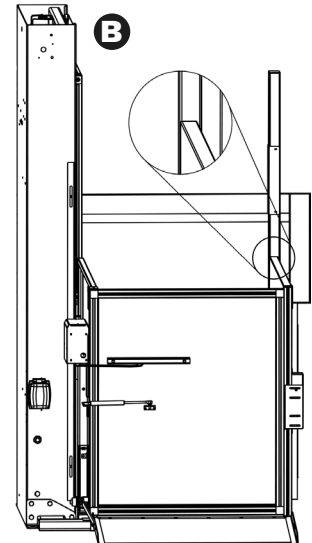
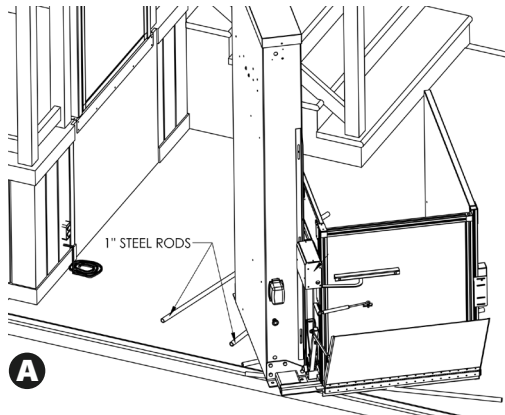
**(INSTALL UPPER LANDING GATE CONT.)**



**5.3 POSITION THE LIFT**

**INSTALL**

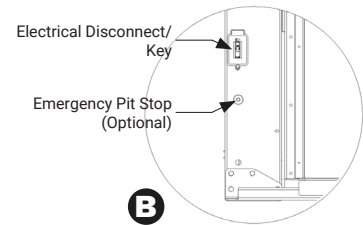
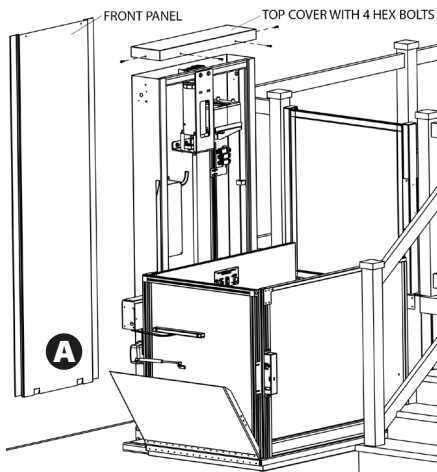
1. Lay 1-inch steel rods into position.
2. Roll the lift onto steel rods **A**.
3. Using the pry bar, gently maneuver the lift to the proper orientation for the cab type.
4. Slide the lift into position using the steel rods as rollers. Align the lift with Upper Landing Gate **B**.



**5.4 POWER UP THE LIFT**

**PROCEDURE**

1. Remove the top cover and front panel by unscrewing 4 Hex Bolts. **A**
2. Locate the HERCULES DC Vertical Platform lift power cord at the base of the tower.
3. Connect the lift's power cord to the 110V-20 AMP power supply.
4. Power on the lift via the load break switch. **B**
5. Pull the pit emergency stop button.



**▲ NOTE**

If included, the Installation Kit will contain all required hardware and material to connect the HERCULES DC Vertical Platform Lift to the power supply.

# 5.5 INSTALL AND WIRE THE MOTOR

## PROCEDURE

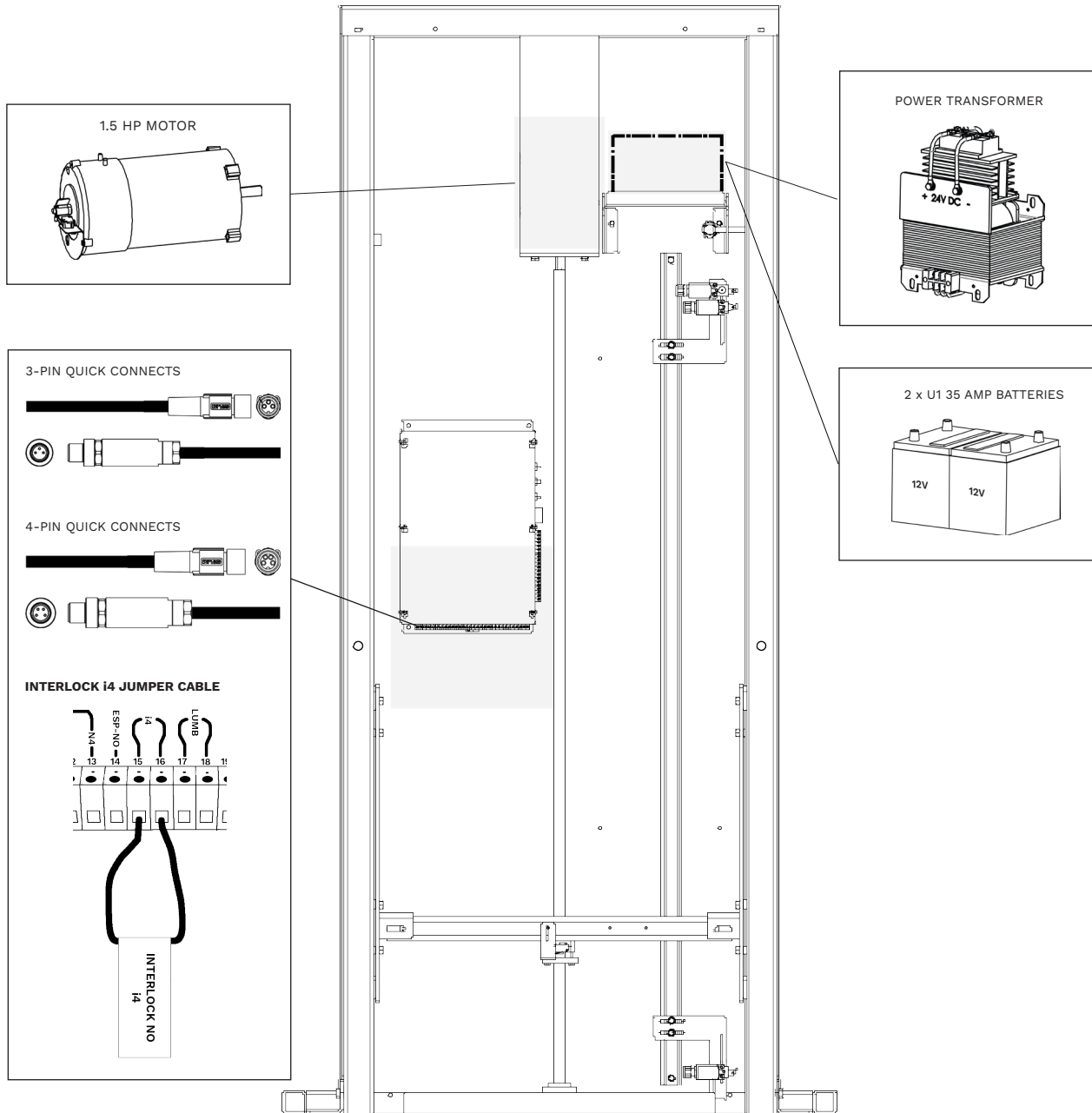
The HERCULES DC Controller is equipped with Quick Connectors, 2 x 3-Pin (One for each Call Station) and 1x 4-Pin (Upper Landing Interlock). Install and wire the motor and batteries **according to the provided Electrical Diagram(s)**.

### ⚠ DANGER

Follow the provided Electrical Diagrams when wiring the lift.

### ⚠ NOTE

The Power Transformer is only found on the HERCULES AC Models.



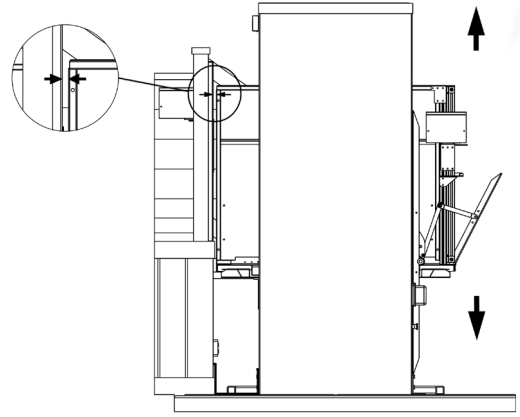
## 5.6 CLEARANCE CHECK

### PROCEDURE

Complete a travel check to verify landing edge and running clearance as per Technical Documents and identify potential interferences and shearing hazards.

#### ⚠ DANGER

It is critical to recognize and address potential interferences and shearing hazards **before continuing with the installation.**



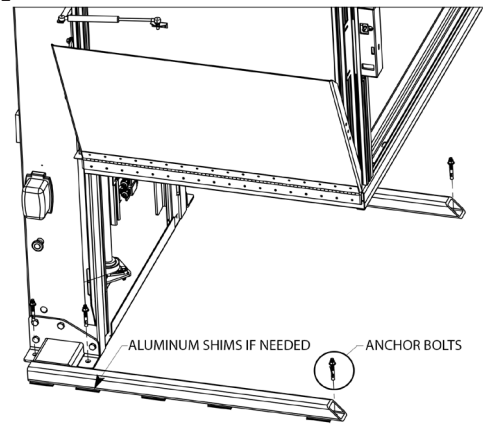
## 5.7 ANCHOR THE LIFT TO THE PAD OR FLOOR

### MATERIALS

- 3/8" Concrete Drill Bit
- 6 Anchor Bolts
- Aluminum Shims
- Pry Bar

### INSTALL

1. Position the lift into its final location.
2. Verify that the lift is positioned properly and according to the site's drawing plan. Verify that the lift is level and shim if necessary.
3. Drill 6 holes into the floor/pad, using the lift's anchor points as a template.
4. Verify that the drilled holes are proper size to accept the Floor Anchors.
5. Drive anchors into the foundation.
6. Secure the lift in place by tightening the Floor Anchor bolts to 25ft-lb



#### ⚠ WARNING

Dust or debris may have settled into the freshly drilled holes. Clean out the holes to ensure the Floor Anchors set correctly.

#### ⚠ CAUTION

Verify the maximum landing clearance between the platform and the protection wall. In Canada - HERCULES DC B613(RESIDENTIAL) : maximum clearance of 1" and HERCULES DC B355 (COMMERCIAL) : maximum clearance of 1/2" . In the USA shall not be less than 0.375" (10mm) nor more than 0.75" (20mm)

## 5.8 WIRE UPPER LANDING CALL STATION AND INTERLOCK

### INSTALL

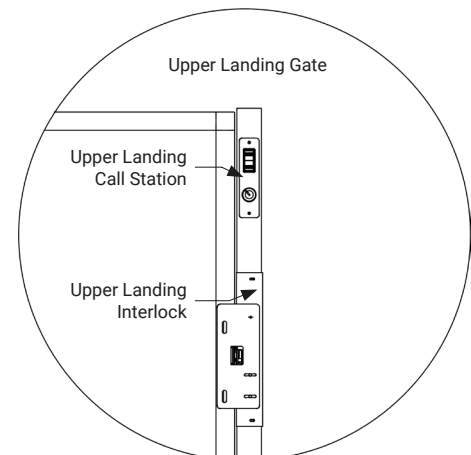
1. Unravel the wiring from the Upper Gate and thread the wiring through the tubing, run the wire and tubing to the Tower Controller.
2. Connect the Call Station (and Interlock if applicable) to the Tower Control using the appropriate Quick Connects (3-PIN for the Call Station and 4-PIN for the Upper Interlock).
3. **REMOVE THE INTERLOCK NO i4 JUMPER CABLE ON THE TOWER CONTROLLER. REFER TO THE PREVIOUS PAGE.**

#### ⚠ DANGER

It is **VERY IMPORTANT** to remove the jumper cable labeled **INTERLOCK NO i4** before proceeding with the installation

#### ⚠ DANGER

3-PIN quick connect is for the Call Station and the 4-PIN quick connect is for the interlock.



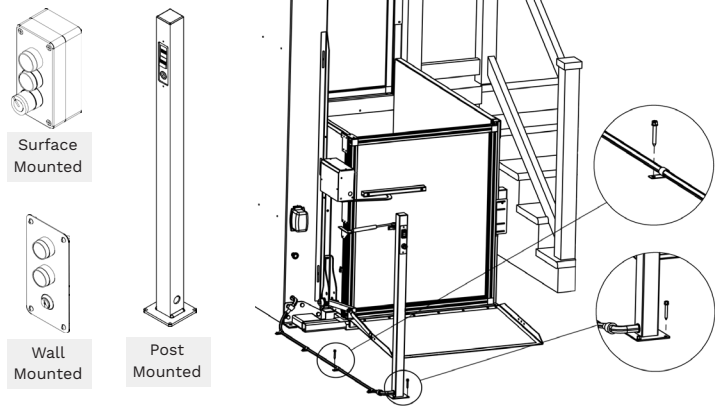
## 5.9 INSTALL LOWER LANDING CALL STATION

### MATERIALS

- Lower Landing Call Station
- 4 Tapcons 1/4 inch X 1 3/4 inch (If applicable)

### INSTALL

1. Wire according to the provided Electrical Diagram(s).
2. Mount or fix the Call Station to the floor or pad with 4 Tapcons when applicable.
3. The Lower Landing Call Station wires must be protected and/or anchored to the ground or buried.



### ▲ DANGER

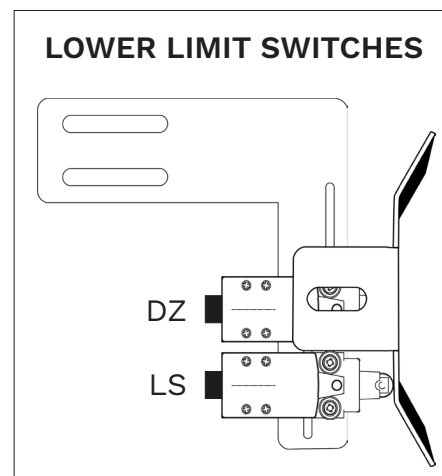
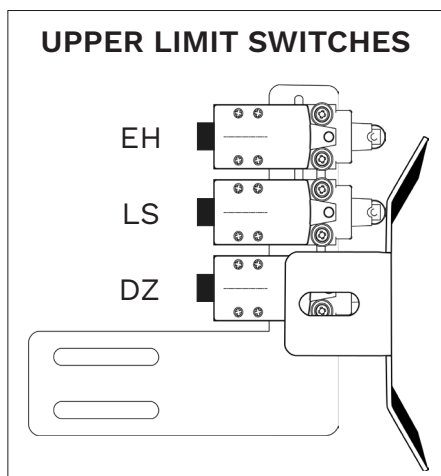
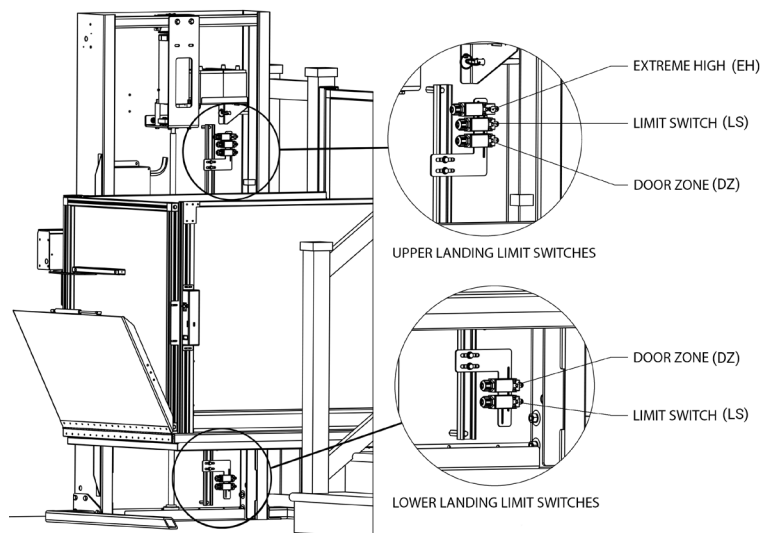
In the event that the Lower Landing requires a custom door or the door is being providing by an installer/client, Remove the Jumper Cable (CN16, 15-16) on the Cab COP 16-PIN Terminal Block (**NOT ON THE TOWER CONTROLLER**).

## 5.10 ADJUST LIMIT SWITCHES

### INSTALL

Adjust the upper and lower limit switches.

1. Run the lift in the up direction until the platform is level with the upper landing.
2. Disconnect the lift's power.
3. Loosen the hex bolts that attaches the flat angle bracket to the track.
4. Adjust the Upper Landing Limit Switch until it comes in contact with the lift's cam. **Ensure that the Limit Switch is fully pushed in by the cam and the bracket doesn't move when the cam comes in contact.**
5. The Lower Landing Limit Switch may need adjustment. **Ensure that the lift stops before the Underpan comes in contact with the ground.**



The Upper and Lower Landing switches must respect the following sequence as the lift travels toward a landing:

1. Activation of the Door Zone (DZ) Switch thus unlocking the gate/door.
2. Activation of either the Upper or Lower Landing Limit Switch (LS).

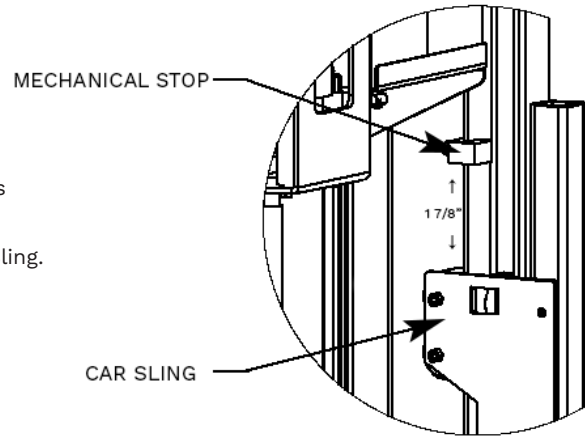
## 5.11 INSTALL MECHANICAL STOPS

### MATERIALS

- 2 Mechanical Stops

### INSTALL

1. Raise the platform to the Upper Landing and disconnect the lift's power.
2. Install the Mechanical Stop onto the track 1 7/8" above the Car Sling.
3. Fasten Hex Bolt tightly and then tighten the Lock Nut.
4. Repeat Steps 3 and 4 for the second Mechanical Stop on the opposite rail.



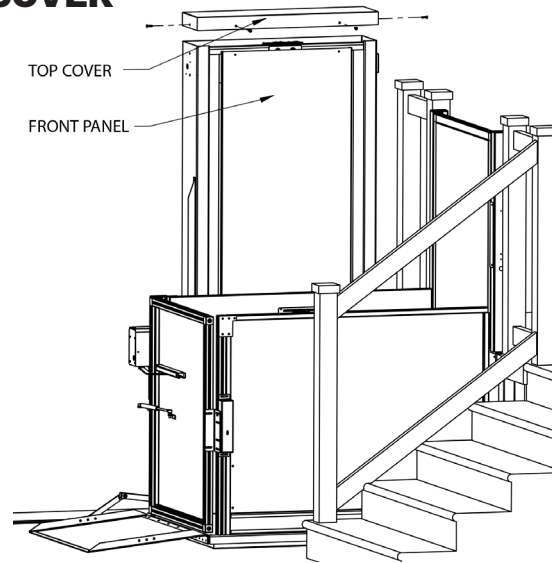
## 5.12 REINSTALL FRONT PANEL AND TOP COVER

### INSTALL

1. Place Front Panel and Top Cover into position. Be careful to **NOT** damage the Underpan Flat cable and the Interlock wire at the bottom when lowering the Front Panel.
2. Using 4 x Screws, fasten both the Front Panel and Top Cover.

#### **▲ DANGER**

Be careful to **NOT** damage the Underpan Flat cable and the Interlock wire at the bottom when lowering the Front Panel.



## 6. BEFORE LEAVING THE JOB SITE

Before leaving the job site, make sure to explain in full detail the operation of the elevator to the customer.

### PROCEDURE

1. Clean the work site.
2. Make sure all hardware has been tightened to specifications.
3. Explain the safe operation of the elevator and emergency procedures to the operator and owner.
4. Assist the operator and owner on an orientation ride.
5. Write the Serial Number and record all required details per the Owner's Manual.
6. Provide the copy of the Owner's Manual and Warranty to the owner.
7. Record all required details per the Owner's Manual.