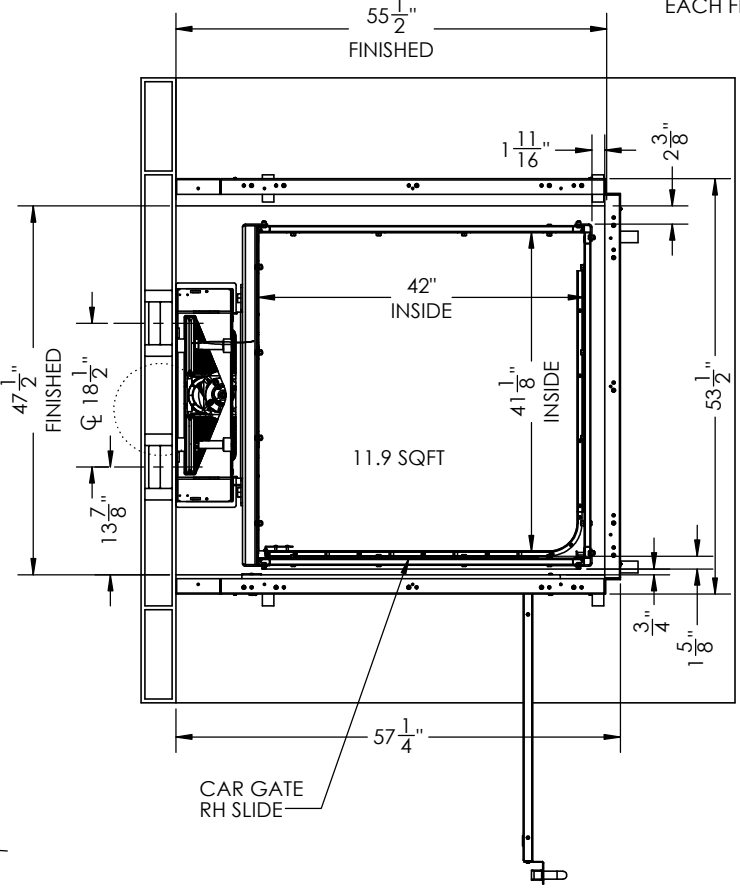


ALUMINUM AND ACRYLIC ENCLOSURE

DOUBLE 2X6 WITH 2X4 ON EACH SIDE-FLOOR TO CEILING AT EACH FLOOR

ANCHOR LOCATIONS



DETAIL A  
SCALE 1 : 4

- Battery Powered: 24 VDC Control System
- Rated Load: 500 lbs
- Speed: 15 fpm
- Max. Travel: 21'-0"
- Winding Drum Drive with dual 1/4" aircraft cables
- Automatic up/down controls
- Key Lock on controls
- Emergency Stop Switch and Alarm
- Recessed Automatic LED Car Light
- Status LED Indicator
- Door Position switch on Sliding Car Door
- Slack Cable Safety Device with Switch
- Final Limit Switches

SECTION A-A  
SCALE 1 : 16

DESIGNED TO COMPLY WITH ASME A17.1 PART 5.3 WHEN PROPERLY INSTALLED

SPECIFICATIONS AND DIMENSIONS SUBJECT TO CHANGE WITHOUT NOTICE

**PROPRIETARY AND CONFIDENTIAL**  
THE INFORMATION CONTAINED IN THIS DRAWING IS THE SOLE PROPERTY OF STAYING HOME CORPORATION. ANY REPRODUCTION IN PART OR AS A WHOLE WITHOUT THE WRITTEN PERMISSION OF STAYING HOME CORPORATION IS PROHIBITED.

UNLESS OTHERWISE SPECIFIED:		NAME	DATE
DIMENSIONS ARE IN INCHES			7/16/2019
TOLERANCES:		DRAWN	
FRACTIONAL: ±1/16		CHECKED	
ANGULAR: ±0.5°		ENG APPR.	
ONE PLACE DECIMAL ±0.1		MFG APPR.	
TWO PLACE DECIMAL ±0.01		Q.A.	
THREE PLACE DECIMAL ±0.005		PROJECT:	
INTERPRET GEOMETRIC TOLERANCING PER:			
MATERIAL			
FINISH			
DO NOT SCALE DRAWING			

<b>CREST</b>	
TITLE: EZ6 LEFT ENTRY, RH CAR DOOR INSIDE SHC ENCLOSURE	
SIZE B	DWG. NO. TYP - EZ6L-A-RH
SCALE: 1:96	WEIGHT: SHEET 1 OF 1