

**Features:**

- Battery Powered: 24 VDC Control System
- Rated Load: 400 lbs
- Speed: 15-18 fpm
- Max. Travel: 21'-0"
- Car Size: 33W x 39D x 75H
- Overhead Clearance: 7'-2" Min.
- Powder Coated Metal: Gray White
- Vision Panels: Clear Acrylic
- Car Light: Recessed LED
- Telephone: Inside Telephone Cabinet
- Automatic operation
- Key Lock on controls
- Emergency Stop Switch and Alarm
- Status LED
- Winding Drum Drive with two 1/4" aircraft cables
- Electromechanical Interlock on Doors
- Car Gate monitor
- Grab Rail
- Slack Cable Safety Device
- Final Limit Switches

UNLESS OTHERWISE SPECIFIED:		NAME	DATE
DIMENSIONS ARE IN INCHES			8/8/2016
TOLERANCES:			
FRACTIONAL: ±1/16			
ANGULAR: ±0.5°			
ONE PLACE DECIMAL ±0.1			
TWO PLACE DECIMAL ±0.01			
THREE PLACE DECIMAL ±0.005			
INTERPRET GEOMETRIC TOLERANCING PER:			
MATERIAL			
FINISH			
DO NOT SCALE DRAWING			

**PROPRIETARY AND CONFIDENTIAL**  
 THE INFORMATION CONTAINED IN THIS DRAWING IS THE SOLE PROPERTY OF STAYING HOME CORPORATION. ANY REPRODUCTION IN PART OR AS A WHOLE WITHOUT THE WRITTEN PERMISSION OF STAYING HOME CORPORATION IS PROHIBITED.

TITLE: EZ5R RIGHT SIDE ENTRY INSIDE SHC ENCLOSURE		
SIZE B	DWG. NO. TYP - EZ5R-A	REV A
SCALE: 1:64		WEIGHT: SHEET 1 OF 4

SECTION A-A

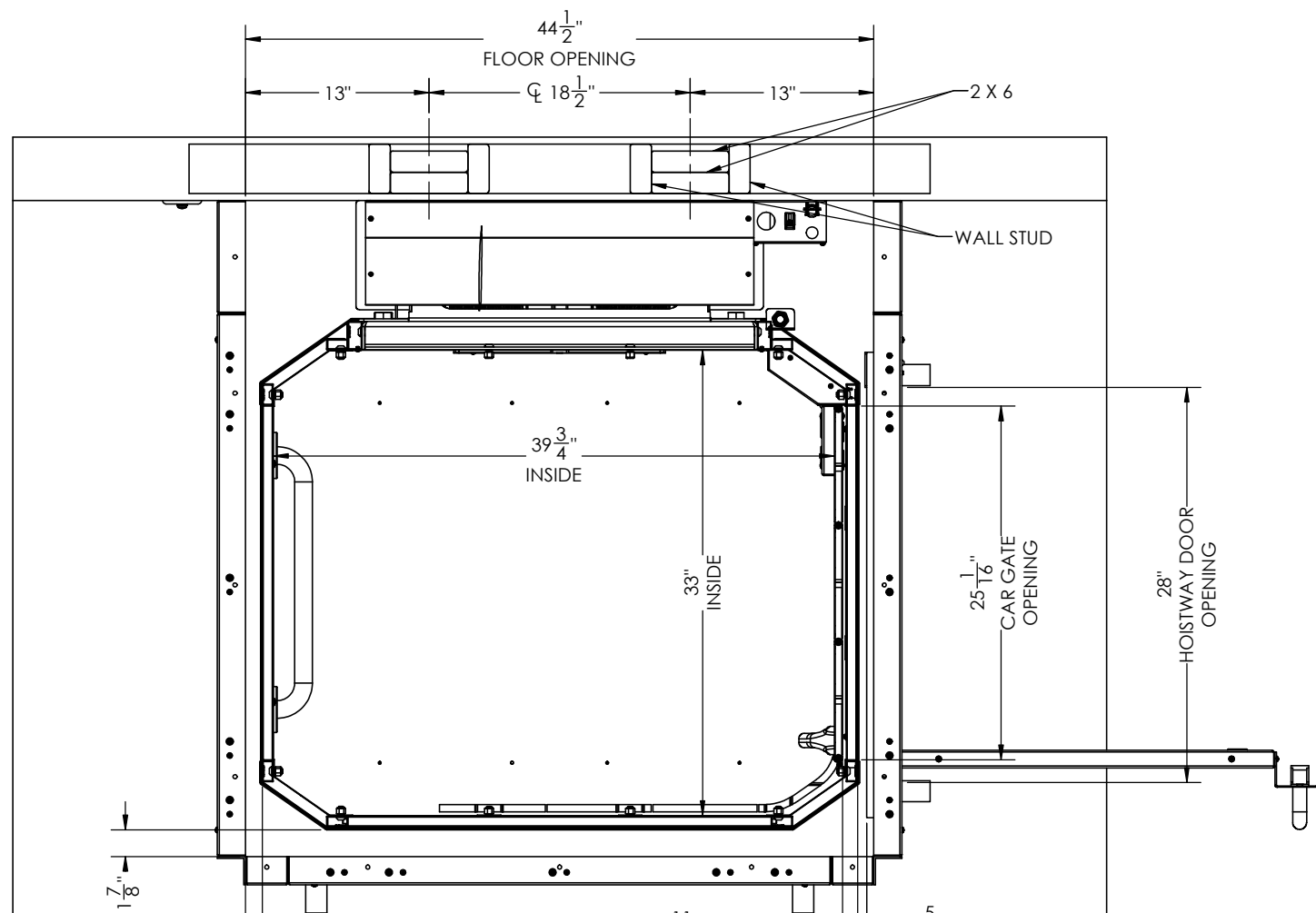
8 7 6 5 4 3 2 1

D

C

B

A



1 7/8"

1 3/16"

1 11/16"  
HOISTWAY DOOR  
TO CAR GATE

UNLESS OTHERWISE SPECIFIED:

DIMENSIONS ARE IN INCHES  
TOLERANCES:  
FRACTIONAL: ±1/16  
ANGULAR: ±0.5°  
ONE PLACE DECIMAL ±0.1  
TWO PLACE DECIMAL ±0.01  
THREE PLACE DECIMAL ±0.005

INTERPRET GEOMETRIC TOLERANCING PER:

MATERIAL

FINISH

DO NOT SCALE DRAWING

NAME

DATE

DRAWN

CHECKED

ENG APPR.

MFG APPR.

Q.A.

COMMENTS:

8/8/2016



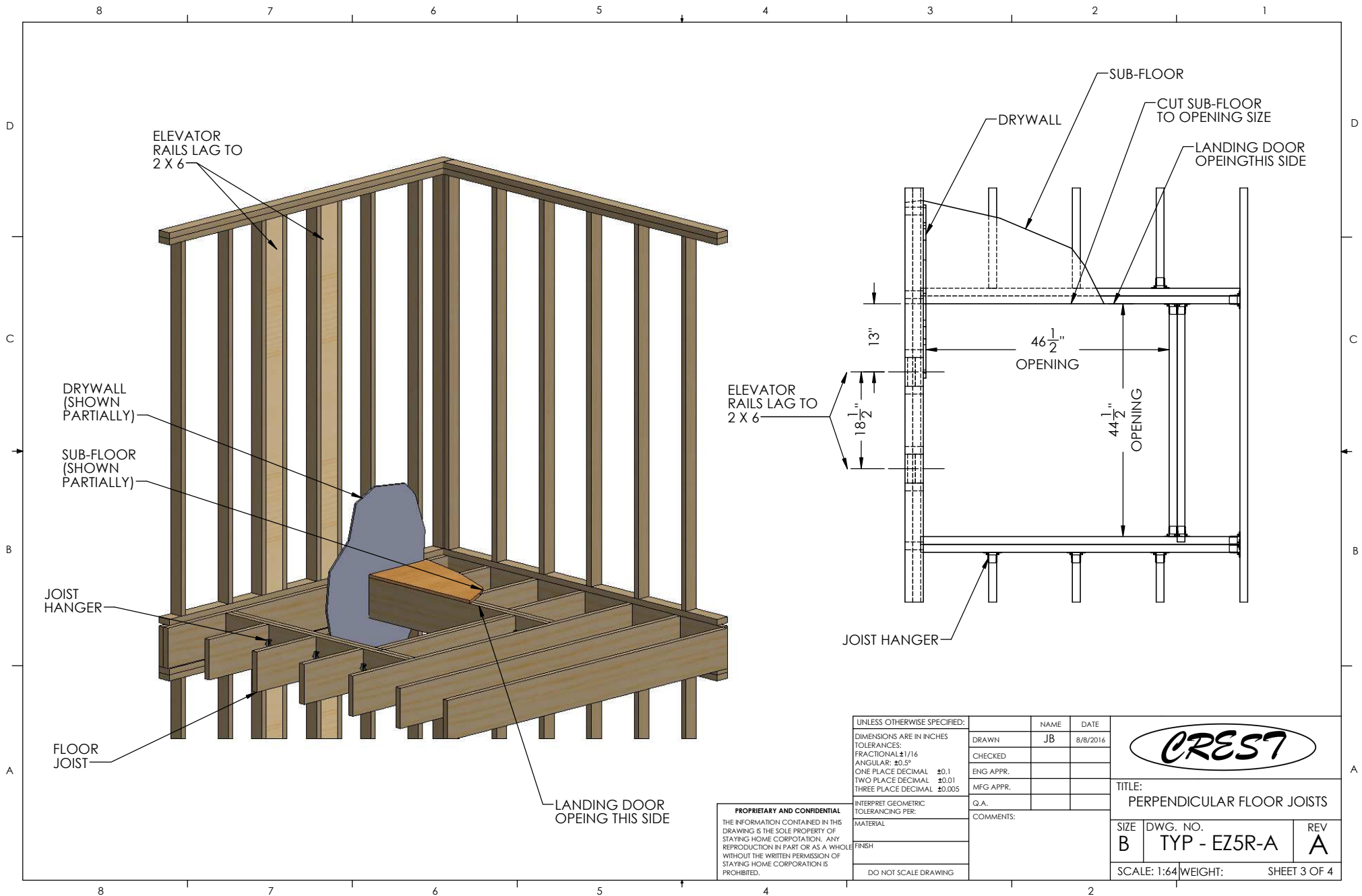
TITLE:  
EZ5R RIGHT SIDE ENTRY INSIDE  
SHC ENCLOSURE

SIZE	DWG. NO.	REV
B	TYP - EZ5R-A	A

SCALE: 1:64 WEIGHT: SHEET 2 OF 4

**PROPRIETARY AND CONFIDENTIAL**  
THE INFORMATION CONTAINED IN THIS DRAWING IS THE SOLE PROPERTY OF STAYING HOME CORPORATION. ANY REPRODUCTION IN PART OR AS A WHOLE WITHOUT THE WRITTEN PERMISSION OF STAYING HOME CORPORATION IS PROHIBITED.

8 7 6 5 4 3 2 1



**PROPRIETARY AND CONFIDENTIAL**  
 THE INFORMATION CONTAINED IN THIS DRAWING IS THE SOLE PROPERTY OF STAYING HOME CORPORATION. ANY REPRODUCTION IN PART OR AS A WHOLE WITHOUT THE WRITTEN PERMISSION OF STAYING HOME CORPORATION IS PROHIBITED.

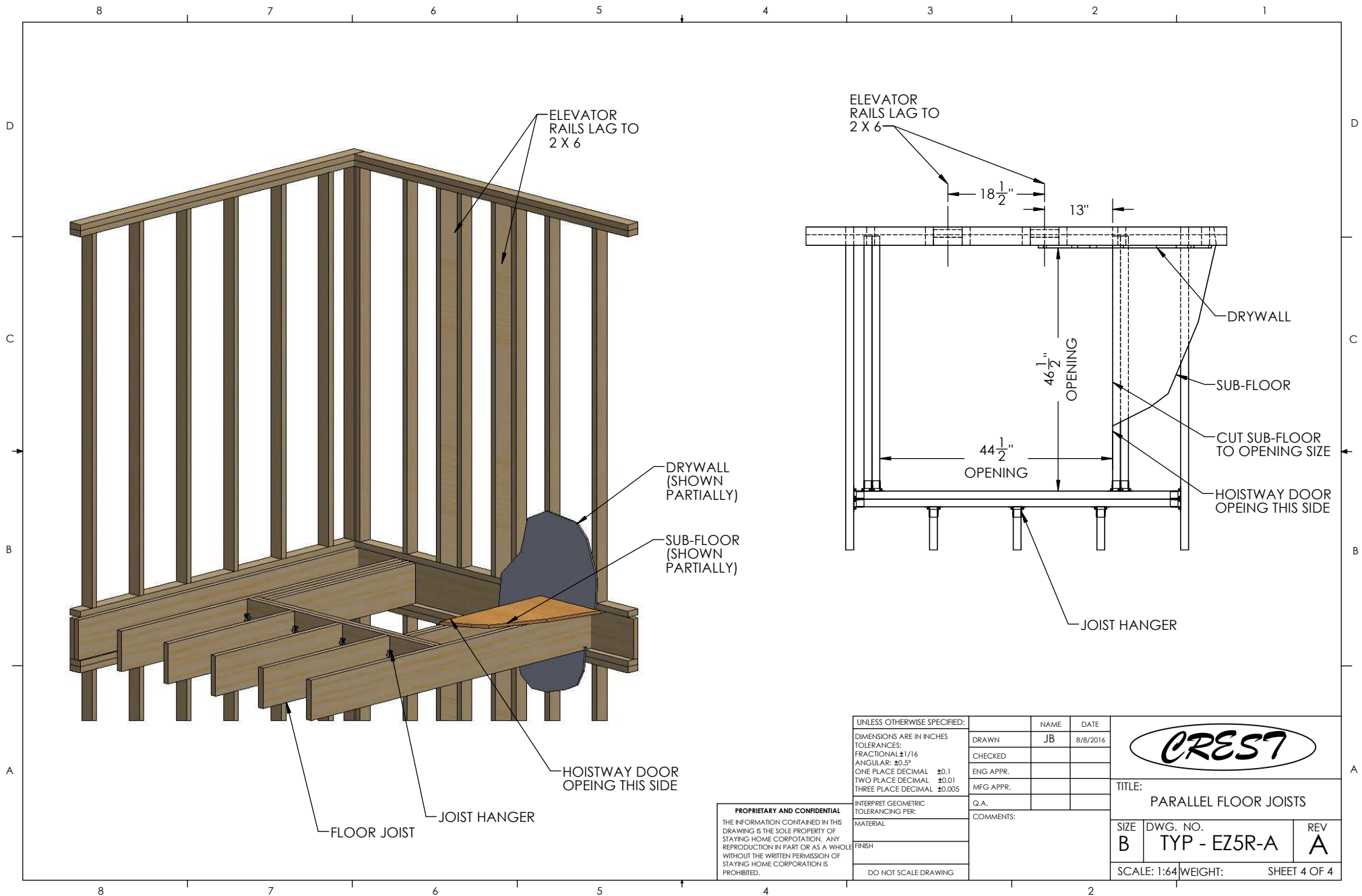
UNLESS OTHERWISE SPECIFIED:	NAME	DATE
DIMENSIONS ARE IN INCHES	JB	8/8/2016
TOLERANCES:		
FRACTIONAL: ±1/16	DRAWN	
ANGULAR: ±0.5°	CHECKED	
ONE PLACE DECIMAL ±0.1	ENG APPR.	
TWO PLACE DECIMAL ±0.01	MFG APPR.	
THREE PLACE DECIMAL ±0.005	Q.A.	
INTERPRET GEOMETRIC TOLERANCING PER:	COMMENTS:	
MATERIAL		
FINISH		
DO NOT SCALE DRAWING		



TITLE: PERPENDICULAR FLOOR JOISTS

SIZE	DWG. NO.	REV
B	TYP - EZ5R-A	A

SCALE: 1:64 WEIGHT: SHEET 3 OF 4



UNLESS OTHERWISE SPECIFIED:		NAME	DATE
DIMENSIONS ARE IN INCHES		DRAWN	JB 8/8/2016
TOLERANCES:		CHECKED	
FRACTIONAL: ±1/16		ENG APPR.	
ANGULAR: ±0.5°		MFG APPR.	
ONE PLACE DECIMAL ±0.1		Q.A.	
TWO PLACE DECIMAL ±0.01		COMMENTS:	
THREE PLACE DECIMAL ±0.005			
INTERPRET GEOMETRIC TOLERANCING PER:		TITLE: PARALLEL FLOOR JOISTS	
MATERIAL		SIZE	DWG. NO.
FINISH		B	TYP - EZ5R-A
DO NOT SCALE DRAWING		REV	A
		SCALE: 1:64 WEIGHT: SHEET 4 OF 4	

**PROPRIETARY AND CONFIDENTIAL**  
 THE INFORMATION CONTAINED IN THIS DRAWING IS THE SOLE PROPERTY OF STAYING HOME CORPORATION. ANY REPRODUCTION IN PART OR AS A WHOLE WITHOUT THE WRITTEN PERMISSION OF STAYING HOME CORPORATION IS PROHIBITED.